



**Product Approval**  
USER: Public User

[Product Approval Menu](#) > [Product or Application Search](#) > [Application List](#) > **Application Detail**

OFFICE OF THE  
SECRETARY

FL # FL17977  
 Application Type New  
 Code Version 2014  
 Application Status Approved  
 \*Approved by DBPR. Approvals by DBPR shall be reviewed and ratified by the POC and/or the Commission if necessary.

Comments  
 Archived

Product Manufacturer SIW Impact Windows, LLC.  
 Address/Phone/Email 975 S. Congress Ave. #102  
 Delray Beach, FL 33445  
 (561) 274-9392  
 ALOPEZ@SIWIMPACTWINDOWS.COM

Authorized Signature Javad Ahmad  
 alfarooq@afceng.com

Technical Representative Chris McDonald  
 Address/Phone/Email 975 S. Congress Ave  
 Suite 102  
 Delray Beach, FL 33445  
 (561) 274-9392  
 cmcdonald@siwimpactwindows.com

Quality Assurance Representative William Fernandez  
 Address/Phone/Email 975 S. Congress Ave  
 Suite 102  
 Delray Beach, FL 33445  
 (561) 274-9392  
 wfernandez@siwimpactwindows.com

Category Exterior Doors  
 Subcategory Swinging Exterior Door Assemblies

Compliance Method Certification Mark or Listing

Certification Agency Miami-Dade BCCO - CER  
 Validated By Miami-Dade BCCO - VAL

Referenced Standard and Year (of Standard)	<b>Standard</b>	<b>Year</b>
	TAS 201	1994
	TAS 202	1994
	TAS 203	1994

Equivalence of Product Standards  
 Certified By

Product Approval Method

Method 1 Option A

Date Submitted

08/20/2015

Date Validated

09/04/2015

Date Pending FBC Approval

Date Approved

09/10/2015

**Summary of Products**

FL #	Model, Number or Name	Description
17977.1	Series "500-10" Single Aluminum Outswing Doors w/wo Sidelite	Large missile impact resistant single aluminum outswing door w/wo sidelite.
<b>Limits of Use</b> <b>Approved for use in HVHZ:</b> Yes <b>Approved for use outside HVHZ:</b> Yes <b>Impact Resistant:</b> Yes <b>Design Pressure:</b> +55/-55 <b>Other:</b> See attached NOA# 14-0305.08 and Limitations Of Use for installation instructions.		<b>Certification Agency Certificate</b> <a href="#">FL17977 R0 C CAC 500-10 Single Aluminum Outswing Doors w-wo Sidelite (LMI) NOA 14-0305.08.pdf</a> <b>Quality Assurance Contract Expiration Date</b> 05/22/2018 <b>Installation Instructions</b> <a href="#">FL17977 R0 II 500-10 Single Aluminum Outswing Doors w-wo Sidelite (LMI) NOA 14-0305.08.pdf</a> <a href="#">FL17977 R0 II Limitations Of Use.pdf</a> Verified By: Miami-Dade BCCO - CER Created by Independent Third Party: <b>Evaluation Reports</b> Created by Independent Third Party:
17977.2	Series "500-11" Aluminum Outswing Doors w/wo Sidelite	Large missile impact resistant aluminum outswing door w/wo sidelite.
<b>Limits of Use</b> <b>Approved for use in HVHZ:</b> Yes <b>Approved for use outside HVHZ:</b> Yes <b>Impact Resistant:</b> Yes <b>Design Pressure:</b> +50/-50 <b>Other:</b> See attached NOA# 14-0305.07 and Limitations Of Use for installation instructions.		<b>Certification Agency Certificate</b> <a href="#">FL17977 R0 C CAC 500-11 Aluminum Outswing Doors w-wo Sidelite (LMI) NOA 14-0305.07.pdf</a> <b>Quality Assurance Contract Expiration Date</b> 05/22/2018 <b>Installation Instructions</b> <a href="#">FL17977 R0 II 500-11 Aluminum Outswing Doors w-wo Sidelite (LMI) NOA 14-0305.07.pdf</a> <a href="#">FL17977 R0 II Limitations Of Use.pdf</a> Verified By: Miami-Dade BCCO - CER Created by Independent Third Party: <b>Evaluation Reports</b> Created by Independent Third Party:
17977.3	Series "525-11" Aluminum Inswing Doors	Large missile impact resistant aluminum inswing door.
<b>Limits of Use</b> <b>Approved for use in HVHZ:</b> Yes <b>Approved for use outside HVHZ:</b> Yes <b>Impact Resistant:</b> Yes <b>Design Pressure:</b> +50/-50 <b>Other:</b> See attached NOA# 14-0325.07 and Limitations Of Use for installation instructions.		<b>Certification Agency Certificate</b> <a href="#">FL17977 R0 C CAC 525-11 Aluminum Inswing Doors (LMI) NOA 14-0325.07.pdf</a> <b>Quality Assurance Contract Expiration Date</b> 05/22/2018 <b>Installation Instructions</b> <a href="#">FL17977 R0 II 525-11 Aluminum Inswing Doors (LMI) NOA 14-0325.07.pdf</a> <a href="#">FL17977 R0 II Limitations Of Use.pdf</a> Verified By: Miami-Dade BCCO - CER Created by Independent Third Party: <b>Evaluation Reports</b> Created by Independent Third Party:
17977.4	Series "S-900" Single Aluminum Outswing Pivot Doors	Large missile impact resistant single aluminum outswing pivot door.
<b>Limits of Use</b> <b>Approved for use in HVHZ:</b> Yes <b>Approved for use outside HVHZ:</b> Yes <b>Impact Resistant:</b> Yes <b>Design Pressure:</b> +50/-50 <b>Other:</b> See attached NOA# 14-0926.13 and Limitations Of Use for installation instructions.		<b>Certification Agency Certificate</b> <a href="#">FL17977 R0 C CAC S-900 Single Aluminum Outswing Pivot Doors (LMI) NOA 14-0926.13.pdf</a> <b>Quality Assurance Contract Expiration Date</b> 02/19/2020 <b>Installation Instructions</b> <a href="#">FL17977 R0 II Limitations Of Use.pdf</a> <a href="#">FL17977 R0 II S-900 Single Aluminum Outswing Pivot Doors (LMI) NOA 14-0926.13.pdf</a> Verified By: Miami-Dade BCCO - CER Created by Independent Third Party: <b>Evaluation Reports</b> Created by Independent Third Party:

[Back](#)[Next](#)

[Contact Us](#) :: [2601 Blair Stone Road, Tallahassee FL 32399](#) [Phone: 850-487-1824](#)

The State of Florida is an AA/EEO employer. [Copyright 2007-2013 State of Florida](#). :: [Privacy Statement](#) :: [Accessibility Statement](#) :: [Refund Statement](#)

Under Florida law, email addresses are public records. If you do not want your e-mail address released in response to a public-records request, do not send electronic mail to this entity. Instead, contact the office by phone or by traditional mail. If you have any questions, please contact 850.487.1395. \*Pursuant to Section 455.275(1), Florida Statutes, effective October 1, 2012, licensees licensed under Chapter 455, F.S. must provide the Department with an email address if they have one. The emails provided may be used for official communication with the licensee. However email addresses are public record. If you do not wish to supply a personal address, please provide the Department with an email address which can be made available to the public. To determine if you are a licensee under Chapter 455, F.S., please click [here](#).

**Product Approval Accepts:**





DEPARTMENT OF REGULATORY AND ECONOMIC RESOURCES (RER)  
BOARD AND CODE ADMINISTRATION DIVISION

**NOTICE OF ACCEPTANCE (NOA)**

MIAMI-DADE COUNTY  
PRODUCT CONTROL SECTION  
11805 SW 26 Street, Room 208  
Miami, Florida 33175-2474  
T (786) 315-2590 F (786) 315-2599  
[www.miamidade.gov/economy](http://www.miamidade.gov/economy)

**SIW Impact Windows, LLC**  
975 S. Congress Ave. # 102  
Delray Beach, Florida 33445

**SCOPE:**

This NOA is being issued under the applicable rules and regulations governing the use of construction materials. The documentation submitted has been reviewed and accepted by Miami-Dade County RER -Product Control Section to be used in Miami Dade County and other areas where allowed by the Authority Having Jurisdiction (AHJ).

This NOA shall not be valid after the expiration date stated below. The Miami-Dade County Product Control Section (In Miami Dade County) and/or the AHJ (in areas other than Miami Dade County) reserve the right to have this product or material tested for quality assurance purposes. If this product or material fails to perform in the accepted manner, the manufacturer will incur the expense of such testing and the AHJ may immediately revoke, modify, or suspend the use of such product or material within their jurisdiction. RER reserves the right to revoke this acceptance, if it is determined by Miami-Dade County Product Control Section that this product or material fails to meet the requirements of the applicable building code.

This product is approved as described herein, and has been designed to comply with the Florida Building Code, including the High Velocity Hurricane Zone.

**DESCRIPTION: Series "S-900 " Single Aluminum Outswing Pivot Doors -LMI**

**APPROVAL DOCUMENT:** Drawing No. **W14-30 Rev B**, titled "Series 900 Alum Outswing Pivot Door (L.M.I.)", sheets 1 through 6 of 6, dated 08-29-14 and last revised on FEB 11<sup>th</sup>, 2015, prepared by Al-Farooq Corporation, signed and sealed by Javad Ahmad, P. E., bearing the Miami-Dade County Product Control Approval stamp with the Notice of Acceptance number and approval date by the Miami-Dade County Product Control Section.

**MISSILE IMPACT RATING: Large and Small Missile Impact**

**Limitations:**

1. Door is not rated for water infiltration, unless overhang complying per FBC is provided or used where water infiltration is not required.
2. Glass lites wider than 36" shall have two setting blocks per FBC requirements.

**LABELING:** Each unit shall bear a permanent label with the manufacturer's name or logo, city, state and series and following statement: "Miami-Dade County Product Control Approved", noted herein.

**RENEWAL** of this NOA shall be considered after a renewal application has been filed and there has been no change in the applicable building code negatively affecting the performance of this product.

**TERMINATION** of this NOA will occur after the expiration date or if there has been a revision or change in the materials, use, and/or manufacture of the product or process. Misuse of this NOA as an endorsement of any product, for sales, advertising or any other purposes shall automatically terminate this NOA. Failure to comply with any section of this NOA shall be cause for termination and removal of NOA.

**ADVERTISEMENT:** The NOA number preceded by the words Miami-Dade County, Florida, and followed by the expiration date may be displayed in advertising literature. If any portion of the NOA is displayed, then it shall be done in its entirety.

**INSPECTION:** A copy of this entire NOA shall be provided to the user by the manufacturer or its distributors and shall be available for inspection at the job site at the request of the Building Official.

This NOA consists of this page 1 and evidence page E-1, as well as approval document mentioned above. The submitted documentation was reviewed by **Ishaq I. Chanda, P.E.**



NOA No. 14-0926.13  
Expiration Date: February 19, 2020  
Approval Date: February 19, 2015  
Page 1

Handwritten signature and date: 2/13/15

**NOTICE OF ACCEPTANCE: EVIDENCE SUBMITTED**

**A. DRAWINGS**

1. Manufacturer's die drawings and sections.
2. Drawing No. **W14-30 Rev B**, titled "Series 900 Alum Outswing Pivot Door (L.M.I.)", sheets 1 through 6 of 6, dated 08-29-14 and last revised on FEB 11<sup>th</sup>, 2015, prepared by Al-Farooq Corporation, signed and sealed by Javad Ahmad, P.E.

**B. TESTS**

1. Test reports on:
  - 1) Air Infiltration Test, per FBC, TAS 202-94 (0.25 cfm/sq@1.57 PSF)
  - 2) Uniform Static Air Pressure Test, Loading per FBC TAS 202-94
  - 3) Water Resistance Test, per FBC, TAS 202-94 (Not conducted)
  - 4) Large Missile Impact Test per FBC, TAS 201-94
  - 5) Cyclic Wind Pressure Loading per FBC, TAS 203-94
  - 6) Forced Entry Test, per FBC 2411 3.2.1, TAS 202-94

Along with installation diagram of Single Aluminum Outswing Pivot doors, prepared by Black Water Testing Inc., Test reports # **BT-SIW-14-015 A, B, C, D & E**, dated July 25, 2014, all signed and sealed by Yamil Kuri, P.E.

Note: The test reports #**BT-SIW-14-015** has been revised by an addendum letter dated 01/09/15, issued by Black Water Testing Inc., signed and sealed by Yamil Kuri, P.E.

**C. CALCULATIONS**

1. Anchor verification calculations complying with FBC 2014, prepared by Al-Farooq Corporation, dated SEP 04, 2014 and last revised on JAN 02, 2015, signed and sealed by Javad Ahmad, P.E.
2. Glazing complies w/ ASTME-1300-04 & -09

**D. QUALITY ASSURANCE**

1. Miami Dade Department of Regulatory and Economic Resources (RER).

**E. MATERIAL CERTIFICATIONS**

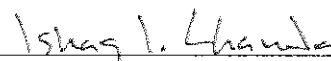
1. Notice of Acceptance No. **11-0624.02** issued to E.I. DuPont DeNemours & Co., Inc. for their "DuPont Sentry Glass ® interlayer", expiring on 01/14/17.

**F. STATEMENTS**

1. Statement letter of conformance to FBC 2014 (**5<sup>th</sup> Edition**) and letter of no financial interest, prepared by Al Farooq Corporation, dated 08/27/14, signed and sealed by Javad Ahmad, P.E.
2. Lab compliance as part of the above referenced test reports.
3. Addendum letter dated 01/09/15, along technical cut sheets of hardware and extrusion Die drawings for test report # **BT-SIW-14-015**, issued by Black Water Testing Inc., signed and sealed by Yamil Kuri, P.E.

**G. OTHER**

1. None.



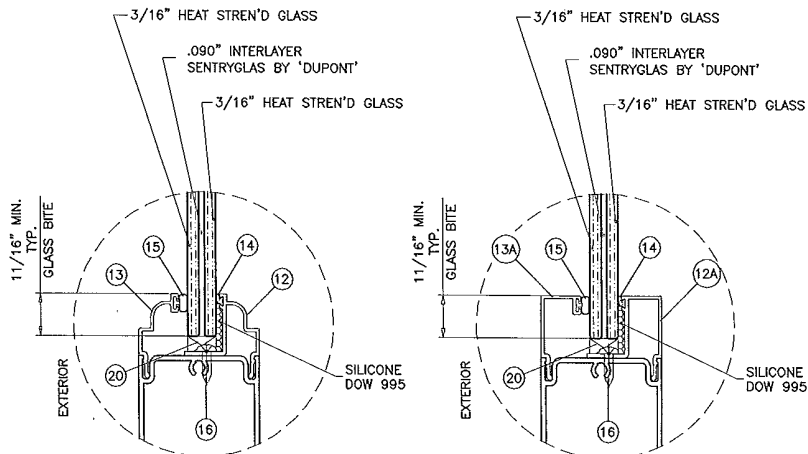
Ishaq I. Chanda, P.E.

Product Control Examiner

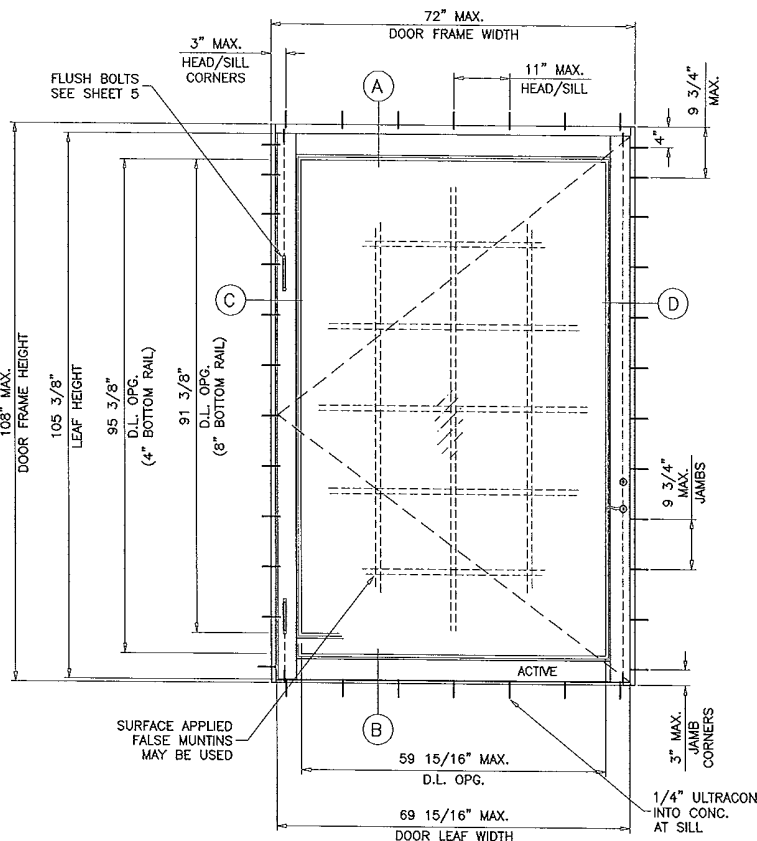
NOA No. 14-0926.13

Expiration Date: February 19, 2020

Approval Date: February 19, 2015



**GLAZING DETAILS**  
7/16" OVERALL LAM. GLASS



**TYPICAL ELEVATION**

MAXIMUM DESIGN LOAD RATING = + 50.0 PSF  
(FOR MAX. SIZE SHOWN ABOVE OR SMALLER) - 50.0 PSF  
AS PERMITTED BY FBC REQUIREMENTS

NOTE:  
GLASS CAPACITIES ON THIS SHEET ARE  
BASED ON ASTM E1300-09 (3 SEC. GUSTS)  
AND FLORIDA BUILDING COMMISSION  
DECLARATORY STATEMENT DCA05-DEC-219

Engr: JAVAD AHMAD  
CML  
FLA. PE # 70592  
C.A.N. 3538

FEB 11 2015

Approved as complying with the  
Florida Building Code  
Date: FEB 11 2015  
By: JAVAD AHMAD  
Mand. State Register  
By: [Signature]

NOTE:  
APPLICABLE EGRESS REQUIREMENTS TO BE REVIEWED BY AHJ.

GLASS D.L.O. FORMULAE:  
D.L.O. WIDTH = FRAME WIDTH - 12.0625"  
D.L.O. HEIGHT = FRAME HEIGHT - 12.625" (4" BOTTOM RAIL)  
= FRAME HEIGHT - 16.625" (8" BOTTOM RAIL)

THESE DOORS ARE RATED FOR LARGE & SMALL MISSILE IMPACT.  
SHUTTERS ARE NOT REQUIRED.

**SERIES 900**

**ALUMINUM OUTSWING PIVOT DOOR**

THIS PRODUCT HAS BEEN DESIGNED AND TESTED TO COMPLY WITH THE REQUIREMENTS OF THE FLORIDA BUILDING CODE INCLUDING HIGH VELOCITY HURRICANE ZONE (HVHZ).

1BY OR 2BY WOOD BUCKS BY OTHERS, MUST BE ANCHORED PROPERLY TO TRANSFER LOADS TO THE STRUCTURE.

ANCHORS SHALL BE AS LISTED, SPACED AS SHOWN ON DETAILS, ANCHORS EMBEDMENT TO BASE MATERIAL SHALL BE BEYOND WALL DRESSING OR STUCCO.

ANCHORING OR LOADING CONDITIONS NOT SHOWN IN THESE DETAILS ARE NOT PART OF THIS APPROVAL.

A LOAD DURATION INCREASE IS USED IN DESIGN OF ANCHORS INTO WOOD ONLY.

ALL SHIMS TO BE HIGH IMPACT, NON-METALLIC AND NON-COMPRESSIBLE.

MATERIALS INCLUDING BUT NOT LIMITED TO STEEL/METAL SCREWS, THAT COME INTO CONTACT WITH OTHER DISSIMILAR MATERIALS SHALL MEET THE REQUIREMENTS OF THE FLORIDA BUILDING CODE.

DOORS NOT APPROVED FOR INSTALLATIONS WHERE WATER INFILTRATION RESISTANCE IS REQUIRED.

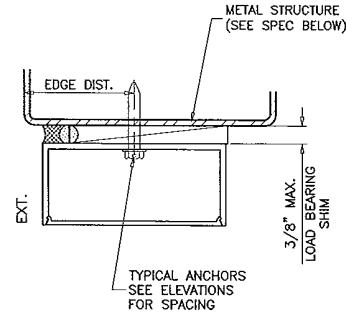
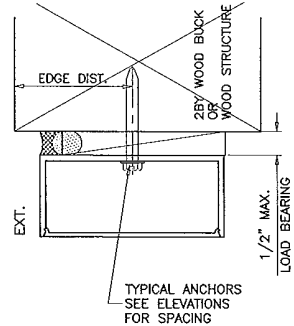
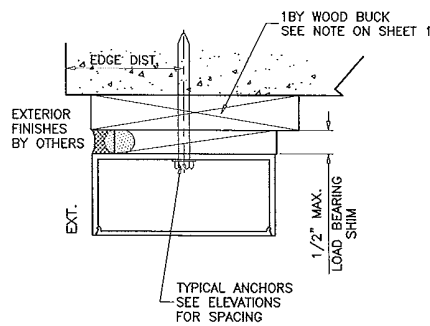
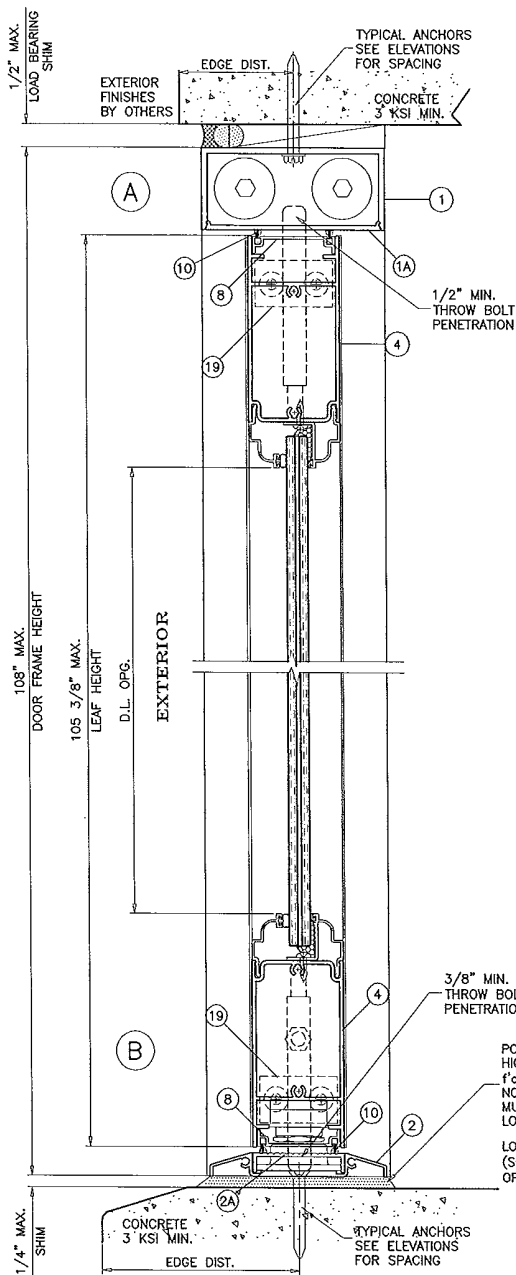
**af c**  
**AL-FAROOQ CORPORATION**  
ENGINEERS & PRODUCT DEVELOPMENT  
1235 S.W. 87 AVE  
MIAMI, FLORIDA 33174  
TEL: (305) 264-8100 FAX: (305) 262-6978  
COMP-ANL W14-30SIW

SERIES 900 ALUM OUTSWING PIVOT DOOR (L.M.I.)  
**SIW IMPACT WINDOWS, LLC.**  
975 S. CONGRESS AVE. #102  
DELRAY BEACH, FL 33445  
TEL: (561) 274-9382 FAX: (561) 274-9282

revision:	no	date	description
A	01.20.15		REV. PER REP COMMENTS
B	02.10.15		REV. PER REP COMMENTS

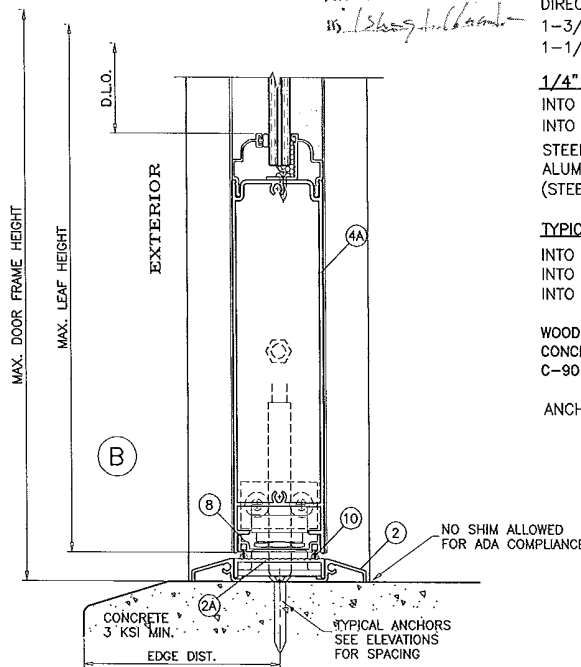
date: 08-29-14  
scale: 1/2" = 1'-0"  
dr. by: TARIQ  
chk. by:

drawing no.  
**W14-30**  
sheet 1 of 6



WOOD BUCKS AND METAL STRUCTURE NOT BY SIW WINDOWS MUST SUSTAIN LOADS IMPOSED BY GLAZING SYSTEM AND TRANSFER THEM TO THE BUILDING STRUCTURE.

*Approved as complying with the Florida Building Code*  
 Date: 2/19/15  
 By: [Signature]  
 Title: [Signature]



**TYPICAL ANCHORS:** SEE ELEV. FOR SPACING

**1/4" DIA. ULTRACON BY 'ELCO'** (Fu=177 KSI, Fy=155 KSI)  
 MIN. LENGTH = 2-3/4"

INTO 2BY WOOD BUCKS OR WOOD STRUCTURES  
 1-1/2" MIN. PENETRATION INTO WOOD (HEAD/JAMBS)

THRU 1BY BUCKS INTO CONC. OR MASONRY  
 1-3/4" MIN. EMBED INTO CONCRETE (HEAD)  
 1-1/4" MIN. EMBED INTO CONC. OR MASONRY (JAMBS)

**1/4" DIA. ULTRACON BY 'ELCO'** (Fu=177 KSI, Fy=155 KSI)  
 DIRECTLY INTO CONC. OR MASONRY  
 1-3/4" MIN. EMBED INTO CONCRETE (HEAD/SILL)  
 1-1/4" MIN. EMBED INTO CONC. OR MASONRY (JAMBS)

**1/4" DIA. SELF DRILLING SCREWS** (Fu=120 KSI, Fy=90 KSI)  
 INTO MIAMI-DADE COUNTY APPROVED MULLIONS (MIN. THK. = 1/8")  
 INTO METAL STRUCTURES (HEAD/JAMBS)  
 STEEL : 12 GA. MIN. (Fy = 36 KSI MIN.)  
 ALUMINUM : 1/8" THK. MIN. (6063-T5 MIN.)  
 (STEEL IN CONTACT WITH ALUMINUM TO BE PLATED OR PAINTED)

**TYPICAL EDGE DISTANCE**

INTO CONCRETE AND MASONRY = 2-1/2" MIN.  
 INTO WOOD STRUCTURE = 1" MIN.  
 INTO METAL STRUCTURE = 3/4" MIN.

WOOD AT HEAD OR JAMBS SG = 0.55 MIN.  
 CONCRETE AT HEAD, SILL OR JAMBS f'c = 3000 PSI MIN.  
 C-90 HOLLOW/FILLED BLOCK AT JAMBS f'm = 2000 PSI MIN.

ANCHORS MAY BE HEX OR FLAT HEAD.

Engr: JAVAD AHMAD  
 CML  
 FLA. PE # 70592  
 C.A.N. 3538  
 FEB 11 2015

**afc**  
**AL-FAROOQ CORPORATION**  
 ENGINEERS & PRODUCT DEVELOPMENT  
 12395 S.W. 87 AVE  
 MIAMI, FLORIDA 33174  
 TEL. (305) 264-8100 FAX. (305) 262-6978

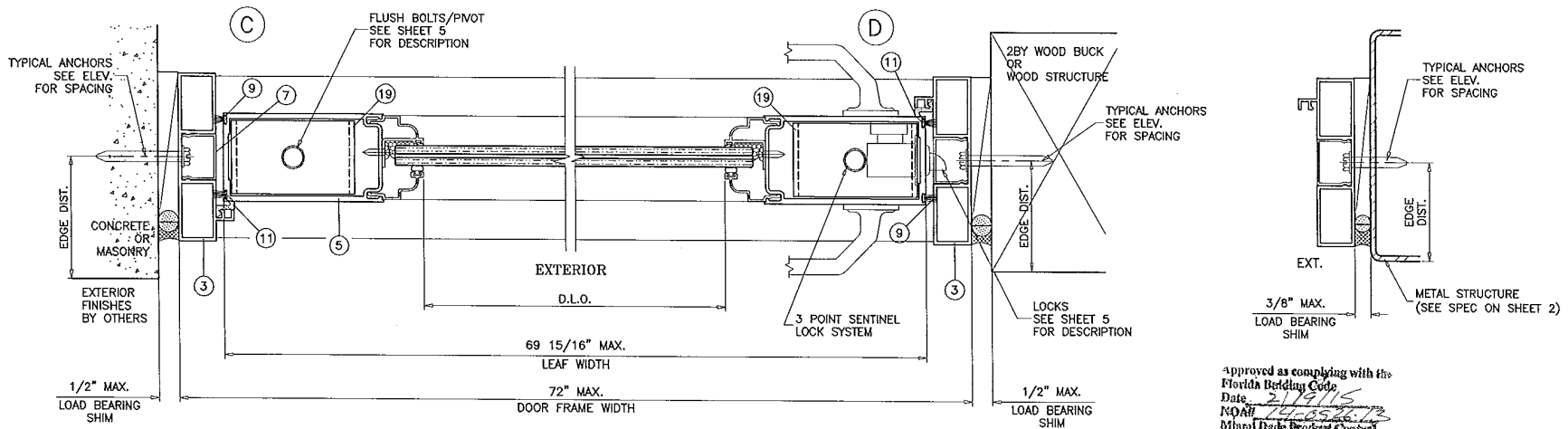
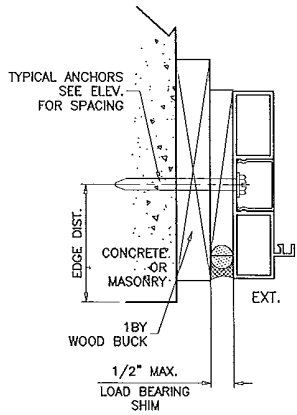
SERIES 900 ALUM. OUTSWING PIVOT DOOR (L.M.I.)  
**SIW IMPACT WINDOWS, LLC.**  
 975 S. CONGRESS AVE. #102  
 DELRAY BEACH, FL 33445  
 TEL. (561) 274-9392 FAX. (561) 274-9262

NO.	DATE	DESCRIPTION
A	01.20.15	REV. PER PER COMMENTS
B	02.10.15	REV. PER PER COMMENTS

date: 08-29-14  
 scale: 3/8" = 1"  
 dr. by: TARIQ  
 chk. by:

drawing no.  
**W14-30**  
 sheet 2 of 6

COMP-ANL W14-30SIW



Approved as complying with the  
Florida Building Code  
Date: 2/19/15  
By: JAVAD AHMAD  
Miami Data Product Control

Engr: JAVAD AHMAD  
CML  
FLA. PE # 70592  
C.A.N. 3538

FEB 11 2015

**afc**  
AL-FAROOQ CORPORATION  
ENGINEERS & PRODUCT DEVELOPMENT  
12395 S.W. 87 AVE.  
MIAMI, FLORIDA 33174  
TEL. (305) 264-8300 FAX. (305) 262-6978  
COMP-ANL\W14-30SIW

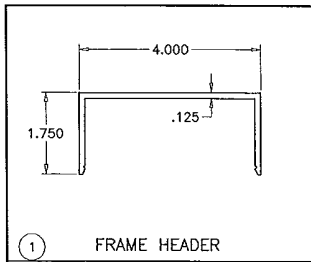
SERIES 900 ALUM OUTSWING PIVOT DOOR (L.M.I.)  
SIW IMPACT WINDOWS, LLC.  
975 S. CONGRESS AVE. #102  
DELRAY BEACH, FL. 33445  
TEL. (561) 274-9392 FAX. (561) 274-9282

NO.	DATE	BY	DESCRIPTION
A	01.20.15		REV. PER PER COMMENTS
B	02.10.15		REV. PER PER COMMENTS

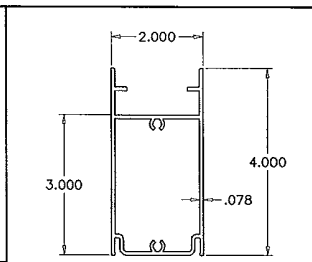
date: 08-29-14  
scale: 3/8" = 1"  
dr. by: TARIQ  
chk. by:

drawing no.  
W14-30  
sheet 3 of 6

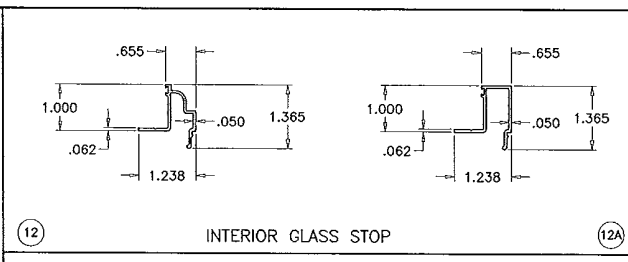




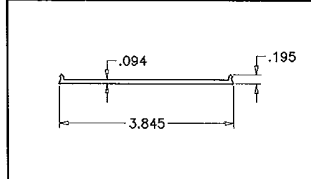
1 FRAME HEADER



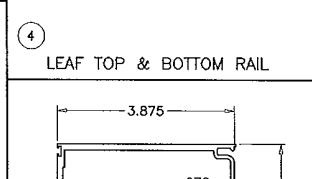
4 LEAF TOP & BOTTOM RAIL



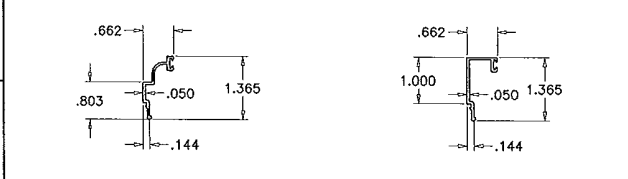
12 INTERIOR GLASS STOP



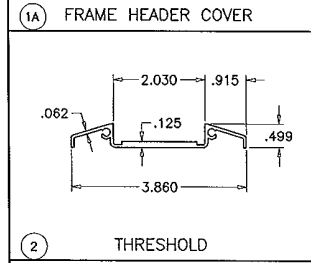
1A FRAME HEADER COVER



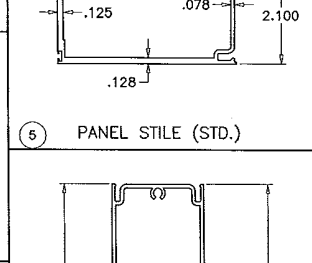
5 PANEL STILE (STD.)



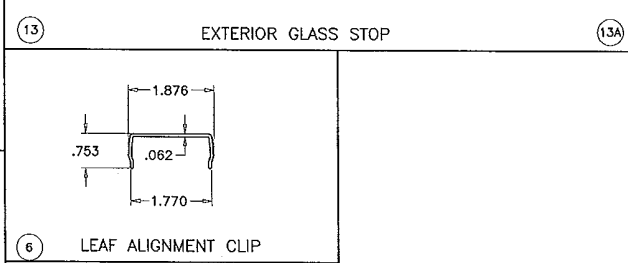
13 EXTERIOR GLASS STOP



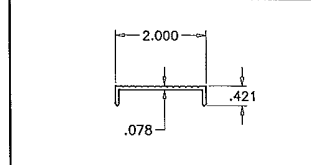
2 THRESHOLD



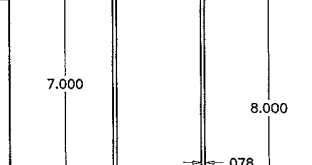
4A LEAF HI-PROFILE BOTTOM RAIL



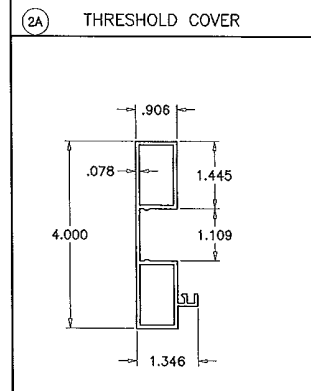
6 LEAF ALIGNMENT CLIP



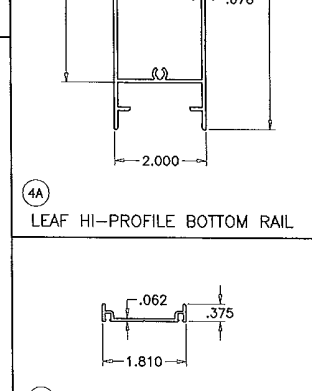
2A THRESHOLD COVER



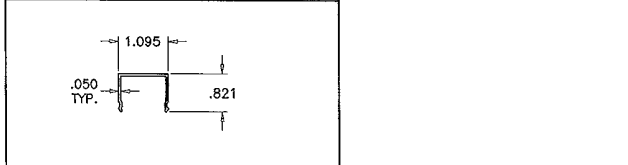
7 JAMB SNAP COVER



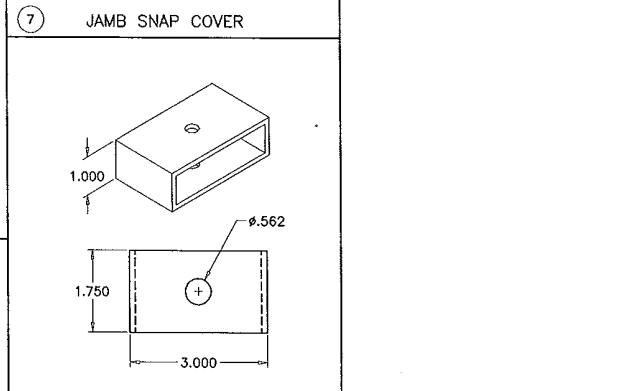
3 FRAME JAMB



8 BOTTOM RAIL SWEEP ADAPTER



6 LEAF SNAP COVER



19 FLUSH BOLT BLOCK

Approved as complying with the Florida Building Code  
 Date: 2/11/15  
 NDAM: [Signature]  
 Miami Date Product Control  
 By: [Signature]

Engr: JAVAD AHMAD  
 CML  
 FLA. PE # 70592  
 C.A.N. 3538  
 FEB 11 2015

**afc**  
**AL-FAROOQ CORPORATION**  
 ENGINEERS & PRODUCT DEVELOPMENT  
 1235 S.W. 87 AVE  
 MIAMI, FLORIDA 33174  
 TEL: (305) 264-8100 FAX: (305) 262-6978  
 COMP-ANL/W14-30SIW

SERIES 900 ALUM OUTSWING PIVOT DOOR (L.M.I.)  
**SIW IMPACT WINDOWS, LLC.**  
 975 S. CONGRESS AVE. #102  
 DELRAY BEACH, FL 33445  
 TEL: (561) 274-9392 FAX: (561) 274-9282

revisions:	no	date	by	description
	A	01:20:15		NO CHANGE THIS SHEET
	B	02:10:15		NO CHANGE THIS SHEET

date: 08-29-14  
 scale: 3/8" = 1"  
 dr. by: TARIQ  
 chk. by:

drawing no.  
**W14-30**  
 sheet 4 of 6

ITEM #	PART #	REQD.	DESCRIPTION	MATERIAL	MANF./SUPPLIER/REMARKS
1	SIW901	1	FRAME HEADER	6063-T6	SIW SELECTED EXTRUDER
1A	SIW902	1	FRAME HEADER COVER	6063-T6	SIW SELECTED EXTRUDER
2	SIW904	1	THRESHOLD	6063-T6	SIW SELECTED EXTRUDER
2A	SIW905	1	THRESHOLD COVER	6063-T6	SIW SELECTED EXTRUDER
3	SIW903	2	FRAME JAMB	6063-T6	SIW SELECTED EXTRUDER
4	SIW805	2/ PANEL	LEAF TOP & BOTTOM RAIL	6063-T6	SIW SELECTED EXTRUDER
4A	SIW814	1	HI-PROFILE LEAF BOTTOM RAIL	6063-T6	SIW SELECTED EXTRUDER
5	SIW908	2/ PANEL	LEAF STILE	6063-T6	SIW SELECTED EXTRUDER
6	SIW807	AS REQD.	LEAF ALIGNMENT CLIP	6063-T6	SIW SELECTED EXTRUDER
7	SIW806	AS REQD.	JAMB SNAP COVER	6063-T6	SIW SELECTED EXTRUDER
8	SIW809	1/ PANEL	TOP & BOTTOM RAIL SWEEP ADAPTER	6063-T6	SIW SELECTED EXTRUDER
9	W23201	AS REQD.	FIN SEAL PILE W'STRIPPING	POLYPROPYLENE	ULTRAFAB
10	1104-5601-9	AS REQD.	W'STRIPPING SK560-SKIRT	POLYPROPYLENE	SCHLEGEL
11	QWS21	AS REQD.	COMPRESSION W'STRIPPING	Q-LON	SCHLEGEL
12	SIW512	AS REQD.	INTERIOR GLASS STOP	6063-T5	SIW SELECTED EXTRUDER
12A	SIW540	AS REQD.	INTERIOR GLASS STOP SQUARE	6063-T5	SIW SELECTED EXTRUDER
13	SIW513	AS REQD.	EXTERIOR GLASS STOP	6063-T6	SIW SELECTED EXTRUDER
13A	SIW541	AS REQD.	EXTERIOR GLASS STOP SQUARE	6063-T6	SIW SELECTED EXTRUDER
14	5530	AS REQD.	INTERIOR GLAZING GASKET (DUROMETER 70±5)	SANTOPRENE	CENTRAL PLASTICS
15	5531	AS REQD.	EXTERIOR GLAZING GASKET (DUROMETER 70±5)	SANTOPRENE	CENTRAL PLASTICS
16	#8 X 1/2"	AS REQD.	GLASS STOP SCREWS SELF DRILLING	-	AT 6" FROM ENDS & 14" O.C.
17	#12 X 1-1/2"	AS REQD.	FRAME AND LEAF ASSEMBLY SCREWS	ST. STEEL	HWH SMS
18	#12 X 1/2"	AS REQD.	FRAME ASSEMBLY SCREWS	ST. STEEL	FH MS
19	SIW521	-	FLUSH BOLT BLOCK	6063-T6	SIW SELECTED EXTRUDER
20	-	2/ LITE	SETTING BLOCKS, AT 1/4 POINTS	EPDM	DUROMETER 85±5 SHORE A

### DOOR HARDWARE

#### 3 POINT LOCKS AT LOCK STILE

3 POINT SENTINEL LOCK SYSTEM (W5110-STATC6) BY 'ASHLAND' WITH ACTIVATING HANDLE AT 36" FROM BOTTOM FASTENED TO STILE WITH (2) #10 X 1/2" MACHINE SCREWS AND NUTS  
HANDLE ACTIVATES DEAD BOLT AND SHOOT BOLTS ENGAGING AT HEAD AND SILL  
1/2" DIA. BULLET TIPS SHOOT BOLTS CONNECTED TO LOCK WITH 5/16" DIA. THREADED RODS

#### FLUSH BOLT AND PIVOTS AT PIVOT STILE

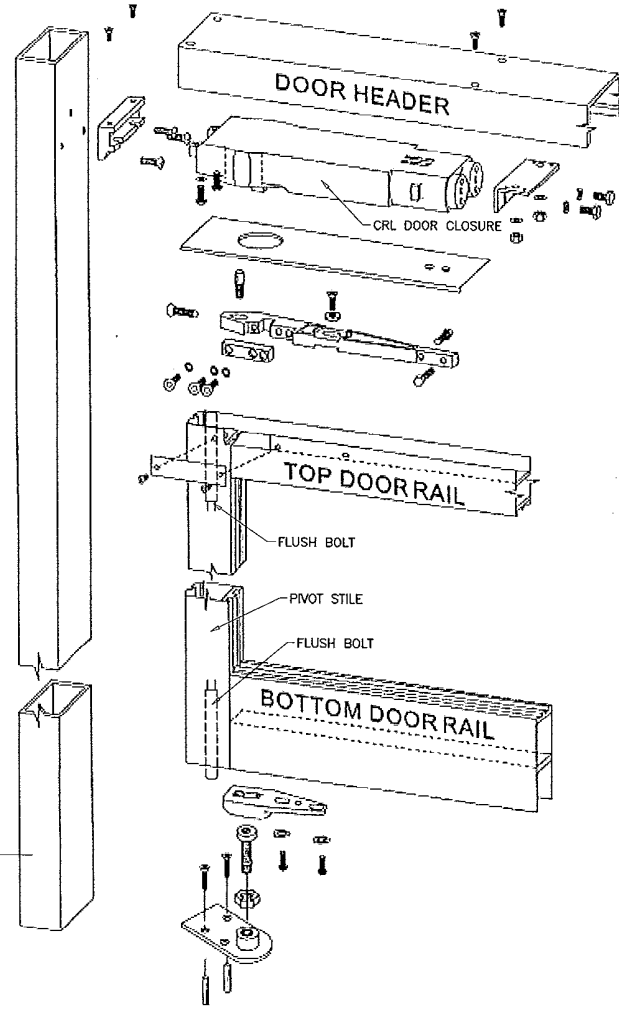
FLUSH BOLTS (FBR-1202) BY 'SULLIVAN & ASSOC.' MANUALLY OPERATED LEVERS AT 27" FROM TOP AND 12" FROM BOTTOM ACTIVATES FLUSH BOLTS PROTRUDING 1/2" INTO HEAD AND 3/8" INTO SILL  
1/2" DIA. BULLET TIPS FLUSH BOLTS CONNECTED TO LEVERS WITH 5/16" DIA. THREADED ROD.

CRL 105 DEGREE HOLD OPEN ADJUSTABLE SPRING POWER OVERHEAD CONCEALED DOOR CLOSER 'S' PACKAGE (#CRL8770S) BY 'C. R. LAURENCE' ATTACHED TO HEADER WITH (4) 1/4-20 X 1-1/4" PFH MACHINE SCREWS.  
BOTTOM PIVOT ATTACHED TO FRAME SILL WITH (2) #12 X 5/8" SELF DRILLING SCREWS

ELECTRICAL FUNCTION IS NOT PART OF THIS APPROVAL.

#### SEALANT:

ALL JOINTS AND FRAME CONNECTIONS SEALED WITH 'SCHNEE-MOREHEAD 5504' SEAM SEALER.



CRL CLOSURE WITH BOTTOM PIVOT

Approved as complying with the  
Florida Building Code  
Date: 2/11/15  
RQA: [Signature]  
Miami Dade Product Control  
By: [Signature]

Engr: JAVAD AHMAD  
CIVIL  
FLA. PE # 70592  
C.A.N. 3538  
FEB 11 2015

afc

**AL-FAROOQ CORPORATION**  
ENGINEERS & PRODUCT DEVELOPMENT  
1235 S.W. 87 AVE  
MIAMI, FLORIDA 33174  
TEL: (305) 264-9100 FAX: (305) 262-6978

---

SERIES 900 ALUM OUTSWING PIVOT DOOR (L.M.I.)

**SIW IMPACT WINDOWS, LLC.**  
975 S. CONGRESS AVE. #102  
DELRAY BEACH, FL 33445  
TEL: (561) 274-9392 FAX: (561) 274-9262

---

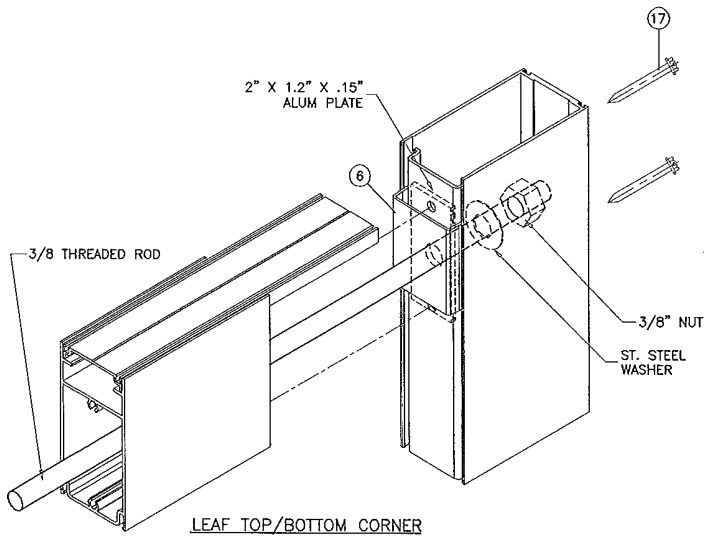
no	date	by	description
A	10.10.13	REV. PER	REV. COMMENTS
B	02.10.15	REV. PER	REV. COMMENTS

---

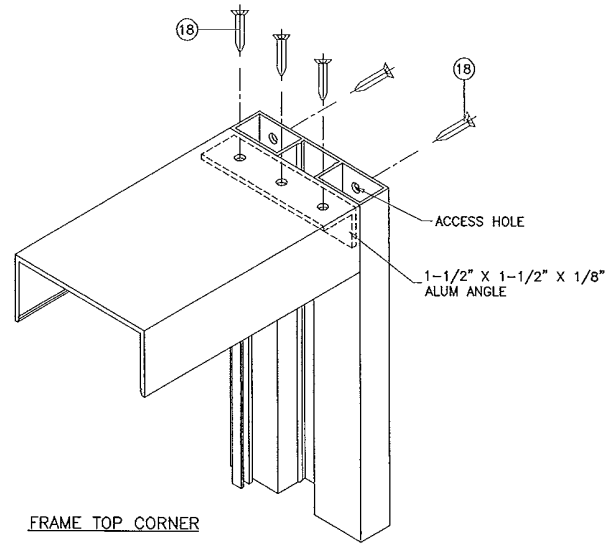
date: 08-29-14  
scale: 3/8" = 1"  
dr. by: TARIQ  
chk. by:

---

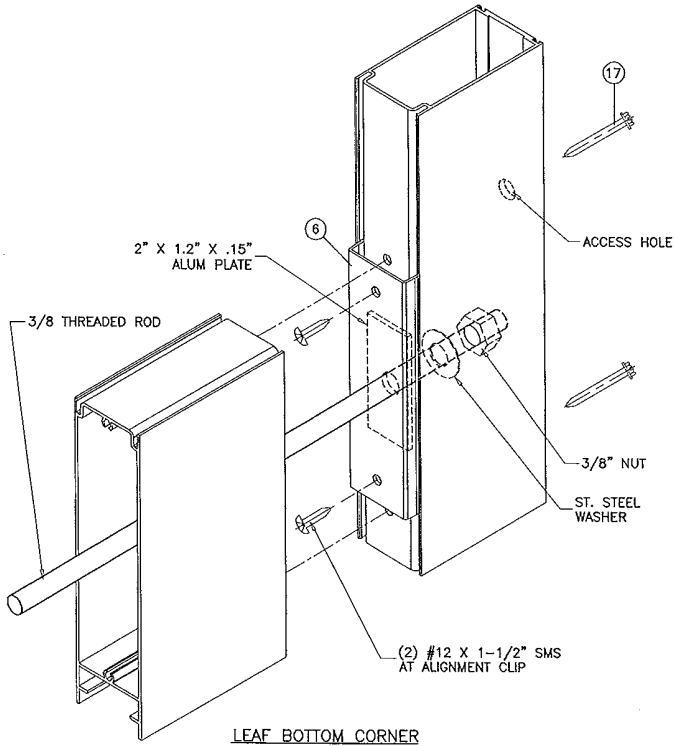
drawing no.  
**W14-30**  
sheet 5 of 6



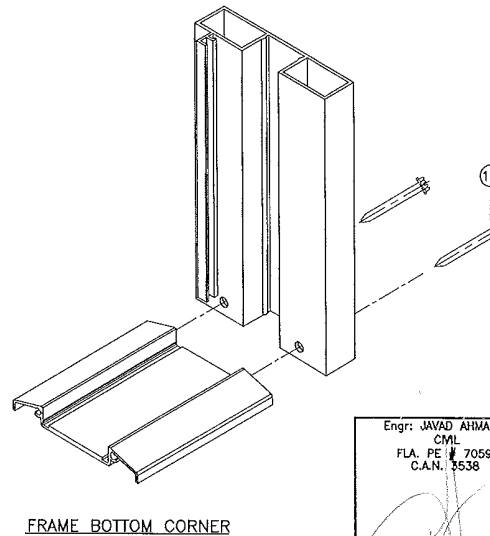
LEAF TOP/BOTTOM CORNER



FRAME TOP CORNER



LEAF BOTTOM CORNER



FRAME BOTTOM CORNER

Approved as complying with the  
Florida Building Code  
Date: 2/11/15  
NOA# 2015-02713  
Miami Dade Product Control  
By: *Kelias I. Clark*

Engr: JAVAD AHMAD  
CML  
FLA. PE # 70592  
C.A.N. 3538  
FEB 11 2015

COMP-ANL W14-305IW

**AL-FAROOQ CORPORATION**  
ENGINEERS & PRODUCT DEVELOPMENT  
1235 S.W. 87 AVE  
MIAMI, FLORIDA 33174  
TEL. (305) 264-8100 FAX. (305) 262-6978

SERIES 900 ALUM OUTSWING PIVOT DOOR (L.M.I.)

**SIW IMPACT WINDOWS, LLC.**  
975 S. CONGRESS AVE. #102  
DELRAY BEACH, FL 33445  
TEL. (561) 274-9392 FAX. (561) 274-9282

NO	DATE	DESCRIPTION	BY
A	10.20.15	NO CHANGE THIS SHEET	
B	02.10.15	NO CHANGE THIS SHEET	

date: 08-29-14

scale: 3/8" = 1"

dr. by: TARIQ

chk. by:

drawing no.  
**W14-30**

sheet 6 of 6