



Product Approval
USER: Public User

License efficiently. Regulate fairly.

[Product Approval Menu](#) > [Product or Application Search](#) > [Application List](#) > **Application Detail**

OFFICE OF THE SECRETARY

FL # FL17976
 Application Type New
 Code Version 2014
 Application Status Approved
 *Approved by DBPR. Approvals by DBPR shall be reviewed and ratified by the POC and/or the Commission if necessary.

Comments
 Archived

Product Manufacturer SIW Impact Windows, LLC.
 Address/Phone/Email 975 S. Congress Ave. #102
 Delray Beach, FL 33445
 (561) 274-9392
 ALOPEZ@SIWIMPACTWINDOWS.COM

Authorized Signature Javad Ahmad
 alfarooq@afceng.com

Technical Representative Chris McDonald
 Address/Phone/Email 975 S. Congress Ave
 Suite 102
 Delray Beach, FL 33445
 (561) 274-9392
 cmcdonald@siwimpactwindows.com

Quality Assurance Representative William Fernandez
 Address/Phone/Email 975 S. Congress Ave
 Suite 102
 Delray Beach, FL 33445
 (561) 274-9392
 wfernandez@siwimpactwindows.com

Category Windows
 Subcategory Projected

Compliance Method Certification Mark or Listing

Certification Agency Miami-Dade BCCO - CER
 Validated By Miami-Dade BCCO - VAL

Referenced Standard and Year (of Standard)	Standard	Year
	TAS 201	1994
	TAS 202	1994
	TAS 203	1994

Equivalence of Product Standards
 Certified By

Product Approval Method

Method 1 Option A

Date Submitted

08/20/2015

Date Validated

09/04/2015

Date Pending FBC Approval

Date Approved

09/10/2015

Summary of Products

FL #	Model, Number or Name	Description
17976.1	Series "S-450" Aluminum Project Out Window	Large missile impact resistant aluminum project out window.
Limits of Use Approved for use in HVHZ: Yes Approved for use outside HVHZ: Yes Impact Resistant: Yes Design Pressure: +80/-80 Other: See attached NOA# 14-0926.15 and Limitations Of Use for installation instructions.		Certification Agency Certificate FL17976 R0 C CAC S-450 Aluminum Project Out Window (LMI) NOA 14-0926.15.pdf Quality Assurance Contract Expiration Date 02/10/2020 Installation Instructions FL17976 R0 II Limitations Of Use.pdf FL17976 R0 II S-450 Aluminum Project Out Window (LMI) NOA 14-0926.15.pdf Verified By: Miami-Dade BCCO - CER Created by Independent Third Party: Evaluation Reports Created by Independent Third Party:

[Back](#)

[Next](#)

Contact Us :: 1940 North Monroe Street, Tallahassee FL 32399 Phone: 850-487-1824

The State of Florida is an AA/EEO employer. [Copyright 2007-2013 State of Florida.](#) :: [Privacy Statement](#) :: [Accessibility Statement](#) :: [Refund Statement](#)

Under Florida law, email addresses are public records. If you do not want your e-mail address released in response to a public-records request, do not send electronic mail to this entity. Instead, contact the office by phone or by traditional mail. If you have any questions, please contact 850.487.1395. *Pursuant to Section 455.275(1), Florida Statutes, effective October 1, 2012, licensees licensed under Chapter 455, F.S. must provide the Department with an email address if they have one. The emails provided may be used for official communication with the licensee. However email addresses are public record. If you do not wish to supply a personal address, please provide the Department with an email address which can be made available to the public. To determine if you are a licensee under Chapter 455, F.S., please click [here](#).

Product Approval Accepts:





DEPARTMENT OF REGULATORY AND ECONOMIC RESOURCES (RER)
BOARD AND CODE ADMINISTRATION DIVISION

MIAMI-DADE COUNTY
PRODUCT CONTROL SECTION
11805 SW 26 Street, Room 208
T (786) 315-2590 F (786) 315-2599
www.miamidade.gov/economy

NOTICE OF ACCEPTANCE (NOA)

SIW Impact Windows, LLC
975 S. Congress Avenue, # 102
Delray Beach, FL 33445

SCOPE:

This NOA is being issued under the applicable rules and regulations governing the use of construction materials. The documentation submitted has been reviewed and accepted by Miami-Dade County RER - Product Control Section to be used in Miami Dade County and other areas where allowed by the Authority Having Jurisdiction (AHJ).

This NOA shall not be valid after the expiration date stated below. The Miami-Dade County Product Control Section (In Miami Dade County) and/or the AHJ (in areas other than Miami Dade County) reserve the right to have this product or material tested for quality assurance purposes. If this product or material fails to perform in the accepted manner, the manufacturer will incur the expense of such testing and the AHJ may immediately revoke, modify, or suspend the use of such product or material within their jurisdiction. RER reserves the right to revoke this acceptance, if it is determined by Miami-Dade County Product Control Section that this product or material fails to meet the requirements of the applicable building code.

This product is approved as described herein, and has been designed to comply with the Florida Building Code, including the High Velocity Hurricane Zone.

DESCRIPTION: Series "S-450" Aluminum Project Out Window - L.M.I.

APPROVAL DOCUMENT: Drawing No. W09-57, titled "S-450 Aluminum Project Out Wdw. (L.M.I.)", sheets 1 through 6 of 6, dated 10/29/09, with revision B dated 08/21/14, prepared by Al-Farooq Corporation, signed and sealed by Javad Ahmad, P.E., bearing the Miami-Dade County Product Control Revision stamp with the Notice of Acceptance number and expiration date by the Miami-Dade County Product Control Section.

MISSILE IMPACT RATING: Large and Small Missile Impact Resistant

LABELING: Each unit shall bear a permanent label with the manufacturer's name or logo, city, state, model/series, and following statement: "Miami-Dade County Product Control Approved", unless otherwise noted herein.

RENEWAL of this NOA shall be considered after a renewal application has been filed and there has been no change in the applicable building code negatively affecting the performance of this product.

TERMINATION of this NOA will occur after the expiration date or if there has been a revision or change in the materials, use, and/or manufacture of the product or process. Misuse of this NOA as an endorsement of any product, for sales, advertising or any other purposes shall automatically terminate this NOA. Failure to comply with any section of this NOA shall be cause for termination and removal of NOA.

ADVERTISEMENT: The NOA number preceded by the words Miami-Dade County, Florida, and followed by the expiration date may be displayed in advertising literature. If any portion of the NOA is displayed, then it shall be done in its entirety.

INSPECTION: A copy of this entire NOA shall be provided to the user by the manufacturer or its distributors and shall be available for inspection at the job site at the request of the Building Official.

This NOA revises and renews NOA# 12-0223.20 and consists of this page 1 and evidence pages E-1 and E-2, as well as approval document mentioned above.

The submitted documentation was reviewed by Manuel Perez, P.E.



MP
2/6/15

NOA No. 14-0926.15
Expiration Date: February 10, 2020
Approval Date: February 12, 2015
Page 1

SIW Impact Windows, LLC.

NOTICE OF ACCEPTANCE: EVIDENCE SUBMITTED

A. DRAWINGS

1. Manufacturer's die drawings and sections.
2. Drawing No. **W09-57**, titled "S-450 Aluminum Project Out Wdw. (L.M.I.)", sheets 1 through 6 of 6, dated 10/29/09, with revision B dated 08/21/14, prepared by Al-Farooq Corporation, signed and sealed by Javad Ahmad, P.E.

B. TESTS

1. Test reports on:
 - 1) Air Infiltration Test, per FBC, TAS 202-94
 - 2) Uniform Static Air Pressure Test, Loading per FBC TAS 202-94
 - 3) Water Resistance Test, per FBC, TAS 202-94
 - 4) Large Missile Impact Test per FBC, TAS 201-94
 - 5) Cyclic Wind Pressure Loading per FBC, TAS 203-94
 - 6) Forced Entry Test, per FBC 2411 3.2.1, TAS 202-94

along with marked-up drawings and installation diagram of an aluminum project-out window, prepared by Hurricane Engineering and Testing, Inc., Test Reports No. **HETI-09-2627, HETI-09-2628, HETI-09-2629, HETI-09-2630, and HETI-09-2633**, dated 10/06/09, signed and sealed by Candido F. Font, P.E.
(Submitted under NOA#09-1109.04)

C. CALCULATIONS

1. Anchor verification calculations and structural analysis, complying with **FBC-5th Edition (2014)**, dated 08/18/14, prepared by Al-Farooq Corporation, signed and sealed by Javad Ahmad, P.E.
2. Glazing complies with **ASTM E1300-09**

D. QUALITY ASSURANCE

1. Miami-Dade Department of Regulatory and Economic Resources (RER).

E. MATERIAL CERTIFICATIONS

1. Notice of Acceptance No. **11-0624.02** issued to **E.I. DuPont DeNemours & Co., Inc.** for their "**DuPont SentryGlas® Interlayer**" dated 08/25/11, expiring on 01/14/17.
2. Notice of Acceptance No. **13-0129.27** issued to **E.I. DuPont DeNemours & Co., Inc.** for their "**DuPont Butacite® PVB Interlayer**" dated 04/11/13, expiring on 12/11/16.



Manuel Perez, P.E.

Product Control Examiner

NOA No. 14-0926.15

Expiration Date: February 10, 2020

Approval Date: February 12, 2015

SIW Impact Windows, LLC.

NOTICE OF ACCEPTANCE: EVIDENCE SUBMITTED

F. STATEMENTS

1. Statement letter of conformance, complying with FBC-5th Edition (2014), and of no financial interest, dated August 18, 2014, issued by Al-Farooq Corporation, signed and sealed by Javad Ahmad, P.E.
2. Laboratory compliance letters for Test Reports No. HETI-09-2627, HETI-09-2628, HETI-09-2629, HETI-09-2630, and HETI-09-2633, issued by Hurricane Test Laboratory, Inc., dated 08/15 to 26/09, signed and sealed by Candido F. Font, P. E. *(Submitted under NOA#09-1109.04)*

G. OTHER

1. Notice of Acceptance No. 12-0223.20, issued to SIW Impact Windows, LLC for their Series "S-450" Aluminum Project-Out Window – L.M.I., approved on 04/26/12 and expiring on 02/10/15.



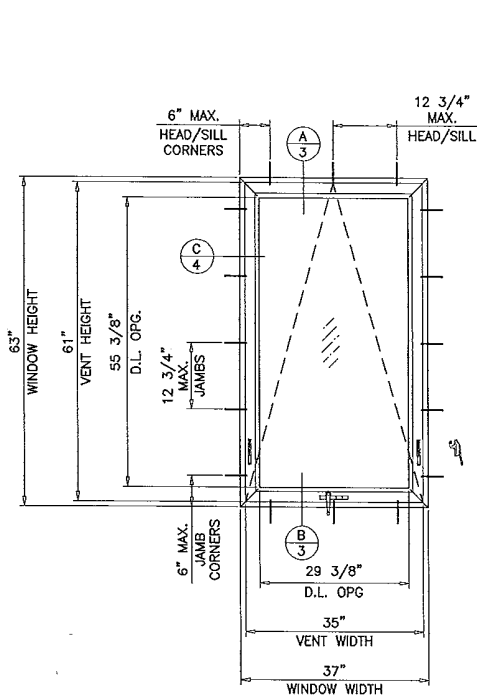
Manuel Pérez, P.E.

Product Control Examiner

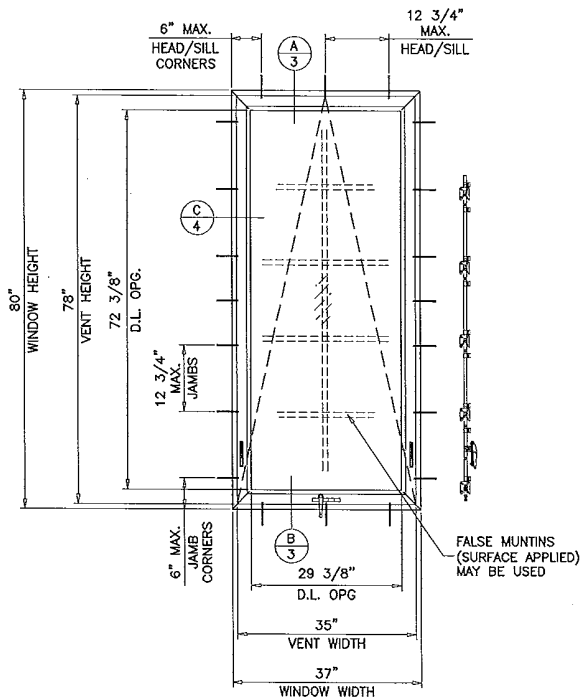
NOA No. 14-0926.15

Expiration Date: February 10, 2020

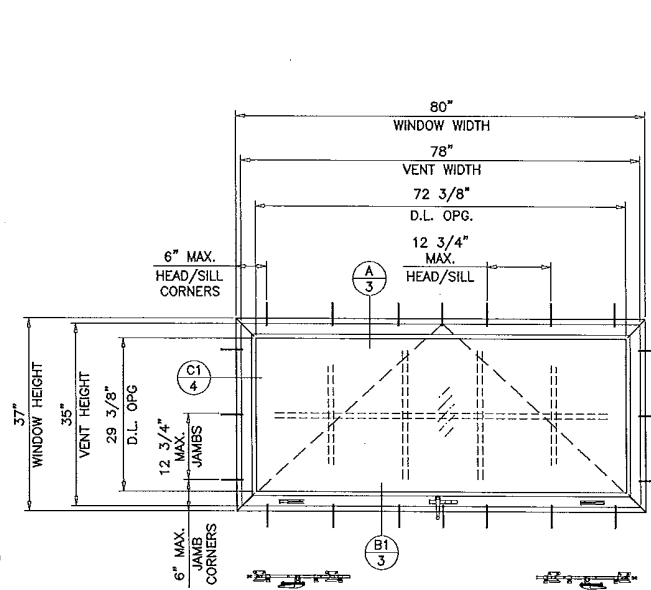
Approval Date: February 12, 2015



TYPICAL ELEVATION
CAM LOCK AT EACH JAMB



TYPICAL ELEVATION
MULTI POINT LOCK AT EACH JAMB
MAX. WD. WIDTH = 42 IN.
MIN. WD. HEIGHT = 42 IN.



TYPICAL ELEVATION
DOUBLE MULTI POINT LOCK AT SILL
MIN. WD. WIDTH = 42 IN.

SERIES S-450
ALUMINUM PROJECT OUT WINDOW

DESIGN LOAD RATING FOR THESE WINDOWS TO BE AS PER CHARTS SHOWN ON SHEET 2.

APPROVAL APPLIES TO SINGLE UNITS OR SIDE BY SIDE COMBINATIONS OF PROJECTED/PROJECTED OR PROJECTED WITH OTHER MIAMI-DADE COUNTY APPR'D WINDOWS USING MIAMI-DADE COUNTY APPROVED MULLIONS IN BETWEEN. LOWER DESIGN PRESSURE FROM WINDOWS OR MULLION APPROVAL WILL APPLY TO ENTIRE SYSTEM.

THIS PRODUCT HAS BEEN DESIGNED AND TESTED TO COMPLY WITH THE REQUIREMENTS OF THE FLORIDA BUILDING CODE INCLUDING HIGH VELOCITY HURRICANE ZONE (HVHZ).

WOOD BUCKS BY OTHERS, MUST BE ANCHORED PROPERLY TO TRANSFER LOADS TO THE STRUCTURE.

ANCHORS SHALL BE AS LISTED, SPACED AS SHOWN ON DETAILS, ANCHORS EMBEDMENT TO BASE MATERIAL SHALL BE BEYOND WALL DRESSING OR STUCCO.

ANCHORING OR LOADING CONDITIONS NOT SHOWN IN THESE DETAILS ARE NOT PART OF THIS APPROVAL.

A LOAD DURATION INCREASE IS USED IN DESIGN OF ANCHORS INTO WOOD ONLY.

MATERIALS INCLUDING BUT NOT LIMITED TO STEEL/METAL SCREWS, THAT COME INTO CONTACT WITH OTHER DISSIMILAR MATERIALS SHALL MEET THE REQUIREMENTS OF THE FLORIDA BLDG. CODE.

THESE WINDOWS ARE RATED FOR LARGE & SMALL MISSILE IMPACT. SHUTTERS ARE NOT REQUIRED.

Engr: JAVAD AHMAD
CIVIL
FLA. PE # 70592
C.A.N. 3538

FEB 05 2015

PRODUCT REVISED
as complying with the Florida
Building Code
Acceptance No 14-0926-15
Expiration Date Feb 10 2020

By *Wameel Jaz*
Miami Dade Product Control

af c
AL-FAROOQ CORPORATION
ENGINEERS & PRODUCT DEVELOPMENT
1235 S.W. 87 AVE
MIAMI, FLORIDA 33174
TEL (305) 264-8100 FAX (305) 262-6978
COMP-ANL\W09-57SIW

S-450 ALUMINUM PROJECT OUT WDW. (L.M.I.)
SIW IMPACT WINDOWS, LLC.
975 S. CONGRESS AVE. #102
DELRAY BEACH, FL. 33445
TEL. (561) 274-9392 FAX. (561) 274-9262

REV. DATE	BY	DESCRIPTION
A 01.2012		UPDATED TO 2010 FEC
B 08.21.14		UPDATED TO 2014 FEC
C 02.05.15		REL. PER COMMENTS

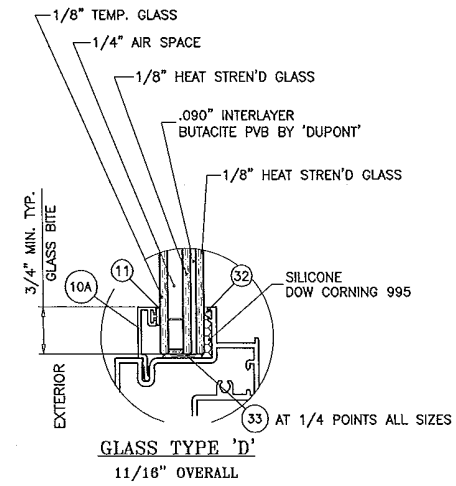
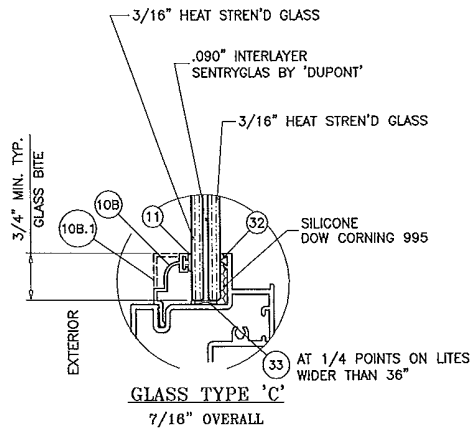
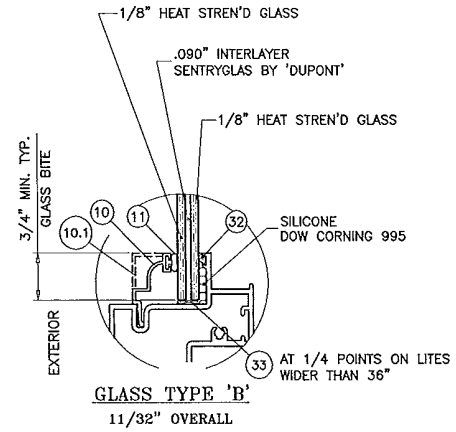
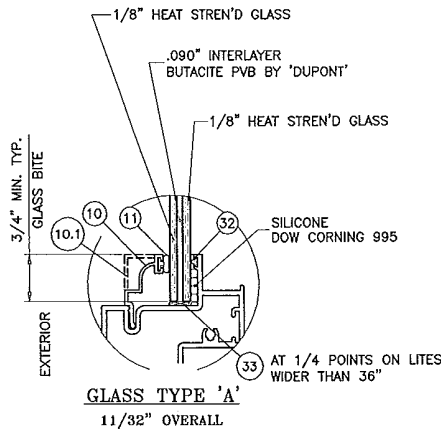
date: 10-29-09
scale: 1/2"=1'-0"
dr: BY: HAMID
chk: BY:

drawing no.
W09-57

sheet 1 of 6

DESIGN LOAD CAPACITY - PSF						
WINDOW DIMS.		WITH CAM LOCKS		W/ MULTI POINT LOCKS		
		GLASS TYPES 'A', 'B', 'C' & 'D'		GLASS TYPES 'B', 'C' & 'D'		
WIDTH	HEIGHT	EXT.(+)	INT.(-)	EXT.(+)	INT.(-)	
19-1/8"	26-1/2"	70.0	70.0	80.0	80.0	
26-1/2"		70.0	70.0	80.0	80.0	
32"		70.0	70.0	80.0	80.0	
37"		70.0	70.0	80.0	80.0	
42"		70.0	70.0	80.0	80.0	
48"		70.0	70.0	80.0	80.0	
53-1/8"		70.0	70.0	80.0	80.0	
74"		55.0	55.0	80.0	80.0	
80"		43.2	43.2	80.0	80.0	
84"		37.1	37.1	80.0	80.0	
19-1/8"	32"	70.0	70.0	80.0	80.0	
26-1/2"		70.0	70.0	80.0	80.0	
32"		70.0	70.0	80.0	80.0	
37"		70.0	70.0	80.0	80.0	
42"		70.0	70.0	80.0	80.0	
48"		70.0	70.0	80.0	80.0	
53-1/8"		70.0	70.0	80.0	80.0	
74"		-	-	80.0	80.0	
80"		-	-	80.0	80.0	
84"		-	-	77.6	77.6	
19-1/8"	37"	70.0	70.0	80.0	80.0	
26-1/2"		70.0	70.0	80.0	80.0	
32"		70.0	70.0	80.0	80.0	
37"		70.0	70.0	80.0	80.0	
42"		70.0	70.0	80.0	80.0	
48"		70.0	70.0	80.0	80.0	
53-1/8"		70.0	70.0	80.0	80.0	
74"		-	-	80.0	80.0	
80"		-	-	80.0	80.0	
84"		-	-	80.0	80.0	
19-1/8"	38-3/8"	70.0	70.0	80.0	80.0	
26-1/2"		70.0	70.0	80.0	80.0	
32"		70.0	70.0	80.0	80.0	
37"		70.0	70.0	80.0	80.0	
42"		70.0	70.0	80.0	80.0	
48"		70.0	70.0	80.0	80.0	
53-1/8"		70.0	70.0	80.0	80.0	
74"		-	-	80.0	80.0	
19-1/8"		50-5/8"	70.0	70.0	80.0	80.0
26-1/2"			70.0	70.0	80.0	80.0
32"	70.0		70.0	80.0	80.0	
37"	70.0		70.0	80.0	80.0	
42"	70.0		70.0	80.0	80.0	
48"	-		-	80.0	80.0	
53-1/8"	-		-	80.0	80.0	
19-1/8"	63"		70.0	70.0	80.0	80.0
26-1/2"			70.0	70.0	80.0	80.0
32"			70.0	70.0	80.0	80.0
37"		70.0	70.0	80.0	80.0	
42"		-	-	80.0	80.0	

DESIGN LOAD CAPACITY - PSF					
WINDOW DIMS.		WITH CAM LOCKS		W/ MULTI POINT LOCKS	
		GLASS TYPES 'A', 'B', 'C' & 'D'		GLASS TYPES 'B', 'C' & 'D'	
WIDTH	HEIGHT	EXT.(+)	INT.(-)	EXT.(+)	INT.(-)
19-1/8"	74-1/4"	70.0	70.0	80.0	80.0
26-1/2"		54.4	54.4	80.0	80.0
32"		-	-	80.0	80.0
37"	-	-	80.0	80.0	
19-1/8"	80"	58.6	58.6	80.0	80.0
26-1/2"		43.2	43.2	80.0	80.0
32"		-	-	80.0	80.0
37"	-	-	80.0	80.0	
19-1/8"	84"	50.5	50.5	80.0	80.0
26-1/2"		37.1	37.1	80.0	80.0
32"		-	-	77.6	77.6



GLAZING OPTIONS

NOTE:
GLASS CAPACITIES ON THIS SHEET ARE
BASED ON ASTM E1300-09 (3 SEC. GUSTS)
AND FLORIDA BUILDING COMMISSION
DECLARATORY STATEMENT DCA05-DEC-219

Engr: JAVAD AHMAD
CIVIL
FLA. PE # 70592
C.A.N. 3538

FEB 05 2015

PRODUCT REVISED
as complying with the Florida
Building Code
Acceptance No. 14-0926.15
Expiration Date Feb 10, 2020

By: *Manuel Perez*
Miami Dade Product Control

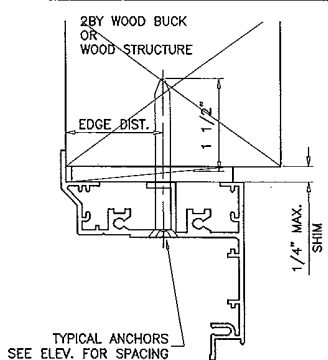
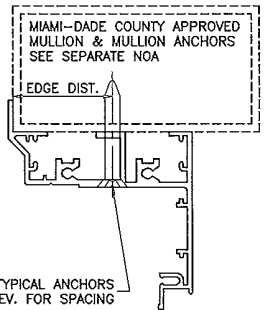
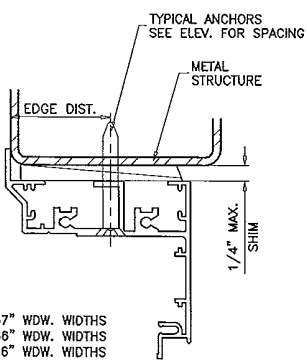
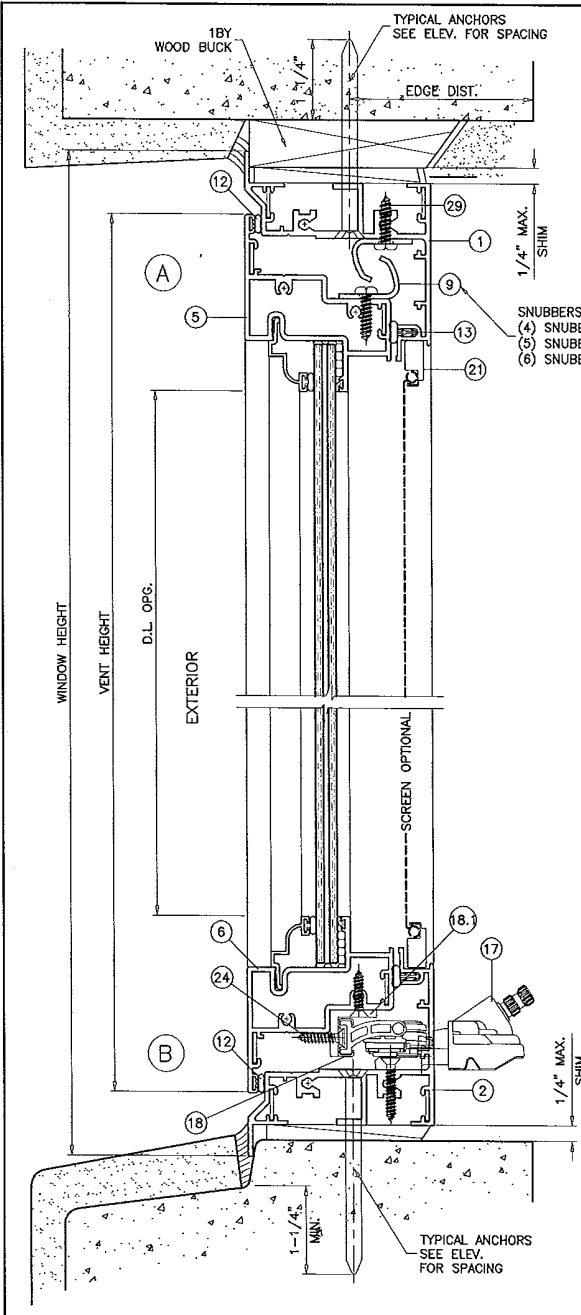
af c
AL-FAROQ CORPORATION
ENGINEERS & PRODUCT DEVELOPMENT
1285 S.W. 87 AVE
MIAMI, FLORIDA 33174
TEL. (305) 264-8100 FAX. (305) 262-6878
COMP-ANI\W09-57SIW

S-450 ALUMINUM PROJECT OUT WDW. (L.M.I.)
SIW IMPACT WINDOWS, LLC.
975 S. CONGRESS AVE. #102
DELRAY BEACH, FL 33445
TEL. (561) 274-9392 FAX. (561) 274-9282

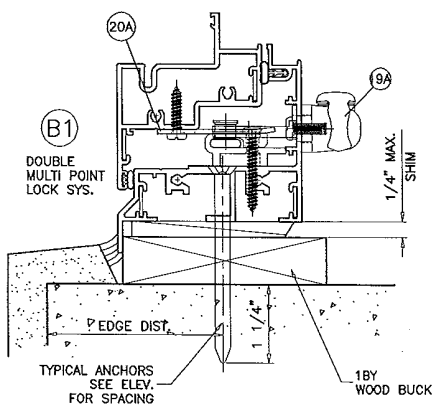
NO.	DATE	DESCRIPTION
A	01-2012	DESIGNED TO 2010 FBC
B	08-21-14	UPDATED TO 2014 FBC
C	02-05-15	NO CHANGE THIS SHEET

date: 10-29-09
scale: 1/2" = 1"
dr. by: HAMID
chk. by:

drawing no.
W09-57
sheet 2 of 6



WOOD BUCKS AND METAL STRUCTURE NOT BY S.I.W. MUST SUSTAIN LOADS IMPOSED BY GLAZING SYSTEM AND TRANSFER THEM TO THE BUILDING STRUCTURE.



TYPICAL ANCHORS: SEE ELEV. FOR SPACING
 1/4" DIA. ULTRACON BY 'ELCO' (Fu=177 KSI, Fy=155 KSI)
 INTO 2BY WOOD BUCKS OR WOOD STRUCTURES
 1-1/2" MIN. PENETRATION INTO WOOD
 THRU 1BY BUCKS INTO CONC. OR MASONRY
 1-1/4" MIN. EMBED INTO CONC. OR MASONRY
 DIRECTLY INTO CONC. OR MASONRY
 1-1/4" MIN. EMBED INTO CONC. OR MASONRY

#14 SMS OR SELF DRILLING SCREWS (GRADE 2 CRS)
 INTO MIAMI-DADE COUNTY APPROVED MULLIONS (1/8" THK. MIN.)
 INTO METAL STRUCTURES
 STEEL : 12 GA. MIN. (Fy = 36 KSI MIN.)
 ALUMINUM : 1/8" THK. MIN. (6063-T5 MIN.)
 (STEEL IN CONTACT WITH ALUMINUM TO BE PLATED OR PAINTED)

TYPICAL EDGE DISTANCE
 INTO CONCRETE AND MASONRY = 2-1/2" MIN.
 INTO WOOD STRUCTURE = 1" MIN.
 INTO METAL STRUCTURE = 3/4" MIN.

WOOD AT HEAD, SILL OR JAMBS SG = 0.55 MIN.
 CONCRETE AT HEAD, SILL OR JAMBS f'c = 3000 PSI MIN.
 C-90 HOLLOW/FILLED BLOCK AT JAMBS f'm = 2000 PSI MIN.

SEALANTS:
 ALL FRAME AND VENT CORNERS SEALED WITH SCHNEE MOREHEAD SM-5504 SEALANT.

Engr: JAVAD AHMAD
 CML
 FLA. PE # 70592
 C.A.N. 3558
 FEB 05 2015

PRODUCT REVISED
 as complying with the Florida
 Building Code
 Acceptance No. 14-0926.15
 Expiration Date FEB 10, 2020
 By: *Manuel Pizarro*
 Miami Dade Product Control

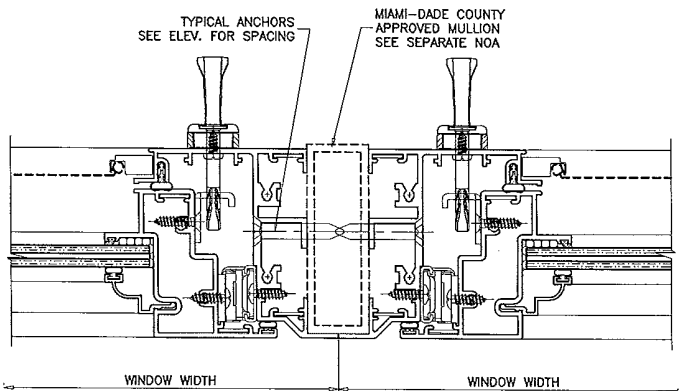
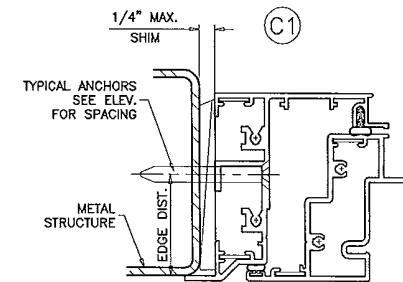
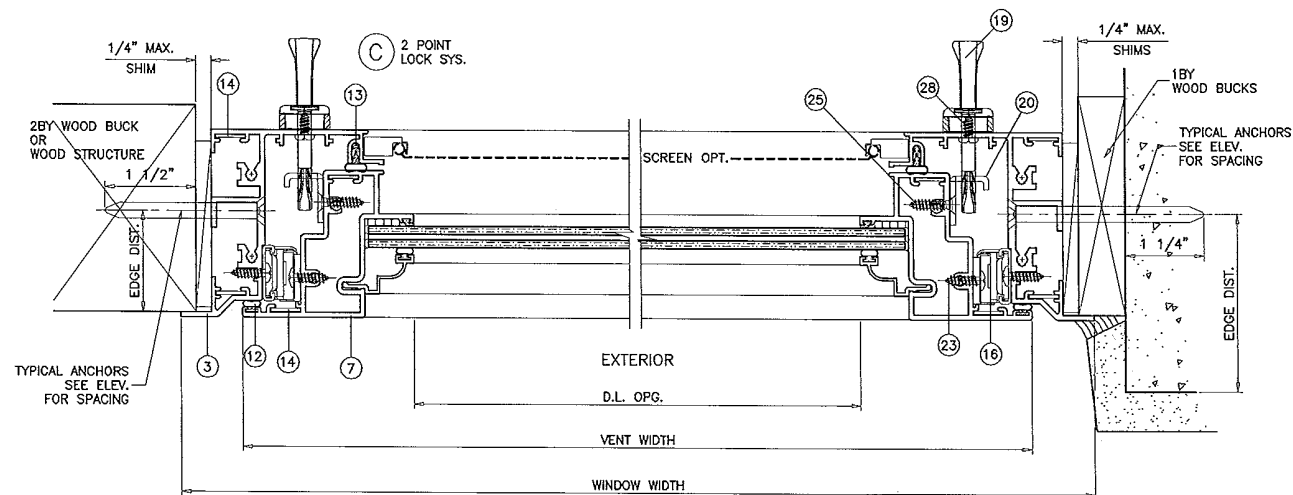
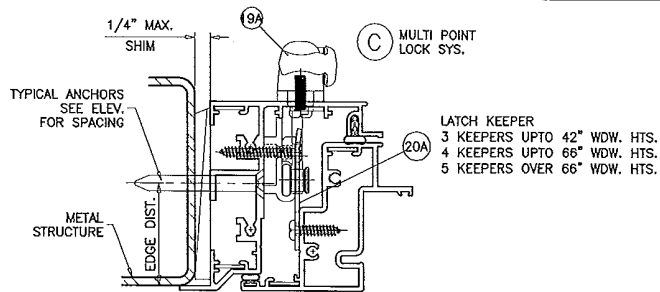
af c
AL-FAROOQ CORPORATION
 ENGINEERS & PRODUCT DEVELOPMENT
 1235 S.W. 87 AVE
 MIAMI, FLORIDA 33174
 TEL: (305) 264-8100 FAX: (305) 262-6978
 COMP-ANL\W09-57SIW

S-450 ALUMINUM PROJECT OUT WDW. (L.M.I.)
SIW IMPACT WINDOWS, LLC.
 975 S. CONGRESS AVE. # 102
 DELRAY BEACH, FL. 33445
 TEL. (561) 274-9392 FAX. (561) 274-9262

NO.	DATE	BY	DESCRIPTION
A	10/20/12		NO CHANGE THIS SHEET
B	03/21/14		UPDATED TO 2014 FBC
C	02/05/15		REV. PER COMMENTS

revisions: 10-29-09
 date: 10-29-09
 scale: 1/2" = 1"
 dr. by: HAMID
 chk. by:

drawing no. **W09-57**
 sheet 3 of 6



Engr: JAVAD AHMAD
 CML
 FLA.-PE # 70592
 C.A.N. 13538

FEB 05 2015

PRODUCT REVISED
 as complying with the Florida
 Building Code
 Acceptance No 14-0926-15
 Expiration Date Feb 10, 2020

By *Manuel Jerez*
 Miami Dade Product Control

af c

AL-FAROOQ CORPORATION
 ENGINEERS & PRODUCT DEVELOPMENT
 12345 S.W. 87 AVE
 MIAMI, FLORIDA 33174
 TEL. (305) 264-8400 FAX. (305) 262-6978
 COMP-ANL\W09-57SIW

S-450 ALUMINUM PROJECT OUT WDW. (L.M.I.)
SIW IMPACT WINDOWS, LLC.
 975 S. CONGRESS AVE. #102
 DELRAY BEACH, FL. 33445
 TEL. (561) 274-9392 FAX. (561) 274-9262

NO.	DATE	BY	DESCRIPTION
A	01.20.12		NO CHANGE THIS SHEET
B	08.21.14		NO CHANGE THIS SHEET
C	02.05.15		REV. PER PER COMMENTS

date: 10-29-09	scale: 1/2" = 1"	chk. by:
dr. by: HAMID		

drawing no.
W09-57

sheet 4 of 6

ITEM NO.	PART NO.	QUANTITY	DESCRIPTION	MATERIAL	MANF./SUPPLIER/REMARKS
1	SIW401	1	FRAME HEAD	6063-T6	-
2	SIW401	1	FRAME SILL	6063-T6	-
3	SIW401	1	FRAME JAMB	6063-T6	-
5	SIW402	1	VENT TOP RAIL	6063-T6	-
6	SIW402	1	VENT BOTTOM RAIL	6063-T6	-
7	SIW402	1	VENT SIDE RAIL	6063-T6	-
9	23138	AS REQD.	SNUBBER	ST. STEEL	TRUTH HARDWARE
10	SIW112	AS REQD.	GLAZING BEAD (5/16" GLASS)	6063-T6	-
10.1	SIW128	AS REQD.	ALT. GLAZING BEAD (5/16" GLASS)	6063-T6	-
10A	SIW117	AS REQD.	GLAZING BEAD (11/16" INSUL. GLASS)	6063-T6	-
10B	SIW108	AS REQD.	GLAZING BEAD (7/16" GLASS)	6063-T6	-
10B.1	-	AS REQD.	ALT. GLAZING BEAD (7/16" GLASS)	6063-T6	-
11	5531	AS REQD.	EXT. GLAZING SPACER, DUROMETER 70±5 SHORE A	SANTOPRENE	CENTRAL PLASTICS
12	9302	AS REQD.	OUTER COMPRESSION SEAL	-	CENTRAL PLASTICS
13	APT425	AS REQD.	INNER COMPRESSION SEAL	-	SCHLEGEL SYSTEMS
14	PJS40-SS	2/ CORNER	CORNER LOCK	ST. STEEL	SULLIVAN & ASSOCIATES
16	35.13	2/ WDW	4 BAR HINGES-HEAVY DUTY	ST. STEEL	TRUTH HARDWARE
17	51.1	1/ WDW	AWNING OPERATOR	-	TRUTH HARDWARE
17.1	32658	1	OPERATOR GASKET .062	-	TRUTH HARDWARE
17.2	32833	1	OPERATOR SPACER .236	-	TRUTH HARDWARE
18	41015	1/ OPER.	TRACK	ST. STEEL	TRUTH HARDWARE
18.1	-	1/ OPER.	3/4" X 3/4" X 1/8" ANGLE	ALUMINUM	-
19	24.25	2/ VENT	LOCK ASSEMBLY (SINGLE POINT LOCK SYS.)	-	TRUTH HARDWARE
19.1	21496	2/ VENT	SPACER (SINGLE POINT LOCK SYS.)	-	TRUTH HARDWARE
19A	24.23	2/ VENT	LOCK ASSEMBLY (MULTI POINT LOCK SYS.)	-	TRUTH HARDWARE
19A.1	21709	2/ VENT	SPACER (MULTI POINT LOCK SYS.)	-	TRUTH HARDWARE
19A.2	21600	1/ LOCK	SUPPORT PLATE (MULTI POINT LOCK SYS.)	-	TRUTH HARDWARE
20	31384	1/ LOCK	KEEPER (SINGLE POINT LOCK)	ST. STEEL	TRUTH HARDWARE
20A	31301	AS REQD.	KEEPER (MULTI POINT LOCK)	-	TRUTH HARDWARE
20A.1	24 SERIES	1	INTERLOCK ROLLER TIE BAR (MULTI POINT LOCK)	-	TRUTH HARDWARE
20A.2	32824	AS REQD.	TIE BAR GUIDE (MULTI POINT LOCK)	-	TRUTH HARDWARE
20A.3	-	2/ GUIDE	TIE BAR GUIDE MOUNTING SCREWS (MULTI POINT LOCK)	-	#10 X 1-1/4" FH SMS
21	-	1	5/16" BOX SCREEN	-	OPTIONAL
22	-	2/ CORNER	FRAME & VENT ASSY. SCREWS	GRS	#10 x 1-1/4" FH SMS
23	-	6/HINGE	HINGE MOUNTING SCREWS	-	#10 x 3/4" FH SMS
24	-	2/OPERATOR	OPERATOR TRACK MTG. SCREWS	-	#10 x 3/4" FH SMS
25	-	2/KEEPER	KEEPER MOUNTING SCREWS	-	#10 x 3/4" FH SMS
27	-	6/OPERATOR	OPERATOR MOUNTING SCREWS	-	#10 X 1-1/4" FH SMS
28	-	2/LOCK	LOCK ASSEMBLY MOUNTING SCREWS	-	#10-24 X 1/2" FH MS TYPE F
29	-	2/SNUBBER	SNUBBER MTG. SCREW	-	#10 x 3/4" FH SMS
32	5530	AS REQD.	INTERIOR GLAZING SPACER, DUROMETER 70±5 SHORE A	SANTOPRENE	CENTRAL PLASTICS
33	-	2/ LITE	SETTING BLOCKS	EPDM	DUROMETER 85±5 SHORE A

Engr: JAVAD AHMAD
CML
*FLA. PE # 70592
C.A.N. 3538

[Signature]
FEB 05 2015

PRODUCT REVISED
as complying with the Florida
Building Code
Acceptance No 14-0926.15
Expiration Date Feb 10, 2020

By *[Signature]*
Miami Dade Product Control

afc

AL-FAROOQ CORPORATION
ENGINEERS & PRODUCT DEVELOPMENT
1235 S.W. 87 AVE
MIAMI, FLORIDA 33174
TEL. (305) 262-6978 FAX. (305) 262-6978
COMP-ANL\W09-57SIW

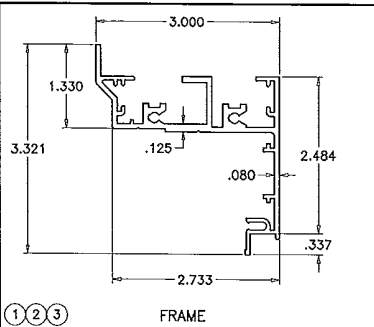
S-450 ALUMINUM PROJECT OUT WDW. (L.M.L.)
SIW IMPACT WINDOWS, LLC.
975 S. CONGRESS AVE. # 102
DELRAY BEACH, FL. 33445
TEL. (561) 274-9392 FAX. (561) 274-9262

NO. DATE	BY	DESCRIPTION
A 10/2/2012		NO CHANGE THIS SHEET
B 08/21/14		UPDATED TO 2014 ERC
C 02/05/15		REV. PER COMMENTS

date: 10-29-09
scale: 1/2" = 1"
dr. BY: HAMID
chk. by:

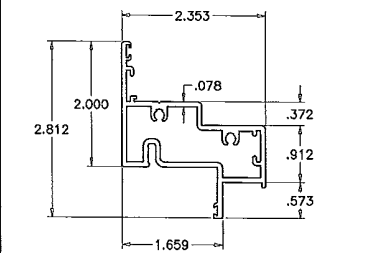
drawing no.
W09-57

sheet 5 of 6



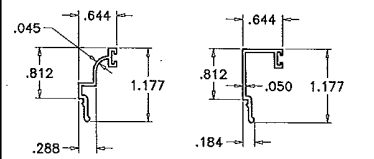
1 2 3

FRAME



5 6 7

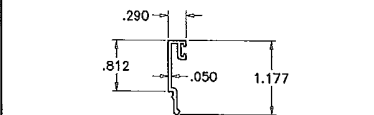
VENT



10

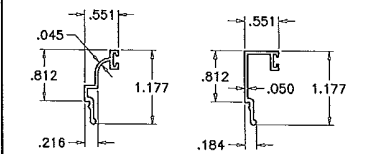
10.1

GLAZING BEADS (5/16" GLASS)



10A

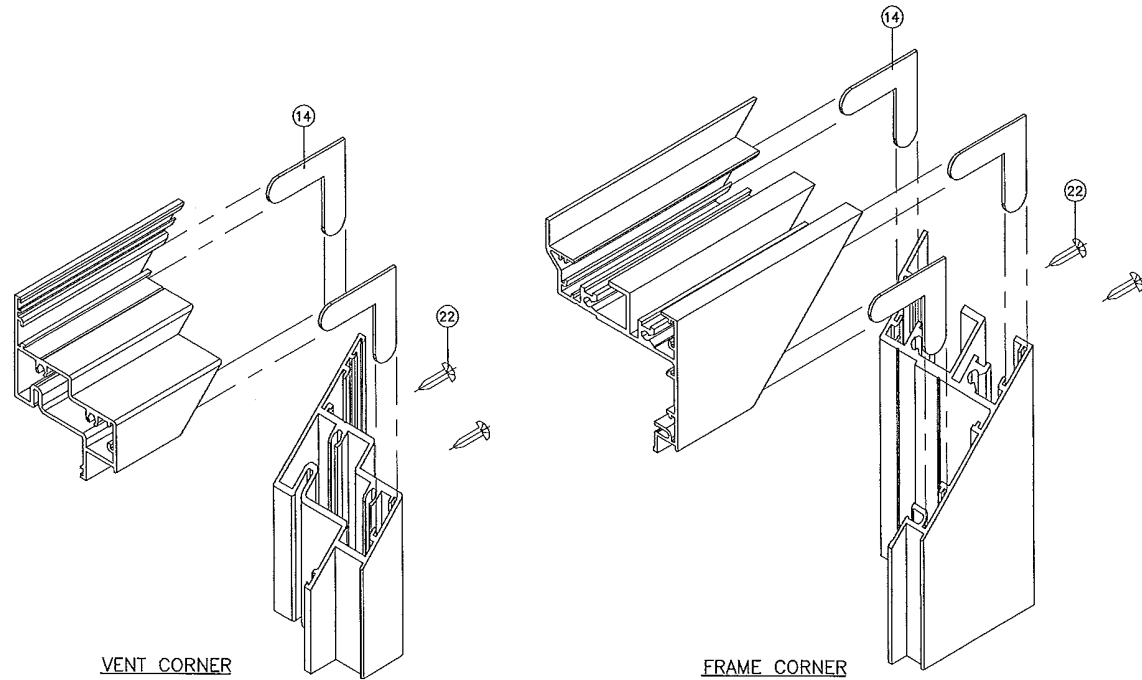
GLAZING BEAD (11/16" INSUL. GLASS)



10B

10B.1

GLAZING BEADS (7/16" GLASS)



VENT CORNER

FRAME CORNER

Engr: JAWAD AHMAD
CML
FLA. PE # 70592
C.J.N. 3538

FEB 05 2015

PRODUCT REVISED
as complying with the Florida
Building Code
Acceptance No. 14-0926-15
Expiration Date Feb 10, 2020
By: *Manuel Jerez*
Miami Dade Product Control

afc
AL-FAROOQ CORPORATION
ENGINEERS & PRODUCT DEVELOPMENT
12335 S.W. 87 AVE
MIAMI, FLORIDA 33174
TEL: (305) 264-8100 FAX: (305) 262-6976
COMP-ANL\W09-57SIW

S-450 ALUMINUM PROJECT OUT WDW. (L.M.I.)
SIW IMPACT WINDOWS, LLC.
975 S. CONGRESS AVE. #102
DELRAY BEACH, FL 33445
TEL: (561) 274-9392 FAX: (561) 274-9262

NO.	DATE	DESCRIPTION
A	01.2012	NO CHANGE THIS SHEET
B	06.21.14	UPDATED TO 2014 FBC
C	02.05.15	REL. PER RER COMMENTS

date: 10-29-08
scale: 1/2" = 1"
dr. by: HAMID
chk. by:

drawing no.
W09-57

sheet 6 of 6