

[BCIS Home](#) | [Log In](#) | [User Registration](#) | [Hot Topics](#) | [Submit Surcharge](#) | [Stats & Facts](#) | [Publications](#) | [FBC Staff](#) | [BCIS Site Map](#) | [Links](#) | [Search](#)



Product Approval
USER: Public User

[Product Approval Menu](#) > [Product or Application Search](#) > [Application List](#) > [Application Detail](#)



FL #	FL18320-R2								
Application Type	Revision								
Code Version	2017								
Application Status	Approved								
Comments									
Archived	--								
Product Manufacturer	SIW Impact Windows, LLC.								
Address/Phone/Email	975 S. Congress Ave. #102 Delray Beach, FL 33445 (561) 274-9392 ALOPEZ@SIWIMPACTWINDOWS.COM								
Authorized Signature	Javad Ahmad alfarooq@afceng.com								
Technical Representative	Chris McDonald								
Address/Phone/Email	975 S. Congress Ave Suite 102 Delray Beach, FL 33445 (561) 274-9392 cmcdonald@siwimpactwindows.com								
Quality Assurance Representative	William Fernandez								
Address/Phone/Email	975 S. Congress Ave Suite 102 Delray Beach, FL 33445 (561) 274-9392 wfernandez@siwimpactwindows.com								
Category	Exterior Doors								
Subcategory	Swinging Exterior Door Assemblies								
Compliance Method	Evaluation Report from a Florida Registered Architect or a Licensed Florida Professional Engineer Evaluation Report - Hardcopy Received								
Florida Engineer or Architect Name who developed the Evaluation Report	Javad Ahmad								
Florida License	PE-70592								
Quality Assurance Entity	National Accreditation and Management Institute								
Quality Assurance Contract Expiration Date	12/31/2018								
Validated By	Jesus Gonzalez, P.E. Validation Checklist - Hardcopy Received								
Certificate of Independence	FL18320_R2_COI_SS-500-9-10-11-12 OS A Door (LMI)-CI 2017.pdf								
Referenced Standard and Year (of Standard)	<table border="0"> <thead> <tr> <th><u>Standard</u></th> <th><u>Year</u></th> </tr> </thead> <tbody> <tr> <td>TAS 201</td> <td>1994</td> </tr> <tr> <td>TAS 202</td> <td>1994</td> </tr> <tr> <td>TAS 203</td> <td>1994</td> </tr> </tbody> </table>	<u>Standard</u>	<u>Year</u>	TAS 201	1994	TAS 202	1994	TAS 203	1994
<u>Standard</u>	<u>Year</u>								
TAS 201	1994								
TAS 202	1994								
TAS 203	1994								

Equivalence of Product Standards

Certified By

Sections from the Code

Product Approval Method Method 1 Option D

Date Submitted 12/11/2017
 Date Validated 12/12/2017
 Date Pending FBC Approval 12/18/2017
 Date Approved 02/13/2018

Summary of Products

FL #	Model, Number or Name	Description
18320.1	Series "500-10" Single Aluminum Outswing Entrance Door	Large missile impact resistant aluminum outswing door
Limits of Use Approved for use in HVHZ: Yes Approved for use outside HVHZ: Yes Impact Resistant: Yes Design Pressure: +55/-55 Other: See drawing W17-108 for installation details		Installation Instructions FL18320_R2_II_SS-SIW 500-10 Alum OS ED (LMI)-2017 DWG W17-108.pdf Verified By: Javad Ahmad PE #70592 Created by Independent Third Party: Yes Evaluation Reports FL18320_R2_AE_SS-SIW 500-10 Single Alum OS (LMI)-PAE 2017.pdf Created by Independent Third Party: Yes
18320.2	Series "500-11" Aluminum Outswing Entrance Door	Large missile impact resistant aluminum outswing door
Limits of Use Approved for use in HVHZ: Yes Approved for use outside HVHZ: Yes Impact Resistant: Yes Design Pressure: +50/-50 Other: See drawing W17-107 for span vs load combinations and installation details		Installation Instructions FL18320_R2_II_SS-SIW 500-11 Alum OS ED (LMI)-2017 DWG W17-107.pdf Verified By: Javad Ahmad PE #70592 Created by Independent Third Party: Yes Evaluation Reports FL18320_R2_AE_SS-SIW 500-11 Alum OS ED (LMI)-PAE 2017.pdf Created by Independent Third Party: Yes
18320.3	Series "500-12" Aluminum Outswing Door	Large missile impact resistant aluminum outswing door
Limits of Use Approved for use in HVHZ: Yes Approved for use outside HVHZ: Yes Impact Resistant: Yes Design Pressure: +60/-60 Other: See drawing W17-55 for span vs load combinations and installation details.		Installation Instructions FL18320_R2_II_SS-SIW 500-12 Alum OS (LMI)-2017 DWG W17-55.pdf Verified By: Javad Ahmad PE 70592 Created by Independent Third Party: Yes Evaluation Reports FL18320_R2_AE_SS-SIW 500-12 Alum OS (LMI)-PAE 2017.pdf Created by Independent Third Party: Yes
18320.4	Series "500-9" Aluminum Outswing Door W/Wo Sidelite or Transom	Large missile impact resistant aluminum outswing door
Limits of Use Approved for use in HVHZ: Yes Approved for use outside HVHZ: Yes Impact Resistant: Yes Design Pressure: +80/-80 Other: See drawing W15-45 for span vs load combinations and installation details.		Installation Instructions FL18320_R2_II_SS-500-9 OS A Door (LMI)-2017 DWG W15-45.pdf Verified By: Javad Ahmad PE# 70592 Created by Independent Third Party: Yes Evaluation Reports FL18320_R2_AE_SS-500-9 OS A Door (LMI)-PAE 2017.pdf Created by Independent Third Party: Yes

[Back](#) [Next](#)

Contact Us :: 2601 Blair Stone Road, Tallahassee FL 32399 Phone: 850-487-1824

The State of Florida is an AA/EEO employer. Copyright 2007-2013 State of Florida. :: [Privacy Statement](#) :: [Accessibility Statement](#) :: [Refund Statement](#)

Under Florida law, email addresses are public records. If you do not want your e-mail address released in response to a public-records request, do not send electronic mail to this entity. Instead, contact the office by phone or by traditional mail. If you have any questions, please contact 850.487.1395. *Pursuant to Section 455.275(1), Florida Statutes, effective October 1, 2012, licensees licensed under Chapter 455, F.S. must provide the Department with an email address if they have one. The emails provided may be used for official communication with the licensee. However email addresses are public record. If you do not wish to supply a personal

address, please provide the Department with an email address which can be made available to the public. To determine if you are a licensee under Chapter 455, F.S., please click [here](#).

Product Approval Accepts:



Credit Card
Safe

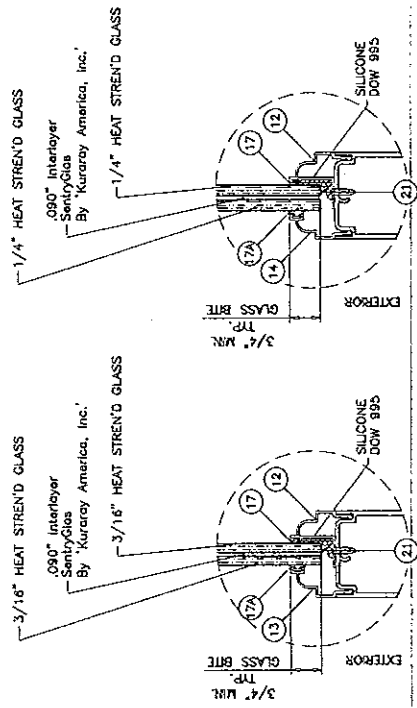


AL-FAROOD CORPORATION
 ENGINEERS & PRODUCT DEVELOPMENT
 9360 SUNSET DRIVE, SUITE 220
 MIAMI, FLORIDA 33173 (C.A.N. 3536)
 TEL (305) 264-8100 FAX (305) 262-6978
 CORP-AMT/W17-555/N

SIM IMPACT WINDOWS, LLC
 975 S. CONGRESS AVE. #102
 DELRAY BEACH, FL 33445
 TEL (561) 274-9392 FAX (561) 274-9262

revisions:
 no date by description
 A 1/25/17
 code 3/8" = 1"
 drawing no. W17-55
 sheet 1 of 10

FL #18320
 PROFESSIONAL ENGINEER
 STATE OF FLORIDA
 LICENSE No. 70592



GLASS TYPE 'A'
 7/16" OVERALL LAM. GLASS

GLASS TYPE 'B'
 9/16" OVERALL LAM. GLASS

GLAZING OPTIONS

THESE DOORS ARE RATED FOR LARGE & SMALL MISSILE IMPACT. SHUTTERS ARE NOT REQUIRED.

SERIES 500-12 ALUMINUM OUTSWING ENTRANCE DOOR

APPROVAL APPLIES TO SINGLE(X) AND DOUBLE(XX) LEAF OUTSWING DOORS SEE SHEETS 2 & 3 FOR DESIGN LOAD CAPACITIES.

- SINGLE (X) AND DOUBLE (XX) DOORS WITH LOW-RISE AND HI-RISE THRESHOLDS ARE APPROVED FOR INSTALLATIONS WHERE WATER INFILTRATION RESISTANCE IS REQUIRED.
- SINGLE (X) DOORS WITH ADA THRESHOLD APPROVED FOR INSTALLATIONS WHERE WATER INFILTRATION RESISTANCE IS REQUIRED, LIMIT MAX.
- EXTERIOR (+) LOADS TO 55.0 PSF
- DOUBLE (XX) DOORS WITH ADA THRESHOLD NOT APPROVED FOR WATER INFILTRATION RESISTANCE. SEE SHEET 4 FOR DETAILS.

THIS PRODUCT HAS BEEN DESIGNED AND TESTED TO COMPLY WITH THE REQUIREMENTS OF THE 2014 (5TH EDITION)/2017 (8TH EDITION) FLORIDA BUILDING CODE INCLUDING HIGH VELOCITY HURRICANE ZONE (HVHZ), 1BY OR 2BY WOOD BUCKS & BUCK FASTENERS BY OTHERS, MUST BE DESIGNED AND INSTALLED ADEQUATELY TO TRANSFER APPLIED PRODUCT LOADS TO THE BUILDING STRUCTURE.

ANCHORS SHALL BE CORROSION RESISTANT, SPACED AS SHOWN ON DETAILS AND INSTALLED PER MANUF'S INSTRUCTIONS. SPECIFIED EMBEDMENT TO BASE MATERIAL SHALL BE BEYOND WALL DRESSING OR STUCCO.

A LOAD DURATION INCREASE IS USED IN DESIGN OF ANCHORS INTO WOOD ONLY. ALL SHIMS TO BE HIGH IMPACT, NON-METALLIC AND NON-COMPRESSIBLE.

MATERIALS INCLUDING BUT NOT LIMITED TO STEEL/METAL SCREWS, THAT COME INTO CONTACT WITH OTHER DISSIMILAR MATERIALS SHALL MEET THE REQUIREMENTS OF THE 2014/2017 FLORIDA BLDG. CODE & ADOPTED STANDARDS.

THIS PRODUCT APPROVAL IS GENERIC AND DOES NOT PROVIDE INFORMATION FOR A SITE SPECIFIC PROJECT, I.e. LIFE SAFETY OF THIS PRODUCT, ADEQUACY OF STRUCTURE RECEIVING THIS PRODUCT AND SEALING AROUND OPENING FOR WATER INFILTRATION RESISTANCE ETC. CONDITIONS NOT SHOWN IN THIS DRAWING ARE TO BE ANALYZED SEPARATELY, AND TO BE REVIEWED BY BUILDING OFFICIAL.

MANUFACTURER'S LABEL SHALL BE LOCATED ON A READILY VISIBLE LOCATION IN ACCORDANCE WITH SECTION 1709.9.3 OF FLORIDA BUILDING CODE. LABELING TO COMPLY WITH SECTION 1709.9.2.

A- CONTRACTOR TO BE RESPONSIBLE FOR THE SELECTION, PURCHASE AND INSTALLATION OF THIS PRODUCT BASED ON THIS PRODUCT EVALUATION PROVIDED HE/SH/HE DOES NOT DEVIATE FROM THE CONDITIONS DETAILED ON THIS DOCUMENT.
 B- THIS PRODUCT EVALUATION DOCUMENT WILL BE CONSIDERED INVALID IF ALTERED BY ANY MEANS.
 C- SITE SPECIFIC PROJECTS SHALL BE PREPARED BY A FLORIDA REGISTERED PROFESSIONAL ENGINEER (P.E.) WHO WILL BE RESPONSIBLE FOR THE PROPER USE OF THIS P.E.D. ENGINEER OF RECORD, ACTING AS A DELEGATED ENGINEER TO THE P.E.D. ENGINEER SHALL SUBMIT TO THIS LATTER THE SITE SPECIFIC DRAWINGS FOR REVIEW.
 D- THIS P.E.D. SHALL BEAR THE DATE AND ORIGINAL SEAL AND SIGNATURE OF THE PROFESSIONAL ENGINEER OF RECORD THAT PREPARED IT.

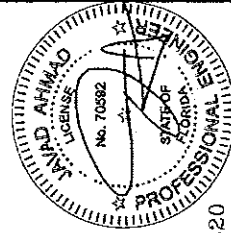
Sealed: 12/27/2017

AL-FAROO CORPORATION
 ENGINEERS & PRODUCT DEVELOPMENT
 9360 SUNSET DRIVE, SUITE 220
 MIAMI, FLORIDA 33178
 (C.A.N. 5528)
 TEL (305) 264-8100
 FAX (305) 262-9878
 COMP-ANL W17-55SM

SERIES 500-12 ALUM OUTSWING ENTRANCE DOOR (L.L.)
 SIW IMPACT WINDOWS, LLC
 975 S. CONGRESS AVE. #102
 DELRAY BEACH, FL 33445
 TEL (561) 274-8392
 FAX (561) 274-9262

Revisions:	no. date	by description
1	06-05-17	
2	1/27-1-07	
3		
4		
5		
6		
7		
8		
9		
10		

drawing no. **W17-55**
 sheet 2 of 10



FL # 18320

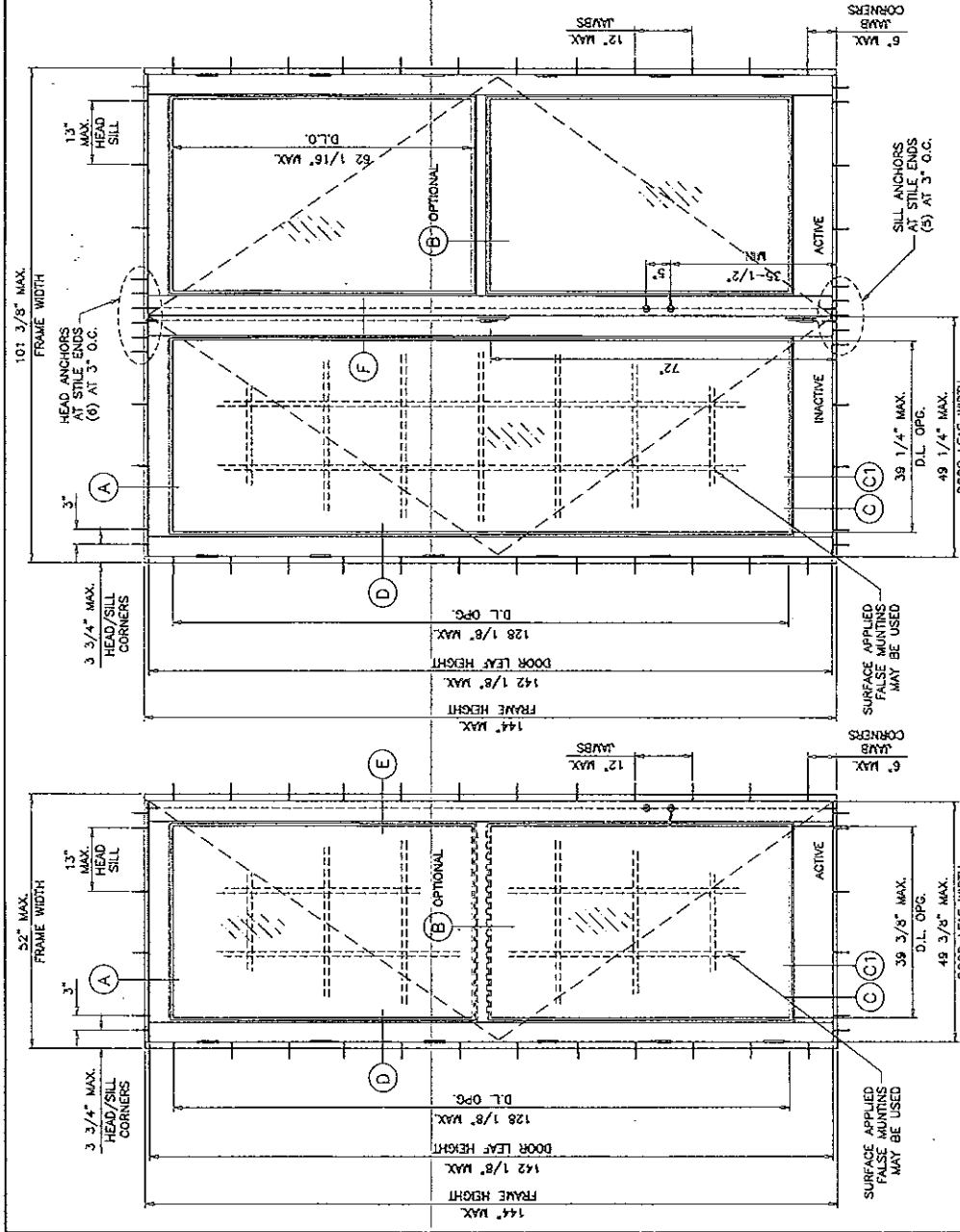
Sealed: 12/7/2017

**DOORS WITH
 LOW-RISE THRESHOLD
 HI-RISE THRESHOLD**

DOOR D.L.O. DIMS.
 D.L.O. HEIGHT = FRAME HEIGHT - 15.875"
 D.L.O. WIDTH (X DOORS) = FRAME WIDTH - 12.625"
 D.L.O. WIDTH (XX DOORS) = (FRAME WIDTH - 22.875)/2

NOTE:
 GLASS CAPACITIES ON THIS SHEET ARE
 BASED ON ASTM E1300-09 (3 SEC. GUSTS)
 AND FLORIDA BUILDING COMMISSION
 DECLARATORY STATEMENT DCA05-DEC-219

NOTE:
 VERIFY COMPLIANCE WITH EGRESS LIMITATIONS
 WHERE REQUIRED.



TYPICAL ELEVATION (X)

TYPICAL ELEVATION (XX)

DOORS LOAD CAPACITY - PSF
 DOUBLE DOORS (XX)

CLASS TYPES	FRAME DIMS.		LEAF DIMS.		LOW-RISE & HI-RISE THRESHOLD	
	WIDTH	HEIGHT	WIDTH	HEIGHT	EXT (+)	INT (-)
'A' & 'B'	76"	120"	36-3/8"	118-1/8"	60.0	60.0
'B'	101-3/8"	144"	49-1/4"	142-1/8"	55.0	55.0

APPROVED FOR WATER INFILTRATION RESISTANCE.

DOORS LOAD CAPACITY - PSF
 SINGLE DOORS (X)

CLASS TYPES	FRAME DIMS.		LEAF DIMS.		LOW-RISE & HI-RISE THRESHOLD	
	WIDTH	HEIGHT	WIDTH	HEIGHT	EXT (+)	INT (-)
'A'	39"	120"	38-3/8"	118-1/8"	60.0	60.0
'B'	39"	144"	38-3/8"	142-1/8"	60.0	60.0
'B'	52"	144"	49-3/8"	142-1/8"	55.0	55.0

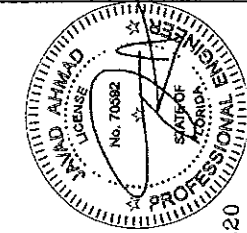
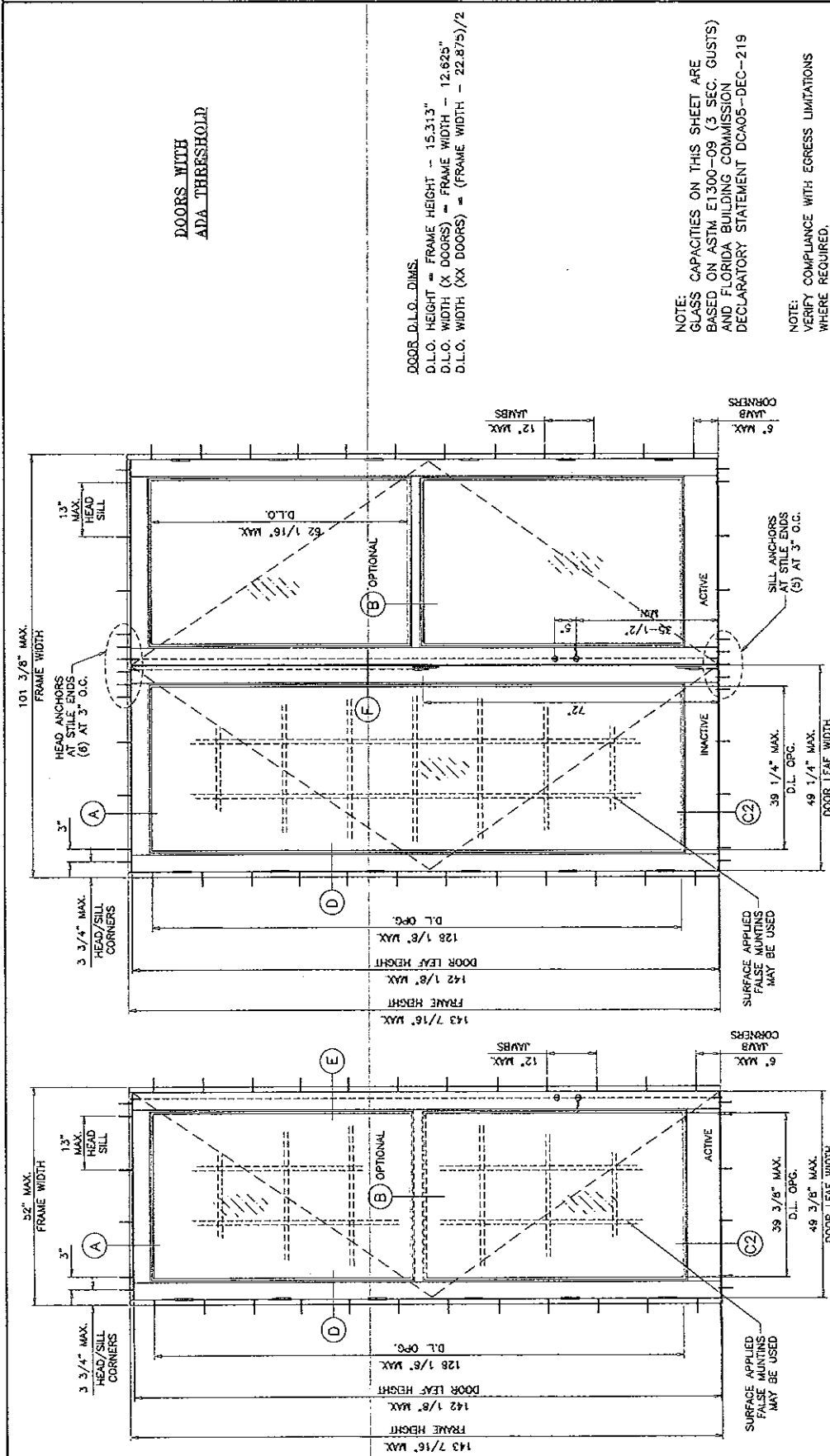
APPROVED FOR WATER INFILTRATION RESISTANCE.

AL-FAROO CORPORATION
 ENGINEERS & PRODUCT DEVELOPMENT
 9360 SUNSET DRIVE, SUITE 220
 MIAMI, FLORIDA 33173 (C.A.N. 3538)
 TEL (305) 264-8100 FAX (305) 262-9378
 COMP-ANL W17-555M

SERIES 500-12 ALUM OUTSWING ENTRANCE DOOR (L.W.)
 SIM IMPACT WINDOWS, LLC.
 975 S. CONGRESS AVE. #102
 DELRAY BEACH, FL 33445
 TEL (561) 274-9392 FAX (561) 274-9262

REV	DATE	DESCRIPTION
05-05-17		

drawing no. **W17-55**
 sheet 3 of 10



NOTE:
 GLASS CAPACITIES ON THIS SHEET ARE
 BASED ON ASTM E1300-09 (3 SEC. GUSTS)
 AND FLORIDA BUILDING COMMISSION
 DECLARATORY STATEMENT DCA05-DEC-219

NOTE:
 VERIFY COMPLIANCE WITH EGRESS LIMITATIONS
 WHERE REQUIRED.

DOOR OPTIONS

GLASS TYPES	FRAME DIMS.		LEAF DIMS.		ADA THRESHOLD	
	WIDTH	HEIGHT	WIDTH	HEIGHT	EXT.(+)	INT.(-)
'A' & 'B'	76"	119-7/16"	36-3/8"	118-1/8"	60.0	60.0
'B'	101-3/8"	143-7/16"	48-1/4"	142-1/8"	55.0	55.0

DOORS LOAD CAPACITY - PSF
 DOUBLE DOORS (XX)

CLASS TYPES	FRAME DIMS.		LEAF DIMS.		ADA THRESHOLD	
	WIDTH	HEIGHT	WIDTH	HEIGHT	EXT.(+)	INT.(-)
'A'	39"	119-7/16"	36-3/8"	118-1/8"	60.0	60.0
'B'	39"	143-7/16"	36-3/8"	142-1/8"	60.0	60.0
'B'	52"	143-7/16"	49-3/8"	142-1/8"	55.0	55.0

DOORS LOAD CAPACITY - PSF
 SINGLE DOORS (X)

NOT APPROVED FOR INSTALLATIONS WHERE WATER INFILTRATION RESISTANCE IS REQD.

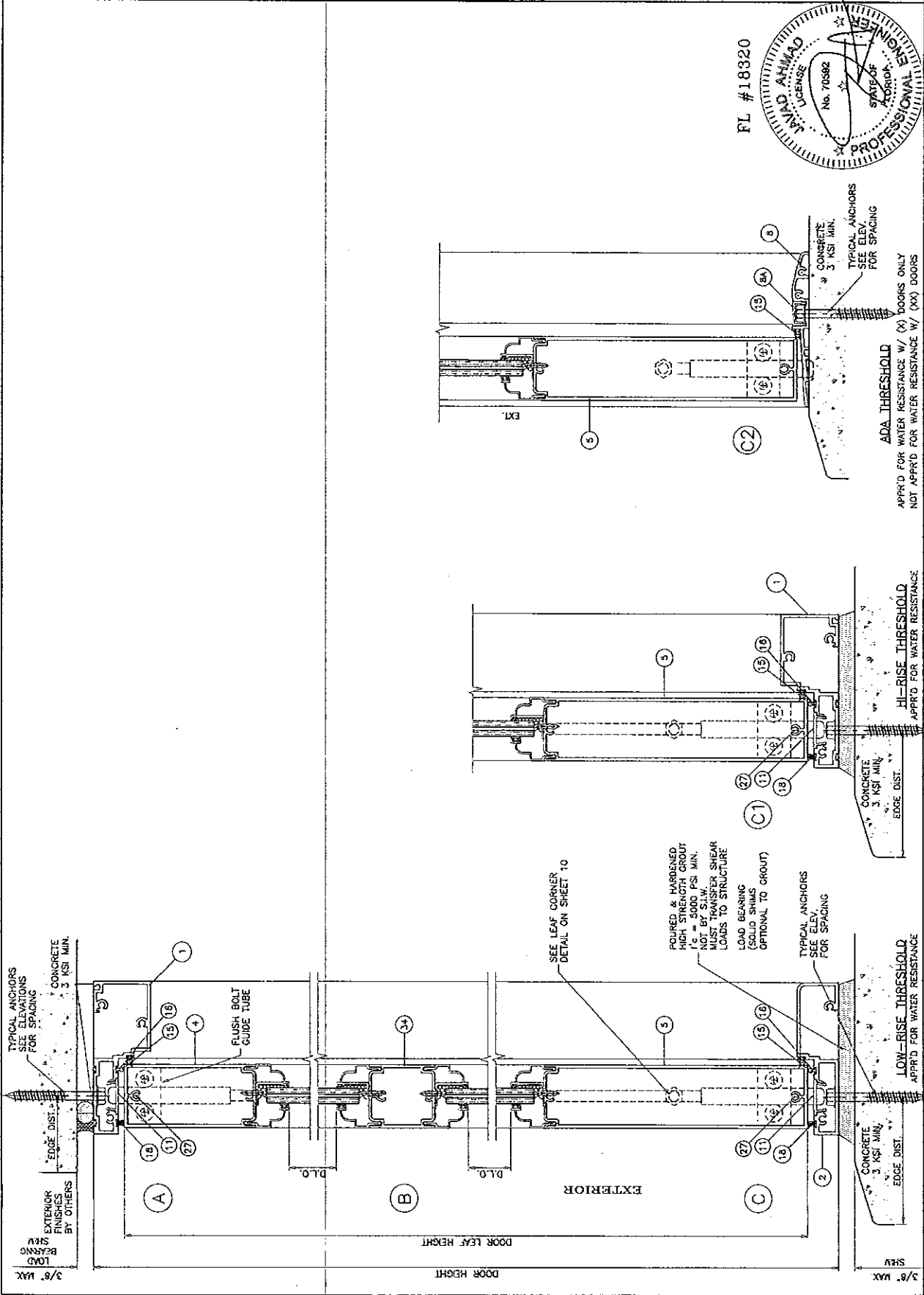
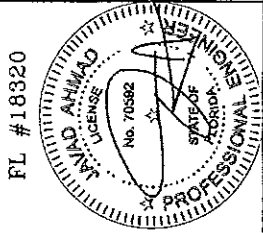
LIMIT MAX. EXTERIOR (A) LOADS TO 55.0 PSF FOR INSTALLATIONS WHERE WATER INFILTRATION RESISTANCE IS REQD.

AL-FAROOQ CORPORATION
 ENGINEERS & PRODUCT DEVELOPMENT
 9360 SUNSET DRIVE, SUITE 220
 MIAMI, FLORIDA 33173 (C.A.N. 3538)
 TEL (305) 264-8100 FAX (305) 262-6978
 COMP-ANI\W17-555W

SERIES 500-12 ALUM OUTSWING ENTRANCE DOOR (L.M.I.)
 SIM IMPACT WINDOWS, LLC.
 975 S. CONGRESS AVE. #102
 DELRAY BEACH, FL. 33445
 TEL (561) 274-9392 FAX (561) 274-9262

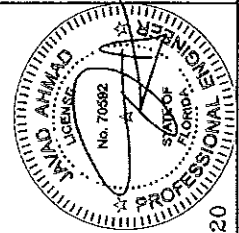
NO	DATE	BY	DESCRIPTION

drawing no. **W17-55**
 sheet 4 of 10
 date 06-05-17
 rev 3/8" x 1"



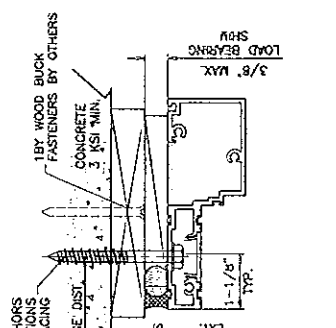
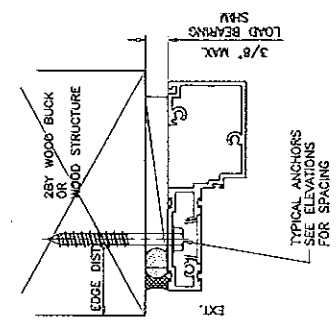
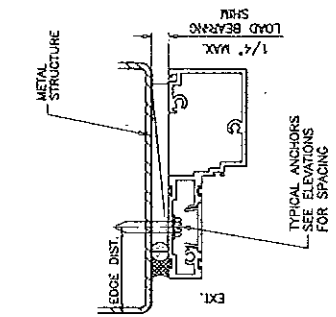
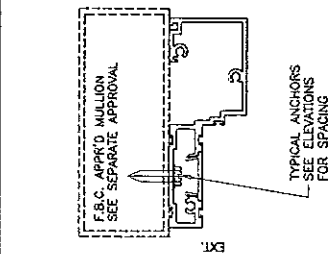
Sealed: 12/7/2017

NO	DATE	BY	DESCRIPTION



Sealed: 12/7/2017

FL # 18320



WOOD BUCKS AND METAL STRUCTURE NOT BY SIW WINDOWS MUST SUSTAIN LOADS IMPOSED BY GLAZING SYSTEM AND TRANSFER THEM TO THE BUILDING STRUCTURE.

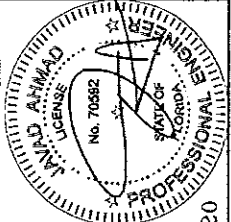
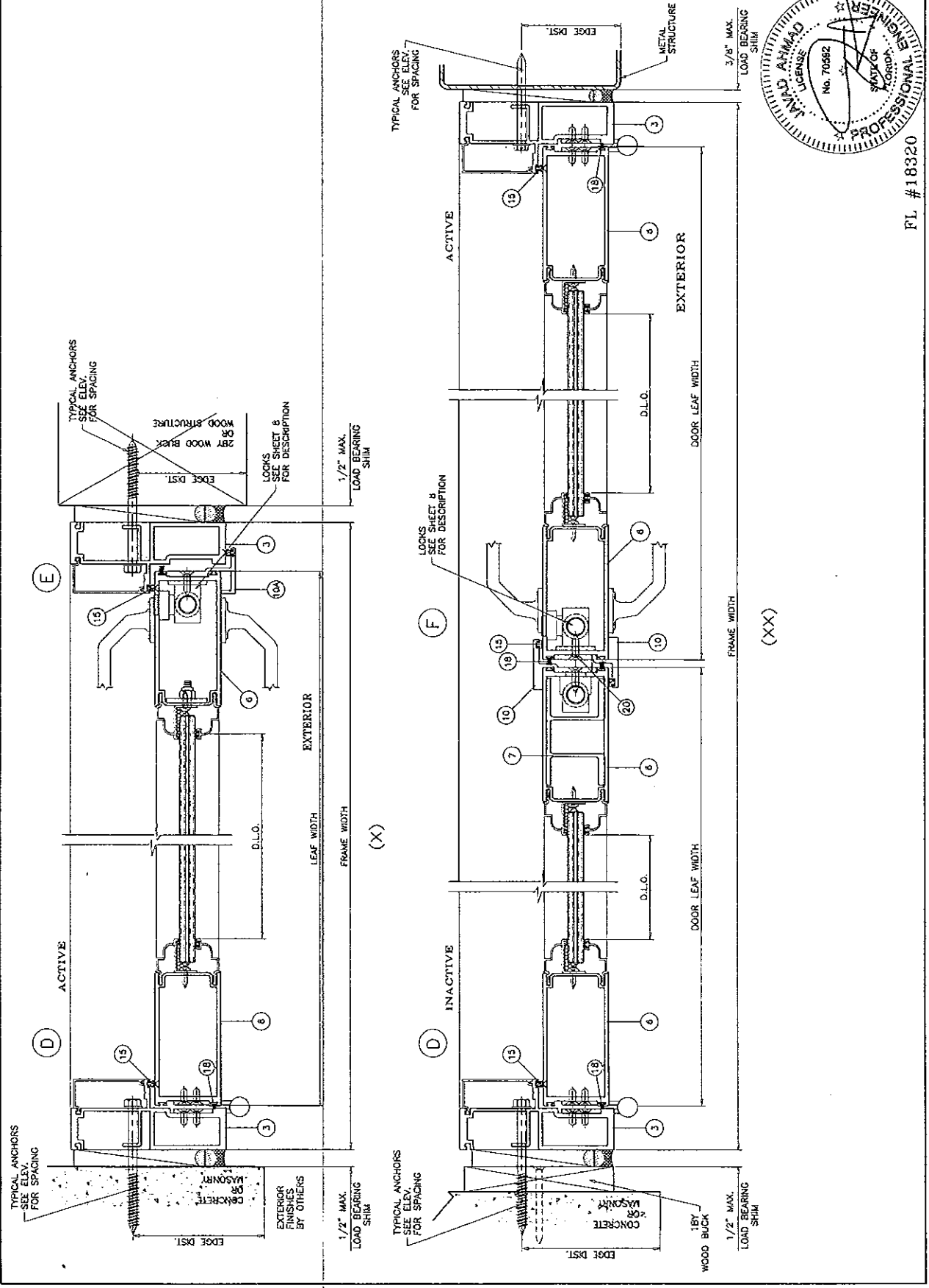
- TYPICAL ANCHORS:** SEE ELEV. FOR SPACING
- 1/4" DIA. ULTRACON BY "ELCO". (F_u=177 KSI, F_y=155 KSI)
 - MIN. LENGTH = 2-3/4"
 - 1-1/2" MIN. PENETRATION INTO WOOD (HEAD/JAMBS) THRU 1BY BUCKS INTO CONC. OR BLOCKS
 - 1-1/4" MIN. EMBED INTO CONCRETE (HEAD/JAMBS)
 - 1-1/4" MIN. EMBED INTO BLOCKS (JAMBS)
 - DIRECTLY INTO CONCRETE OR GROUT FILLED BLOCKS
 - 1-3/4" MIN. EMBED INTO CONCRETE (HEAD/SILL/JAMBS)
 - 1-3/4" MIN. EMBED INTO GROUT FILLED BLOCKS (JAMBS)
 - 1/4" DIA. TIEKS OR SELF DRILLING SCREWS (GRADE 5 CR5) INTO F.B.C. APPROVED MULLIONS
 - OR INTO METAL STRUCTURES (HEAD/JAMBS)
 - (3) THREADS MIN. PENETRATION BEYOND SUBSTRATE
 - ALUMINUM: 1/8" THK. MIN. (6063-T5 MIN.)
 - STEEL: 1/8" THK. MIN. (F_y = 36 KSI MIN.) (STEEL IN CONTACT WITH ALUMINUM TO BE PLATED OR PAINTED)
 - TYPICAL EDGE DISTANCE**
 - INTO CONCRETE AND MASONRY = 2-1/2" MIN.
 - INTO WOOD STRUCTURE = 1" MIN.
 - INTO METAL STRUCTURE = 3/4" MIN.
 - WOOD AT HEAD OR JAMBS SG = 0.55 MIN.
 - CONCRETE AT HEAD, SILL OR JAMBS f_c = 3000 PSI MIN.
 - C-90 GROUT FILLED BLOCK AT JAMBS f_m = 2000 PSI MIN.
 - ANCHORS MAY BE HEX OR FLAT HEAD.

AL-FAROQ CORPORATION
 ENGINEERS & PRODUCT DEVELOPMENT
 9360 SUNSET DRIVE, SUITE 220
 MIAMI, FLORIDA 33173 (C.A.N. 3888)
 TEL (305) 264-8100 FAX (305) 262-6978
 COMP-ANL W17-55SM

SECS 500-12 ALUM OUTSWING ENTRANCE DOOR (U.L.)
 SW IMPACT WINDOWS, LLC
 975 S. CONGRESS AVE. #102
 DELRAY BEACH, FL 33445
 TEL (661) 274-9392 FAX (561) 274-9282

REV	DATE	BY	DESCRIPTION

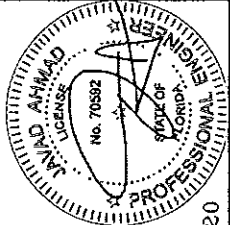
DATE: 06-06-17
 DRAWING NO: W17-55
 SHEET 6 OF 10



FL #18320

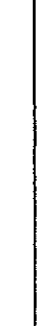
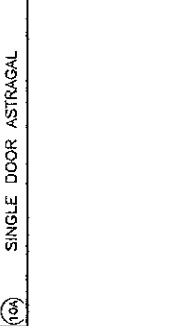
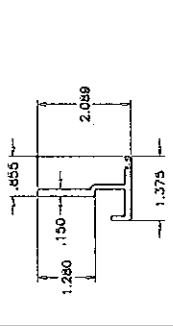
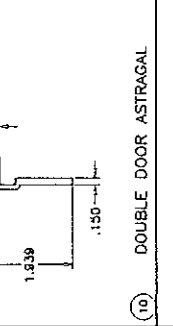
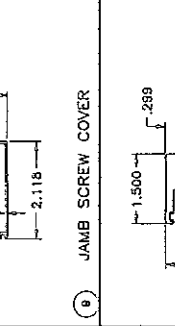
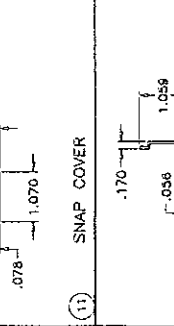
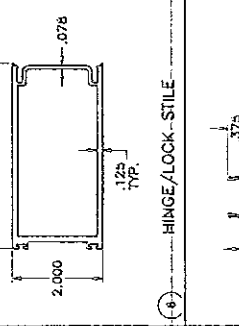
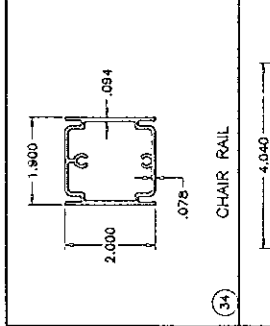
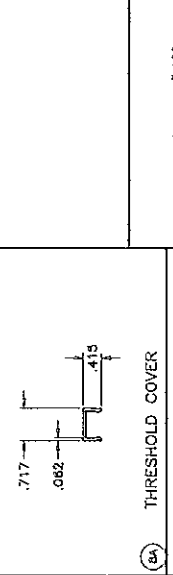
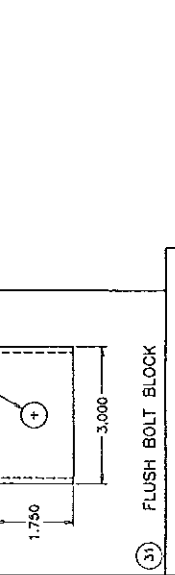
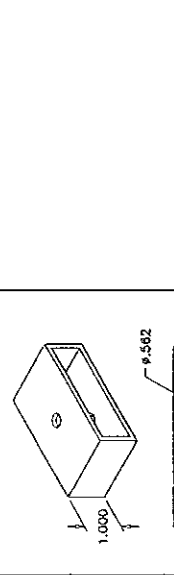
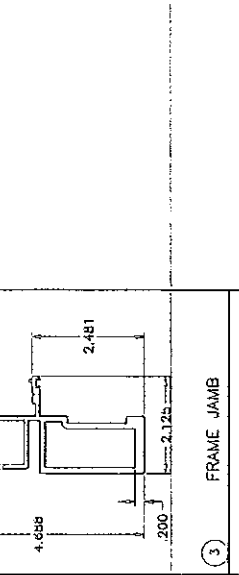
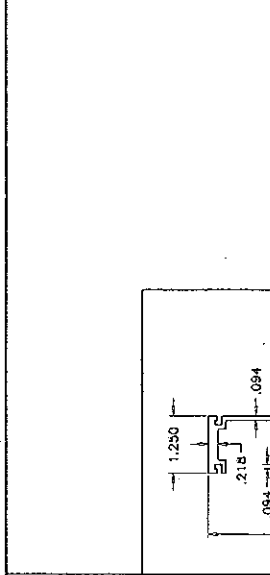
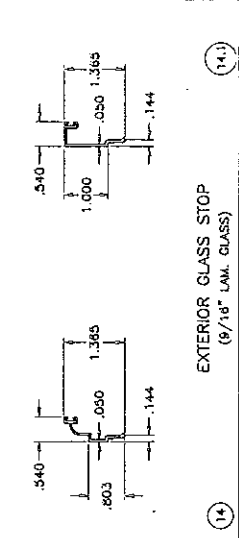
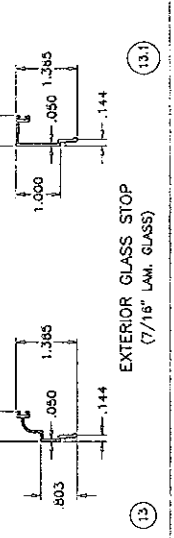
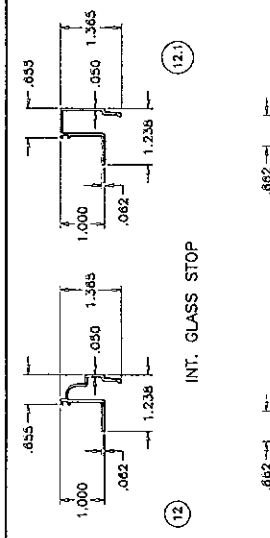
Sealed: 12/7/2017

Revisions:	no.	date	by	description



FL #18920

Sealed: 12/7/2017



LOCK OPTIONS:

OPTION #1:

SID. 3 POINT LOCK = 144 IN.
 MAX. FRAME HEIGHT = 36-3/4 IN.
 MAX. LEAF WIDTH = +60.0 PSF
 MAX. DESIGN LOAD = -60.0 PSF

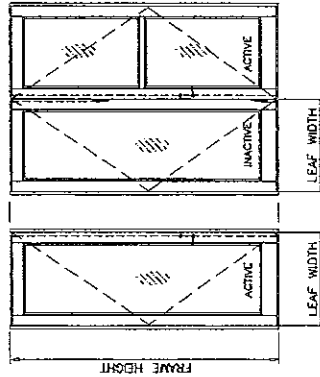
SID. 3 POINT LOCK = 144 IN.
 MAX. FRAME HEIGHT = 49-1/4 IN.
 MAX. LEAF WIDTH = +55.0 PSF
 MAX. DESIGN LOAD = -55.0 PSF

ACTIVE LEAF:

3 POINT LOCK SYSTEM SERIES 2222 BY 'REGENT' AT 36" FROM BOTTOM HANDLE ACTIVATES 6 PLY HOOK LOCK AND SHOOT BOLTS ENGAGING AT HEAD AND SILL KEYS OPERATED ON EXTERIOR AND THUMB TURN ON INTERIOR TO ACTIVE LOCK STYLE WITH PASTERS TO ACTIVE LOCK STILE WITH (2) #10-32 X 1/2" FH MACHINE SCREWS

INACTIVE LEAF:

CONCEALED FLUSH BOLTS (FB-1202-914) BY 'SULLIVAN & ASSOC.' MANUALLY OPERATED LEVERS MOUNTED ON EDGE OF LEAF STILE LOCATED AT 13-1/2" FROM BOTTOM AND 34" FROM TOP



OPTION #2:

SID. 3 POINT LOCK = 144 IN.
 MAX. FRAME HEIGHT = 36-3/4 IN.
 MAX. LEAF WIDTH = +60.0 PSF
 MAX. DESIGN LOAD = -60.0 PSF

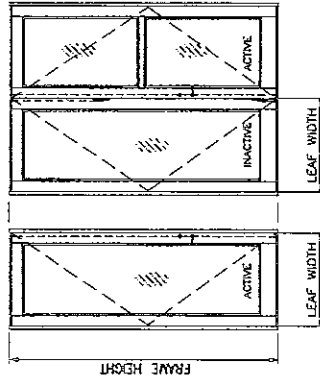
SID. 3 POINT LOCK = 144 IN.
 MAX. FRAME HEIGHT = 49-1/4 IN.
 MAX. LEAF WIDTH = +55.0 PSF
 MAX. DESIGN LOAD = -55.0 PSF

ACTIVE LEAF:

SENTINEL MULTIPoint LOCK (W5110) BY 'ASHLAND' WITH THROW BOLT AT 36" FROM BOTTOM FLUSH BOLTS CONNECTED TO LOCK KEY OPERATED ON EXTERIOR AND THUMB TURN ON INTERIOR TO ACTIVE LOCK STYLE WITH PASTERS TO ACTIVE LOCK STILE WITH (2) #10 MACHINE SCREWS

INACTIVE LEAF:

CONCEALED FLUSH BOLTS (FB-1202-914) BY 'SULLIVAN & ASSOC.' MANUALLY OPERATED LEVERS MOUNTED ON EDGE OF LEAF STILE LOCATED AT 13-1/2" FROM BOTTOM AND 34" FROM TOP



OPTION #3:

SID. 3 POINT LOCK = 144 IN.
 MAX. FRAME HEIGHT = 36-3/4 IN.
 MAX. LEAF WIDTH = +60.0 PSF
 MAX. DESIGN LOAD = -60.0 PSF

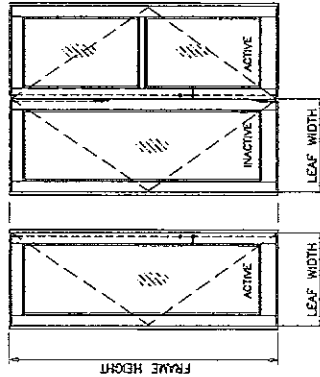
SID. 3 POINT LOCK = 144 IN.
 MAX. FRAME HEIGHT = 49-1/4 IN.
 MAX. LEAF WIDTH = +55.0 PSF
 MAX. DESIGN LOAD = -55.0 PSF

ACTIVE LEAF:

3 POINT LOCK (DL01-8014) BY 'INTERLOCK USA' WITH THROW BOLT AT 36" FROM BOTTOM FLUSH BOLTS CONNECTED TO LOCK KEY OPERATED ON EXTERIOR AND THUMB TURN ON INTERIOR TO ACTIVE LOCK STYLE WITH PASTERS TO ACTIVE LOCK STILE WITH (2) #12-24 X 1/2" FH MACHINE SCREWS

INACTIVE LEAF:

CONCEALED FLUSH BOLTS (FB-1202-914) BY 'SULLIVAN & ASSOC.' MANUALLY OPERATED LEVERS MOUNTED ON EDGE OF LEAF STILE LOCATED AT 13-1/2" FROM BOTTOM AND 34" FROM TOP



HINGERS:

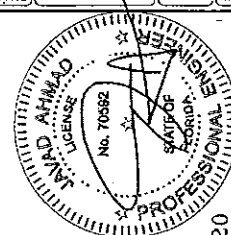
4" X 4" ST. STEEL BUTT HINGES (DSBAMB OR 5M4HD) AT 13" FROM TOP AND BOTTOM ENDS AND 21-1/2" O.C. MAX. HINGE ATTACHED TO DOOR FRAME AND DOOR STILE USING (4) #12 X 1/2" FH MS 5 HINGES PER LEAF (UP TO 120" HEIGHT) 6 HINGES PER LEAF (ABOVE 120" HEIGHT)

AL-FAROOQ CORPORATION
 ENGINEERS & PRODUCT DEVELOPMENT
 9360 SUNSET DRIVE, SUITE 220
 MIAMI, FLORIDA 33173 (C.A.N. 3528)
 TEL (305) 264-8100 FAX (305) 262-6978
 COMP-AYL W17-555M

SERIES 500-12 ALUM OUTSWING ENTRANCE DOOR (LUL)
 SIM IMPACT WINDOWS, LLC.
 975 S. CONGRESS AVE. #102
 DELRAY BEACH, FL 33445
 TEL (561) 274-9392 FAX (561) 274-9262

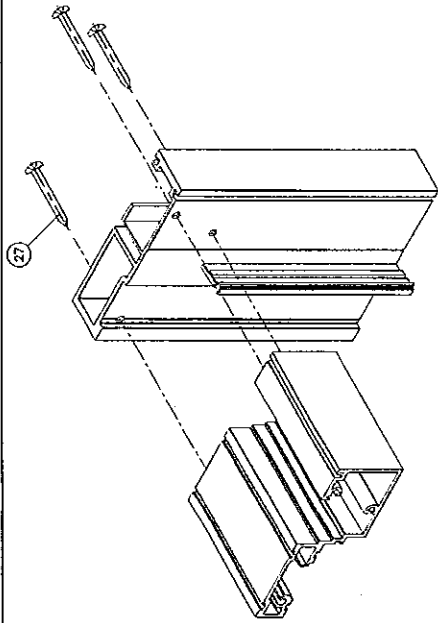
no	date	by	description

date: 05-05-17
 scale: 3/8" = 1"
 drawing no: W17-55
 sheet: 8 of 10

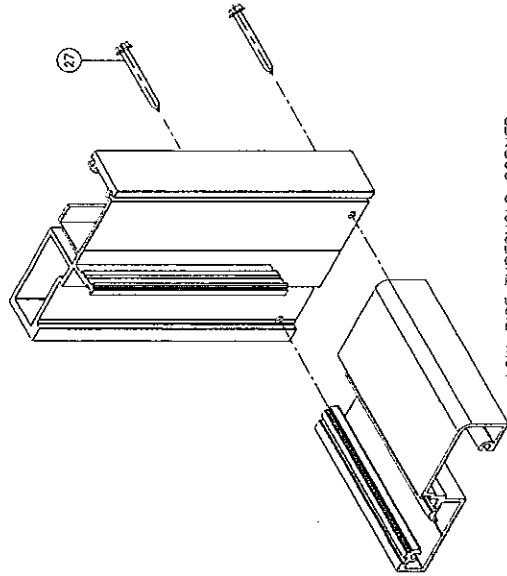


FL #18320

Sealed: 12/7/2017



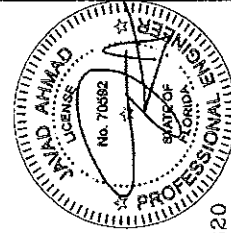
DOOR FRAME TOP CORNER
HI-RISE THRESHOLD CORNER



LOW-RISE THRESHOLD CORNER

ITEM #	PART #	REQD.	DESCRIPTION	MATERIAL	MFGP./SUPPLIER/REMARKS
1	SW605	1	FRAME HEAD/SILL	6063-T6	
2	SW615	1	LOW-RISE THRESHOLD	6063-T6	
3	SW606	2/DOOR	FRAME JAMB	6063-T6	
4	SW602	1/ LEAF	DOOR TOP RAIL	6063-T6	
5	SW636	1/ LEAF	DOOR BOTTOM RAIL	6063-T6	
6	SW603	2/ LEAF	HINGE STILE/LOCK STILE	6063-T6	
7	SW608	1/ LEAF	INACTIVE STILE REINFORCING	6063-T6	
8	SW648	1	ADA THRESHOLD	6063-T6	
9	SW647	1	THRESHOLD COVER	6063-T6	
10	SW611	AS REQD.	JAMB SCREW COVER	6063-T6	
11	SW609	AS REQD.	DOUBLE DOOR ASTRAGAL	6063-T6	
12	SW635	AS REQD.	SINGLE DOOR ASTRAGAL	6063-T6	
13	SW610	AS REQD.	SCREW COVER	6063-T5	
14	SW612	AS REQD.	INTERIOR GLASS STOP	6063-T5	
15	SW640	AS REQD.	INTERIOR GLASS STOP SQUARE	6063-T5	
16	SW613	AS REQD.	EXTERIOR GLASS STOP (7/16" LAM. GLASS)	6063-T6	
17	SW641	AS REQD.	EXTERIOR GLASS STOP SQUARE (7/16" LAM. GLASS)	6063-T6	
18	SW642	AS REQD.	EXTERIOR GLASS STOP SQUARE (9/16" LAM. GLASS)	6063-T6	
19	SW643	AS REQD.	EXTERIOR GLASS STOP SQUARE (9/16" LAM. GLASS)	6063-T6	
20	9018E	-	BULB W/STRIPPING	VINYL	CENTRAL PLASTICS
21	U4513	-	Q-LON W/STRIPPING	VINYL	SCHUEGL
22	5530	AS REQD.	INTERIOR GLAZING GASKET (DUROMETER 70±5)	SANTOPRENE	BY CENTRAL PLASTICS
23	W23201NW0020	AS REQD.	EXTERIOR GLAZING GASKET (DUROMETER 70±5)	SANTOPRENE	BY CENTRAL PLASTICS
24	#8 X 1/2"	-	FINSEAL PILE W/STRIPPING	-	ULTRAFAB
25	#8 X 1/2"	-	ASTRAGAL SCREWS PH SMS	-	AT 4" FROM ENDS & 8" O.C.
26	#12 X 1-1/4"	-	CLASS STOP SCREWS SELF DRILLING	-	AT 8" FROM ENDS & 15" O.C. MAX.
27	SD44HD	4/LEAF	FIX. PANEL SCREWS PH SMS	-	AT 6" FROM ENDS & 17" O.C. MAX.
28	#12 X 1/2"	1/ CORNER	BUTT HINGES	ST. STEEL	STAINLESS STEEL
29	SW 521	AS REQD.	FRAME AND LEAF ASSEMBLY SCREWS	PH SMS	
30	#2	AS REQD.	HINGE ASSEMBLY SCREWS	ST. STEEL	PH SMS
31	WA110-STAT06	-	FLUSH BOLT BLOCK	6063-T6	FR. MS TYPE F SS
32	SW639	-	FLUSH BOLTS	-	SULLIVAN & ASSOC.
33	SW638	-	SENTINEL MULTIPoint LOCK	-	SULLIVAN & ASSOC.
34	SW637	-	2" CHAIR RAIL	6063-T6	ASHLAND HARDWARE
35	-	2/ LITE	SETTING BLOCK	EPDM	DUROMETER 85±5 SHORE A

SEALANTS:
ALL JOINTS AND FRAME CONNECTIONS SEALED WITH
SMALL JOINT SEALER.



FL # 18320

ADA THRESHOLD CORNER

LOW-RISE THRESHOLD CORNER

Sealed:12/7/2017

AL-FAROQ CORPORATION
ENGINEERS & PRODUCT DEVELOPMENT
9360 SUNSET DRIVE, SUITE 220
MIAMI, FLORIDA 33178
(C.A.N. 3538)
TEL (305) 264-8100 FAX (305) 262-6978
COMP-AHL W17-55SM

SWS IMPACT WINDOWS, L.L.C.
975 S. CONGRESS AVE. #102
DELRAY BEACH, FL 33445
TEL (561) 274-8392 FAX (561) 274-9262

REVISIONS:
NO. DATE BY DESCRIPTION

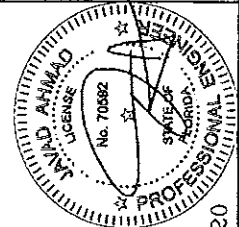
DATE: 06-06-17
SCALE: 3/8" = 1"
DRAWING NO. W17-55
SHEET 9 OF 10

AL-FAROQ CORPORATION
 ENGINEERS & PRODUCT DEVELOPMENT
 9360 SUNSET DRIVE, SUITE 220
 MIAMI, FLORIDA 33173 (C.A.N. 8538)
 TEL: (305) 264-8100 FAX: (305) 262-9378
 COMP-ANL\W17-5551H

SERIES 500-12 ALUM. OUTSWING ENTRANCE DOOR (L.H.)
 SIMW IMPACT WINDOWS, L.L.C.
 975 S. CONGRESS AVE. #102
 DELRAY BEACH, FL 33445
 TEL: (561) 274-8392 FAX: (561) 274-9262

no	date	by	description

date: 06-05-17
 scale: 3/8" = 1"
 drawing no. W17-55
 sheet 10 of 10



FL #18320

Sealed: 12/7/2017

