



MIAMI-DADE COUNTY  
 PRODUCT CONTROL SECTION  
 11805 SW 26 Street, Room 208  
 Miami, Florida 33175-2474  
 T (786) 315-2590 F (786) 315-2599  
[www.miamidade.gov/economy](http://www.miamidade.gov/economy)

DEPARTMENT OF REGULATORY AND ECONOMIC RESOURCES (RER)  
 BOARD AND CODE ADMINISTRATION DIVISION  
**NOTICE OF ACCEPTANCE (NOA)**

SIW Impact Windows, LLC  
 975 S. Congress Ave. # 102  
 Delray Beach, Florida 33445

**SCOPE:**

This NOA is being issued under the applicable rules and regulations governing the use of construction materials. The documentation submitted has been reviewed and accepted by Miami-Dade County RER -Product Control Section to be used in Miami Dade County and other areas where allowed by the Authority Having Jurisdiction (AHJ).

This NOA shall not be valid after the expiration date stated below. The Miami-Dade County Product Control Section (In Miami Dade County) and/or the AHJ (in areas other than Miami Dade County) reserve the right to have this product or material tested for quality assurance purposes. If this product or material fails to perform in the accepted manner, the manufacturer will incur the expense of such testing and the AHJ may immediately revoke, modify, or suspend the use of such product or material within their jurisdiction. RER reserves the right to revoke this acceptance, if it is determined by Miami-Dade County Product Control Section that this product or material fails to meet the requirements of the applicable building code.

This product is approved as described herein, and has been designed to comply with the Florida Building Code, including the High Velocity Hurricane Zone.

**DESCRIPTION:** Series "500-11" Aluminum Outswing Doors w/wo Sidelite.

**APPROVAL DOCUMENT:** Drawing No. W13-69 Rev B, titled "Series 500-11 Alum Outswing Entrance Door (L.M.I.)", sheets 1 through 14 of 14, dated 12-31-13 and last revised on Jul 31, 2014, prepared by Al-Farooq Corporation, signed and sealed by Javad Ahmad, P. E., bearing the Miami-Dade County Product Control Approval stamp with the Notice of Acceptance number and expiration date by the Miami-Dade County Product Control Section.

**MISSILE IMPACT RATING:** Large and Small Missile Impact

**Limitations:**

1. See DP tables for X & XX in sheets 2 & 3, O (Narrow or Wide stile) in sheet 4 and X & XX doors mulled w/ Sidelites in 5 & 6. Lower DP from door or sidelites may control.
2. Max single door leaf width mulled with sidelite in sheet 5 & 6, shall not exceed = 36-91/6".
3. Double doors w/ADA threshold is not rated for water Resistance\* and limited to DP=+/- 50 PSF (See sheet 7).
3. Glass lites wider than 36" shall have two setting blocks per FBC requirements.

**LABELING:** Each unit shall bear a permanent label with the manufacturer's name or logo, city, state and series and following statement: "Miami-Dade County Product Control Approved", noted herein.

**RENEWAL** of this NOA shall be considered after a renewal application has been filed and there has been no change in the applicable building code negatively affecting the performance of this product.

**TERMINATION** of this NOA will occur after the expiration date or if there has been a revision or change in the materials, use, and/or manufacture of the product or process. Misuse of this NOA as an endorsement of any product, for sales, advertising or any other purposes shall automatically terminate this NOA. Failure to comply with any section of this NOA shall be cause for termination and removal of NOA.

**ADVERTISEMENT:** The NOA number preceded by the words Miami-Dade County, Florida, and followed by the expiration date may be displayed in advertising literature. If any portion of the NOA is displayed, then it shall be done in its entirety.

**INSPECTION:** A copy of this entire NOA shall be provided to the user by the manufacturer or its distributors and shall be available for inspection at the job site at the request of the Building Official.

This NOA consists of this page 1 and evidence pages E-1 & E-2, as well as approval document mentioned above.

The submitted documentation was reviewed by Ishaq I. Chanda, P.E.



NOA No. 14-0305.07  
 Expiration Date: May 22, 2018  
 Approval Date: August 08, 2014  
 Page 1

4/8/14

NOTICE OF ACCEPTANCE: EVIDENCE SUBMITTED

**A. DRAWINGS**

1. Manufacturer's die drawings and sections.
2. Drawing No. **W13-69 Rev B**, titled "Series 500-11 Alum Outswing Entrance Door (L.M.I.)", sheets 1 through 14 of 14, dated 12-31-13 and last revised on Jul 31, 2014, prepared by Al-Farooq Corporation, signed and sealed by Javad Ahmad, P.E.

**B. TESTS**

1. Test reports on: 1) Air Infiltration Test, per FBC, TAS 202-94
  - 2) Uniform Static Air Pressure Test, Loading per FBC TAS 202-94
  - 3) Water Resistance Test, per FBC, TAS 202-94
  - 4) Large Missile Impact Test per FBC, TAS 201-94
  - 5) Cyclic Wind Pressure Loading per FBC, TAS 203-94
  - 6) Forced Entry Test, per FBC 2411 3.2.1, TAS 202-94

Along with installation diagram of Single Aluminum Outswing doors w/ sidelite, prepared by Black Water Testing Inc., Test reports # **BT-SIW-13-005**, **BT-SIW-13-005(2)**, **BT-SIW-13-007**, **BT-SIW-13-007(2)**, **BT-SIW-13-009** and **BT-SIW-13-009(2)** dated OCT 29, 2013 and December 11, 2013, all signed and sealed by Yamil Kuri, P.E.

Note: The test reports #**BT-SIW-13-005(2)**, #**BT-SIW-13-007(2)** and #**BT-SIW-13-009(2)** have been revised by an addendum letter dated 05/09/14, issued by Black Water Testing Inc., signed and sealed by Yamil Kuri, P.E.

2. Additional Reference Test reports on: 1) Air Infiltration Test, per FBC, TAS 202-94
  - 2) Uniform Static Air Pressure Test, Loading per FBC TAS 202-94
  - 3) Water Resistance Test, per FBC, TAS 202-94
  - 4) Large Missile Impact Test per FBC, TAS 201-94
  - 5) Cyclic Wind Pressure Loading per FBC, TAS 203-94
  - 6) Forced Entry Test, per FBC 2411 3.2.1, TAS 202-94

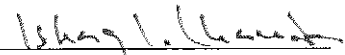
Along with installation diagram of aluminum Outswing doors w/wo sidelite and transom, prepared by Black Water Testing Inc., Test reports #**BT-SIW-13-001** and **BT-SIW-13-006** dated June 10, 2013 and December 11, 2013, both signed and sealed by Yamil Kuri, P.E.

Note: The above test reports have been revised by an addendum letter dated 05/09/14, issued by Black Water Testing Inc., signed and sealed by Yamil Kuri, P.E.

Along with installation diagram of Single Aluminum Outswing doors w/ sidelite, prepared by Black Water Testing Inc., Test reports # **BT-SIW-13-010**, **BT-SIW-13-010(2)**, **BT-SIW-13-011**, **BT-SIW-13-011(2)**, **BT-SIW-13-012** and **BT-SIW-13-013** dated OCT 29, 2013 and December 11, 2013, all signed and sealed by Yamil Kuri, P.E.

Note: The test reports #**BT-SIW-13-010(2)** and #**BT-SIW-13-011(2)** have been revised by an addendum letter dated 05/09/14, issued by Black Water Testing Inc., signed and sealed by Yamil Kuri, P.E.

Along with installation diagram of aluminum Inswing / Outswing doors w/wo sidelite and transom, prepared by Hurricane Engineering and Testing, Test Report No. HETI 07-4339, HETI 07-4371, HETI 07-4371, HETI 07-4372, HETI 07-4373 and HETI 07-4374 dated 01/03/08, HETI-08-2184A & B dated 10/01/08, HETI 09-2572A, HETI 09-2573 dated June 30, 2009, all signed and sealed by Candido Font, P.E.

  
Ishaq I. Chanda, P.E.

Product Control Examiner  
NOA No. 14-0305.07

Expiration Date: May 22, 2018  
Approval Date: August 08, 2014

NOTICE OF ACCEPTANCE: EVIDENCE SUBMITTED

**C. CALCULATIONS**

1. Anchor verification calculations complying with FBC2014, prepared by Al Farooq Corporation, dated FEB 17, 2014, Jul 11, 2014 and last revised on Jul 31, 2014, signed and sealed by Javad Ahmad, P.E.
2. Glazing complies w/ ASTM E-1300-04 & -09

**D. QUALITY ASSURANCE**

1. Miami Dade Department of Regulatory and Economic Resources (RER).

**E. MATERIAL CERTIFICATIONS**

1. Notice of Acceptance No. **11-0624.02** issued to E.I. DuPont DeNemours & Co., Inc. for their "DuPont Sentry Glass ® interlayer", expiring on 01/14/17.

**F. STATEMENTS**

1. Statement letter of conformance to FBC 2014 (5<sup>th</sup> Edition) and letter of no financial interest, prepared by Al Farooq Corporation, dated 07/11/14, signed and sealed by Javad Ahmad, P.E.
2. Lab compliance as part of the above referenced test reports.
3. Addendum letter dated 05/09/14 ref #**BT-SIW-13-005(2)**, **BT-SIW-13-007(2)** and **BT-SIW-13-009(2)**, issued by Black Water Testing Inc., signed and sealed by Yamil Kuri, P.E.
4. Addendum letter dated 05/09/14 ref #**BT-SIW-13-010(2)** and **BT-SIW-13-011(2)**, issued by Black Water Testing Inc., signed and sealed by Yamil Kuri, P.E.
5. Addendum letter dated 05/09/14 ref #**BT-SIW-13-001** and **BT-SIW-13-006**, issued by Black Water Testing Inc., signed and sealed by Yamil Kuri, P.E.
6. Addendum letter ref HETI-07-4374 dated May 06, 2008, issued by HETI, signed and sealed by Candido Font, P.E.

**G. OTHER**

1. Ref NOA(s) # 13-0220.06 & #14-0305.06 and #14-0220.08.
2. Test proposal dated 08/13/13 and 05/23/13 approved by RER



Ishaq I. Chanda, P.E.  
Product Control Examiner  
NOA No. 14-0305.07  
Expiration Date: May 22, 2018  
Approval Date: August 08, 2014

THESE DOORS ARE RATED FOR LARGE & SMALL MISSILE IMPACT. SHUTTERS ARE NOT REQUIRED.

**SERIES 500-11**  
**ALUMINUM OUTSWING ENTRANCE DOOR**

APPROVAL APPLIES TO SINGLE (X) AND DOUBLE (XX) LEAF DOORS WITH OR WITHOUT SIDELITES.  
SIDE LITES CAN BE ON ONE OR BOTH SIDES OF DOOR.  
SEE SHEETS 2 & 3 FOR SINGLE OR DOUBLE DOORS DESIGN LOAD CAPACITIES.  
SEE SHEET 4 FOR SINGLE STATIONARY PANEL LOAD CAPACITIES.  
SEE SHEETS 5 & 6 FOR SIDELITE TO DOOR COMBINATIONS.  
THE LOWEST VALUE FROM DOOR OR SIDELITE CAPACITY CHARTS WILL APPLY TO ENTIRE SYSTEM.

DOORS APPROVED FOR INSTALLATIONS WHERE WATER INFILTRATION RESISTANCE IS REQUIRED.  
SEE SHEET 7 FOR LIMITATIONS.

THIS PRODUCT HAS BEEN DESIGNED AND TESTED TO COMPLY WITH THE REQUIREMENTS OF THE FLORIDA BUILDING CODE INCLUDING HIGH VELOCITY HURRICANE ZONE (HVHZ).

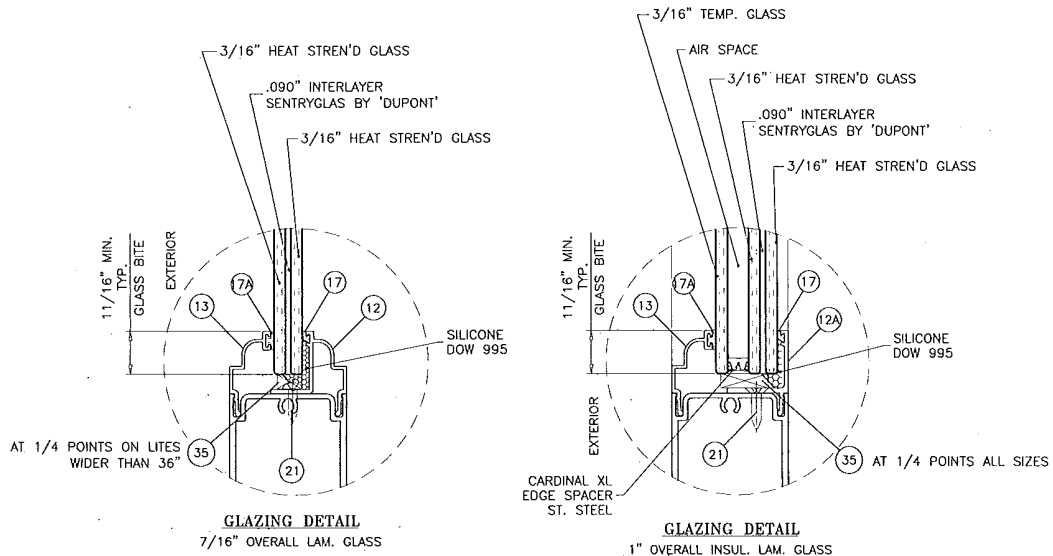
1BY OR 2BY WOOD BUCKS BY OTHERS, MUST BE ANCHORED PROPERLY TO TRANSFER LOADS TO THE STRUCTURE.

ANCHORS SHALL BE AS LISTED, SPACED AS SHOWN ON DETAILS, ANCHORS EMBEDMENT TO BASE MATERIAL SHALL BE BEYOND WALL DRESSING OR STUCCO.

ANCHORING OR LOADING CONDITIONS NOT SHOWN IN THESE DETAILS ARE NOT PART OF THIS APPROVAL.

A LOAD DURATION INCREASE IS USED IN DESIGN OF ANCHORS INTO WOOD ONLY.

MATERIALS INCLUDING BUT NOT LIMITED TO STEEL/METAL SCREWS, THAT COME INTO CONTACT WITH OTHER DISSIMILAR MATERIALS SHALL MEET THE REQUIREMENTS OF THE FLORIDA BLDG. CODE.



Approved as complying with  
Florida Building Code  
Date: 07/08/14  
NDM: [Signature]  
Miami Dade Product Control  
By: [Signature]

Engr: JAVAD AHMAD  
CIVIL  
FLA. PE # 70592  
C.A.N. 3538  
Date: 08/11/14  
Scale: 3/8" = 1"  
Dr. by: JAHM  
chk. by: [Signature]

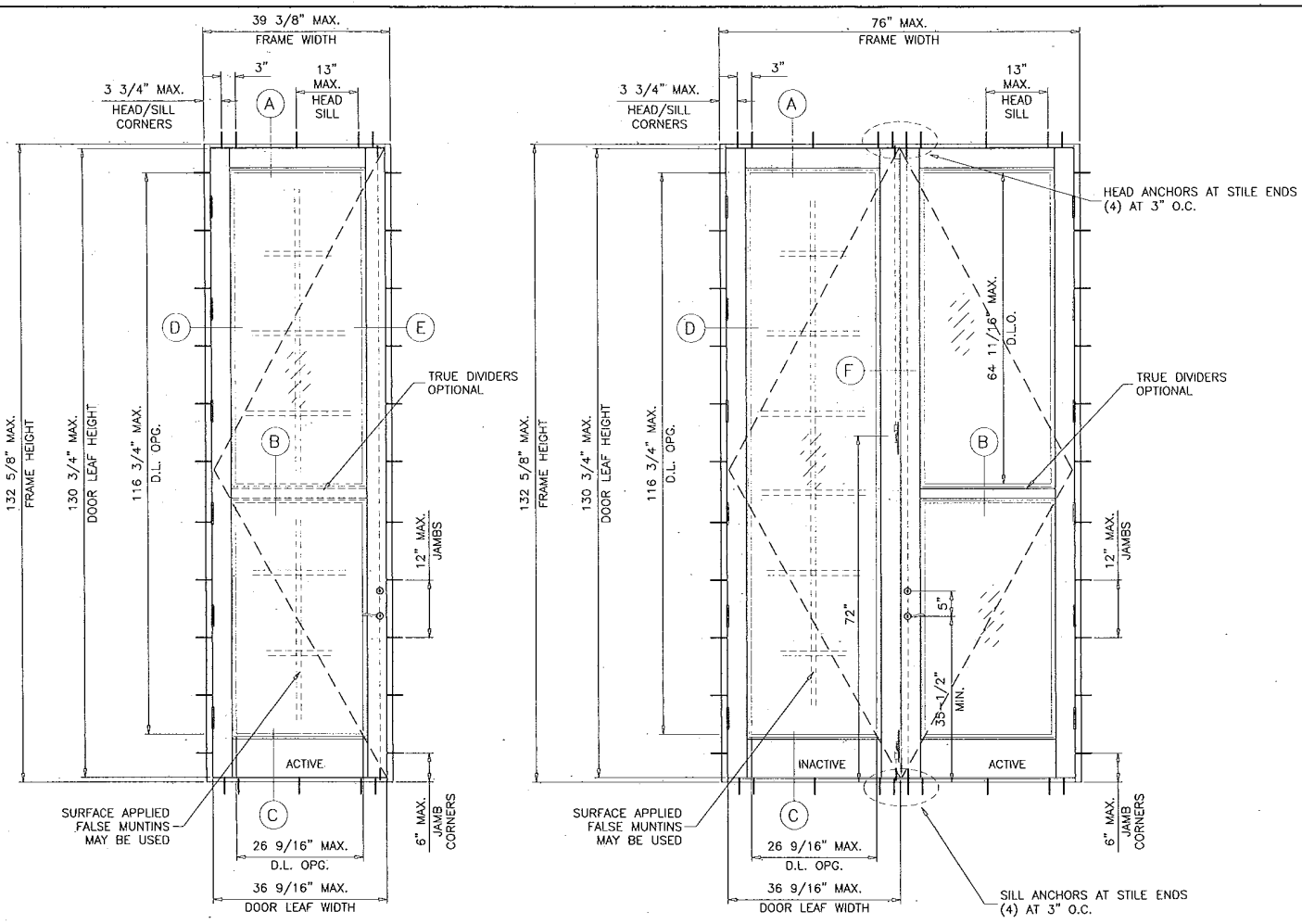
**af c**  
**AL-FAROOQ CORPORATION**  
ENGINEERS & PRODUCT DEVELOPMENT  
1235 S.W. 87 AVE  
MIAMI, FLORIDA 33174  
TEL (305) 264-8100 FAX (305) 262-6978  
COMP-ANL\W13-62SIW

SERIES 500-11 ALUM. OUTSWING ENTRANCE DOOR (L.M.I.)  
**SIW IMPACT WINDOWS, LLC.**  
975 S. CONGRESS AVE. #102  
DELRAY BEACH, FL 33445  
TEL. (561) 274-9392 FAX. (561) 274-9262

REV. NO.	DATE	DESCRIPTION	REV. PER	COMMENTS
A	07/10/14		PER	
B	07/31/14		PER	

date: 12-31-13  
scale: 3/8" = 1"  
dr. by: JAHM  
chk. by:

drawing no.  
**W13-69**  
sheet 1 of 14



DOORS LOAD CAPACITY - PSF SINGLE DOORS (X)			
DOOR DIMS.		STD. THRESHOLD	
FRAME WIDTH	FRAME HEIGHT	EXT.(+)	INT.(-)
39-3/8"	132-5/8"	50.0	50.0

NOTE:  
VERIFY COMPLIANCE WITH EGRESS LIMITATIONS WHERE REQUIRED.

**DOOR OPTIONS**

DOORS LOAD CAPACITY - PSF DOUBLE DOORS (XX)			
DOOR DIMS.		STD. THRESHOLD	
FRAME WIDTH	FRAME HEIGHT	EXT.(+)	INT.(-)
76"	132-5/8"	50.0	50.0

DOOR D.L.O. DIMS.  
 D.L.O. HEIGHT = FRAME HEIGHT - 15.875"  
 D.L.O. WIDTH (X DOORS) = FRAME WIDTH - 12.625"  
 D.L.O. WIDTH (XX DOORS) = (FRAME WIDTH - 22.875)/2

**DOORS WITH STANDARD THRESHOLD**

Approved as complying with the Florida Building Code  
 Date 08/06/14  
 NOA# 14-0305-0  
 Miami Dade Product Control  
 By: *Isaac J. Chank*

NOTE:  
GLASS CAPACITIES ON THIS SHEET ARE BASED ON ASTM E1300-09 (3 SEC. GUSTS) AND FLORIDA BUILDING COMMISSION DECLARATORY STATEMENT DCA05-DEC-219

Engr: JAWAD AHMAD  
 C.F.A.  
 F.L.A. PE # 70592  
 C.A.N. 3538  
 JUL 31 2014

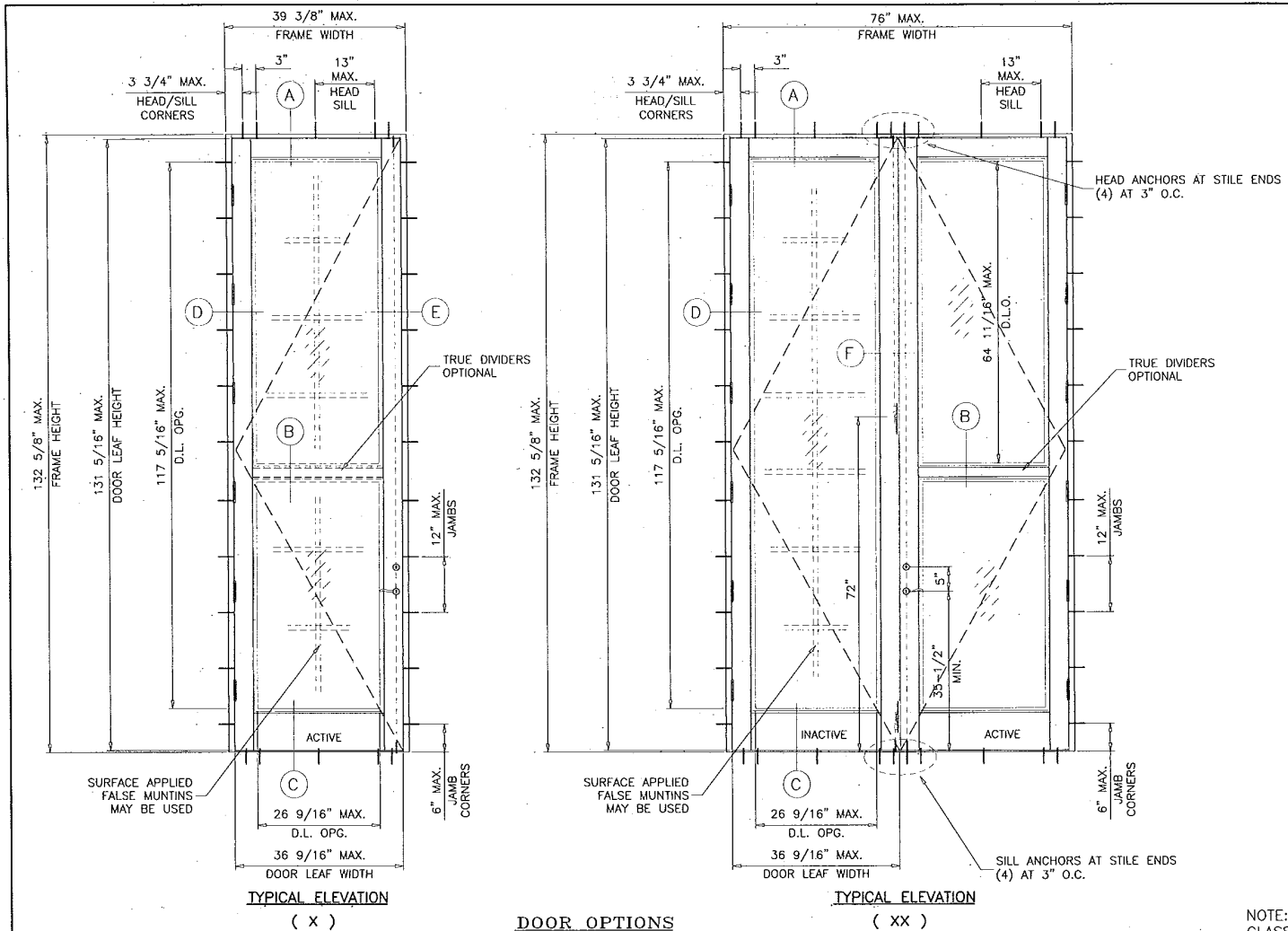
**af c**  
**AL-FAROOQ CORPORATION**  
 ENGINEERS & PRODUCT DEVELOPMENT  
 12395 S.W. 87 AVE  
 MIAMI, FLORIDA 33174  
 TEL (305) 264-8100 FAX (305) 262-6978  
 COMP-ANL\W13-62SIW

SERIES 500-11 ALUM OUTSWING ENTRANCE DOOR (L.M.I.)  
**SIW IMPACT WINDOWS, LLC.**  
 975 S. CONGRESS AVE. #102  
 DELRAY BEACH, FL. 33445  
 TEL. (561) 274-9392 FAX. (561) 274-9262

NO	DATE	BY	DESCRIPTION
A	07.10.14		NO CHANGE THIS SHEET
B	07.31.14		REV. PER PER COMMENTS

date: 12-31-13  
 scale: 1/2"=1'-0"  
 dr. by: TARIQ  
 chg. by:

drawing no.  
**W13-69**  
 sheet 2 of 14



DOORS WITH  
ADA THRESHOLD

Approved as complying with  
Florida Building Code  
Date: 8/8/14  
NOA# 14-02007  
Miami Dade Product Control  
By: [Signature]

**DOORS LOAD CAPACITY - PSF  
SINGLE DOORS (X)**

DOOR DIMS.		ADA THRESHOLD	
FRAME WIDTH	FRAME HEIGHT	EXT.(+)	INT.(-)
39-3/8"	132-5/8"	50.0	50.0

NOTE:  
VERIFY COMPLIANCE WITH EGRESS LIMITATIONS WHERE REQUIRED.

**DOORS LOAD CAPACITY - PSF  
DOUBLE DOORS (XX)**

DOOR DIMS.		ADA THRESHOLD	
FRAME WIDTH	FRAME HEIGHT	EXT.(+)	INT.(-)
76"	132-5/8"	50.0	50.0

DOUBLE (XX) DOORS NOT RATED FOR WATER RESISTANCE  
SEE SHEET 7 FOR DETAILS

**DOOR D.L.O. DIMS.**  
 D.L.O. HEIGHT = FRAME HEIGHT - 15.313"  
 D.L.O. WIDTH (X DOORS) = FRAME WIDTH - 12.625"  
 D.L.O. WIDTH (XX DOORS) = (FRAME WIDTH - 22.875)/2

NOTE:  
GLASS CAPACITIES ON THIS SHEET ARE  
BASED ON ASTM E1300-09 (3 SEC. GUSTS)  
AND FLORIDA BUILDING COMMISSION  
DECLARATORY STATEMENT DCA05-DEC-219

Engr: JAVAD AHMAD  
CIVIL  
FLA. PC # 70592  
C.A.N. 3538  
JUL 31 2014

**af c**  
**AL-FAROOQ CORPORATION**  
 ENGINEERS & PRODUCT DEVELOPMENT  
 1235 S.W. 87 AVE  
 MIAMI, FLORIDA 33174  
 TEL (305) 264-8100 FAX (305) 262-6978  
 COMP-ANL\W13-62SIW

SERIES 500-11 ALUM OUTSWING ENTRANCE DOOR (L.M.I.)  
**SIW IMPACT WINDOWS, LLC.**  
 975 S. CONGRESS AVE. #102  
 DELRAY BEACH, FL. 33445  
 TEL (561) 274-9392 FAX (561) 274-9262

Revisions:

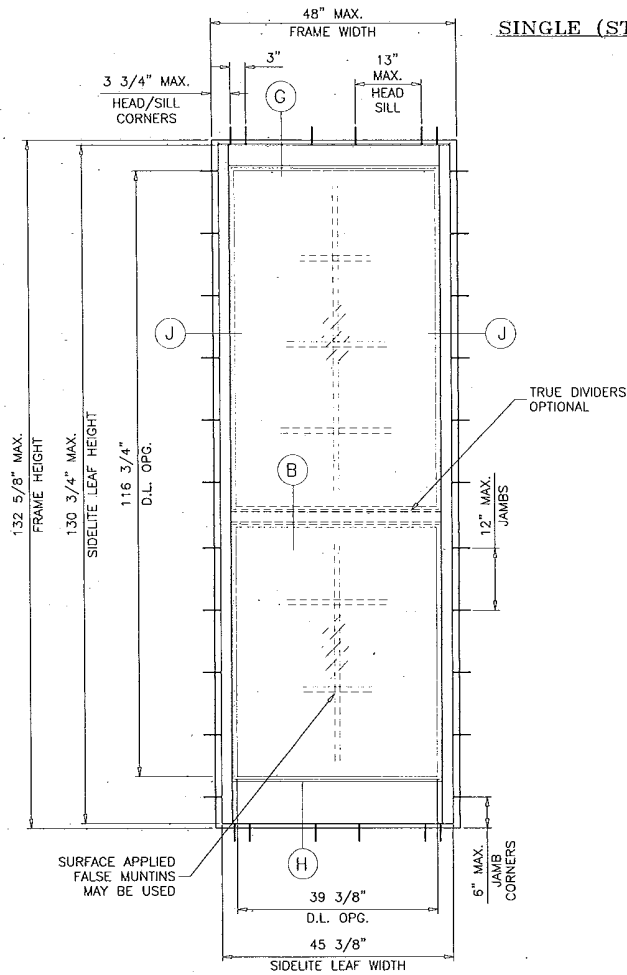
NO	DATE	DESCRIPTION
A	07.10.14	NO CHANGE THIS SHEET
B	07.31.14	REV. PER REE COMMENTS

date: 12-31-13  
 scale: 1/2"=1'-0"  
 dr. by: TABIO  
 chk. by:

drawing no.  
**W13-69**  
 sheet 3 of 14

**SINGLE (STATIONARY) SIDELITE UNIT**

(SEE DETAIL IN SHEET 9)



**TYPICAL ELEVATION**

( 0 )

SIDELITE LOAD CAPACITY - PSF STATIONARY PANEL (0)			
DOOR DIMS.		STD. THRESHOLD	
FRAME WIDTH	FRAME HEIGHT	EXT.(+)	INT.(-)
48"	132-5/8"	50.0	50.0

**SIDELITE D.L.O. DIMS.**

- D.L.O. HEIGHT = FRAME HEIGHT - 13.875"
- D.L.O. WIDTH = FRAME WIDTH - 8.625 (NARROW STILE SIDELITE)
- D.L.O. WIDTH = FRAME WIDTH - 12.625 (WIDE STILE SIDELITE OPTIONAL)

approved as complying with the  
Florida Building Code  
Date: 8/8/14  
NOA# 14-0305-a  
Miami Dade Product Control  
By: *[Signature]*

Engr: JAVAD AHMAD  
CIVIL  
FLA. PE # 70592  
C.A. 3538

*[Signature]*  
JUL 31 2014



**AL-FAROOQ CORPORATION**  
ENGINEERS & PRODUCT DEVELOPMENT  
1285 S.W. 87 AVE  
MIAMI, FLORIDA 33174  
TEL (305) 264-8100 FAX (305) 262-6978  
COMP-ANL\W13-62SIW

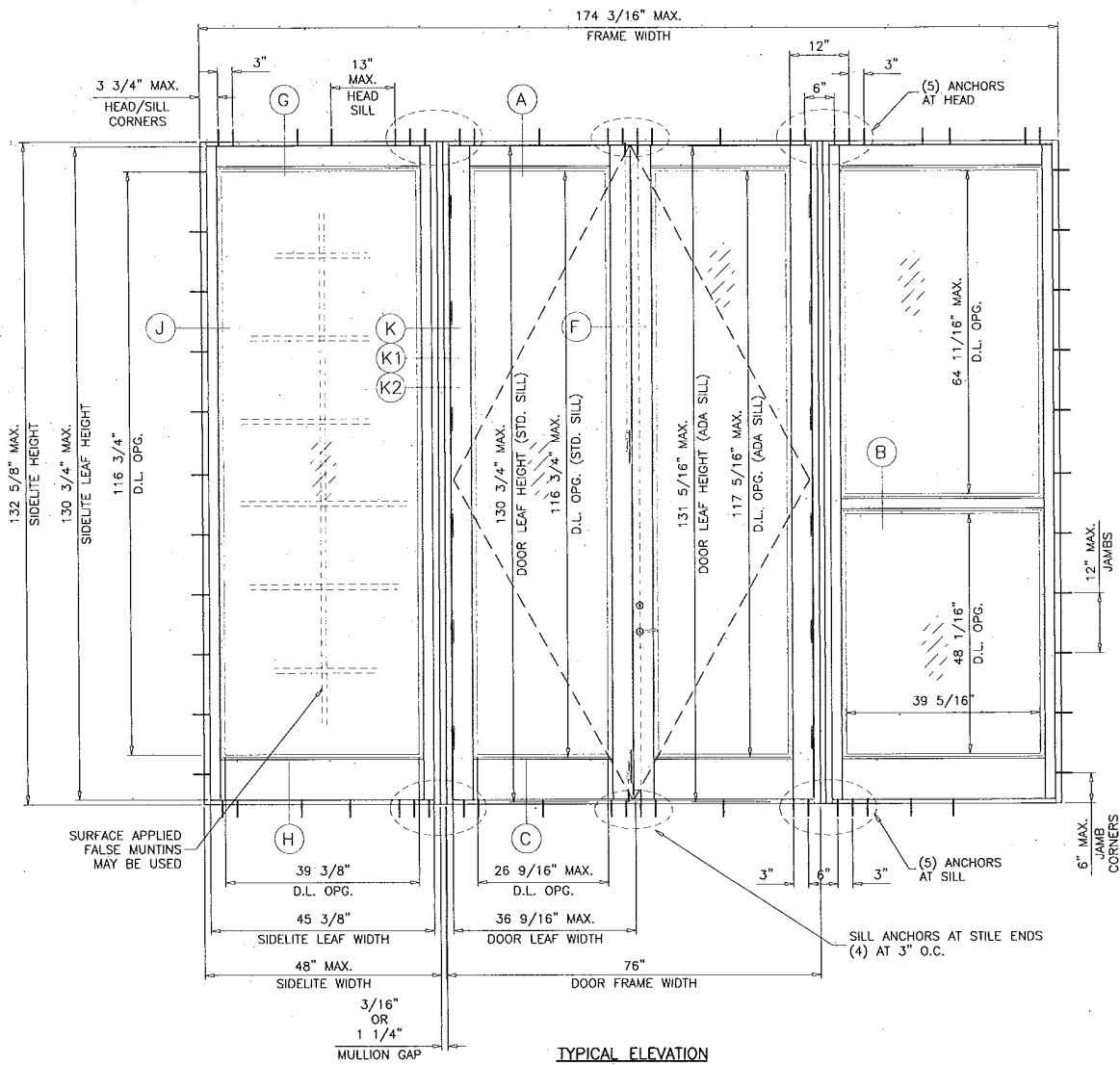
SERIES 500-11 ALUM. OUTSWING ENTRANCE DOOR (L.M.I.)  
**SIW IMPACT WINDOWS, LLC.**  
975 S. CONGRESS AVE. #102  
DELRAY BEACH, FL 33445  
TEL (561) 274-9392 FAX (561) 274-9262

NO.	DATE	BY	DESCRIPTION
A	07.10.14		REV. PER REB COMMENTS
B	07.31.14		REV. PER REB COMMENTS

code: 12-31-13  
scale: 1/2"=1'-0"  
dr. by: JAR/C  
chk. by:

drawing no.  
**W13-69**

sheet 4 of 14



TYPICAL ELEVATION  
( OX XO )

DOOR WITH SIDELITE LOAD CAPACITY - PSF							
DIMS.				STD. THRESHOLD		ADA THRESHOLD	
DOOR FRAME WIDTH (X)	DOOR FRAME WIDTH (XX)	SIDELITE WIDTH	FRAME HEIGHT	EXT.(+)	INT.(-)	EXT.(+)	INT.(-)
39-3/8"	76"	48"	132-5/8"	50.0	50.0	50.0	50.0

DOUBLE (XX) DOORS NOT RATED FOR WATER RESISTANCE  
SEE SHEET 7 FOR DETAILS

D.L.O. DIMS.  
SEE SHEETS 2 & 3 FOR DOOR DLO SIZES.  
SEE SHEET 4 FOR SIDELITE DLO SIZES.

Engr. JAVAID AHMAD  
CIVIL  
FLA. PE # 70592  
C.A.N. 3538  
JUN 21 2014

Approved as complying with the  
Florida Building Code  
Date 2/28/14  
NOA# 14-0305-C  
Miami Dade Product Control  
By *Shang L. Campbell*

**afc**  
**AL-FAROOQ CORPORATION**  
ENGINEERS & PRODUCT DEVELOPMENT  
1235 S.W. 87 AVE  
MIAMI, FLORIDA 33174  
TEL (305) 264-8100 FAX (305) 262-6978  
CONIP-ANL\W13-62SIW

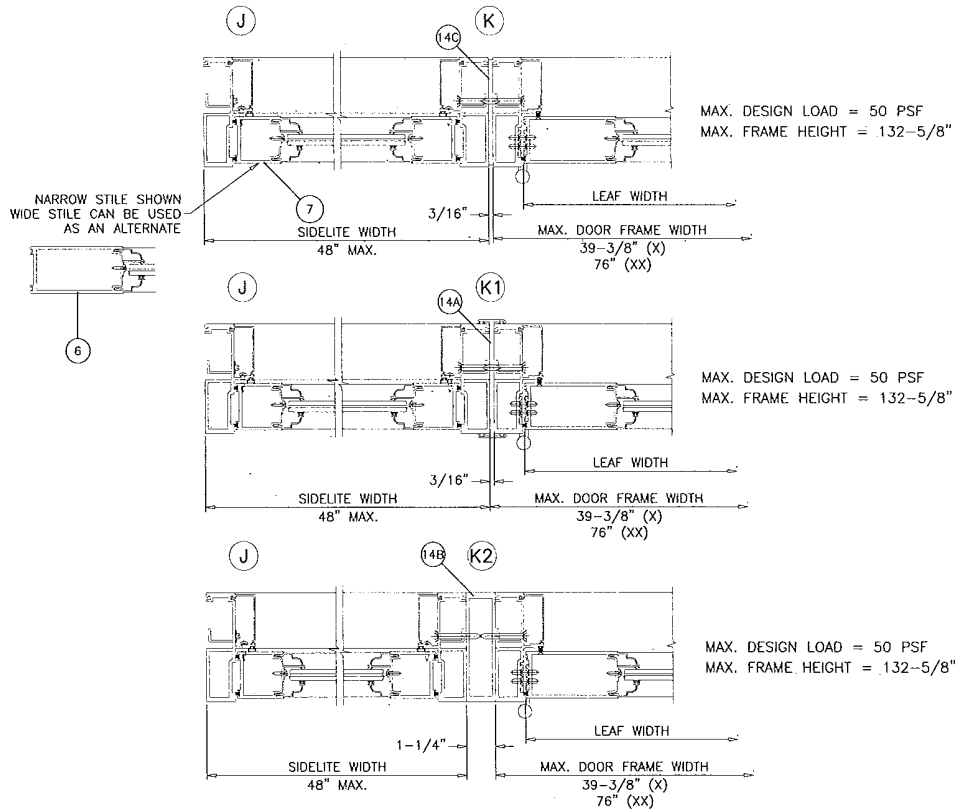
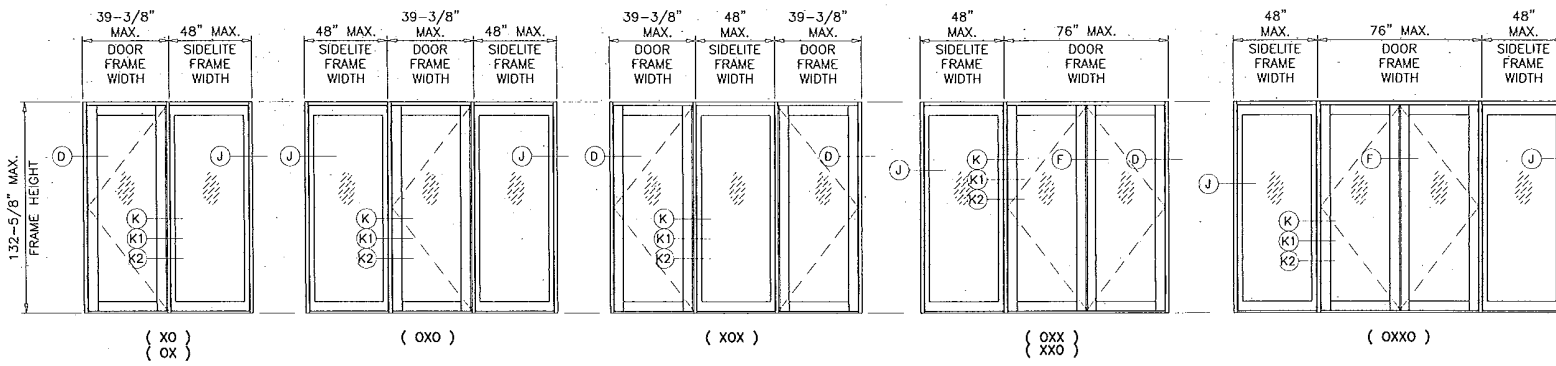
SERIES 500-11 ALUM OUTSWING ENTRANCE DOOR (L.M.I.)  
**SIW IMPACT WINDOWS, LLC.**  
975 S. CONGRESS AVE. #102  
DELRAY BEACH, FL. 33445  
TEL (561) 274-9392 FAX (561) 274-9282

REVISIONS:	DATE	DESCRIPTION
A	07/31/14	REV. PER PER COMMENTS
B	07/31/14	REV. PER PER COMMENTS

date: 12-31-13  
scale: 1/2"=1'-0"  
dr. by: TARIQ  
chk. by:

drawing no.  
**W13-69**  
sheet 5 of 14





SIDELITE TO DOOR APPROVED CONFIGURATIONS

Approved as complying with the  
 Florida Building Code  
 Date: 7/15/14  
 NOA#: 14-2305-07  
 Miami Trade Product Control  
 By: [Signature]

Engr: JAWAD AHMAD  
 CIVIL  
 FLA. PE # 10592  
 C.A.N. 3588  
 JUL 30 2014

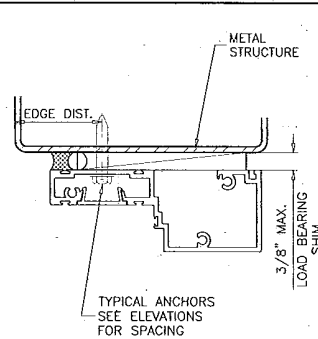
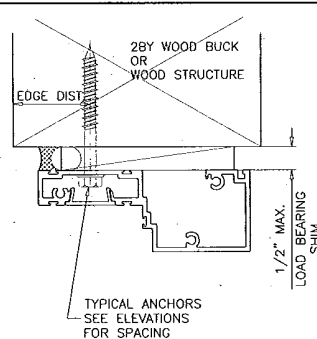
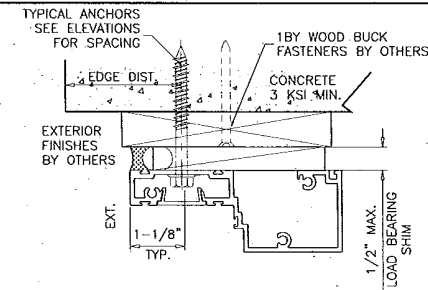
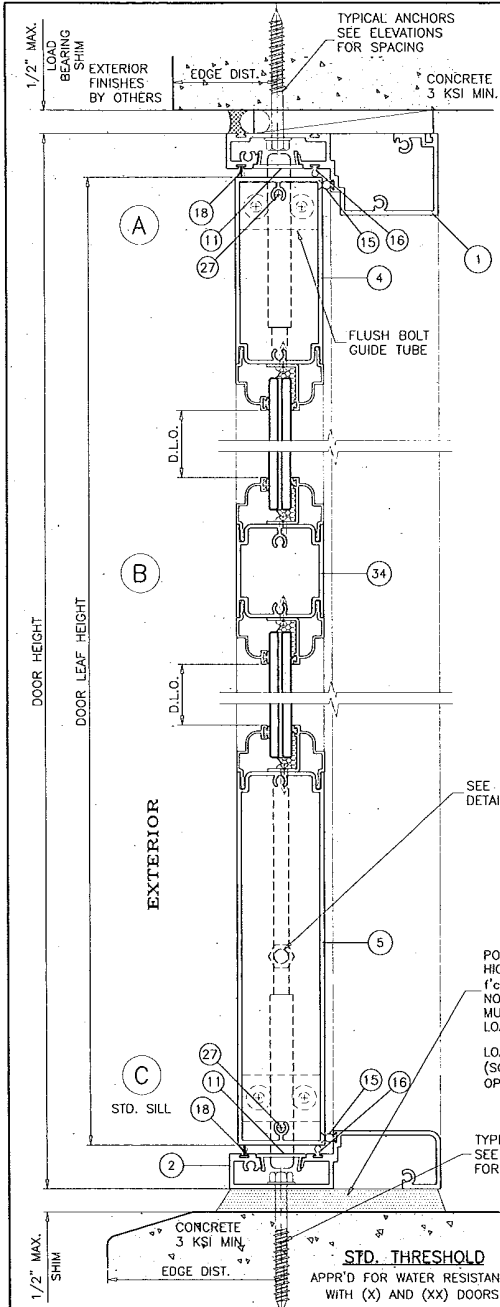
**afc**  
**AL-FAROOQ CORPORATION**  
 ENGINEERS & PRODUCT DEVELOPMENT  
 1235 S.W. 87 AVE  
 MIAMI, FLORIDA 33174  
 TEL (305) 264-8100 FAX (305) 262-6978  
 COMP-ANL\W13-62SIW

SERIES 500-11 ALUM. OUTSWING ENTRANCE DOOR (L.M.I.)  
**SIW IMPACT WINDOWS, LLC.**  
 975 S. CONGRESS AVE. #102  
 DELRAY BEACH, FL 33445  
 TEL (561) 274-9392 FAX (561) 274-9262

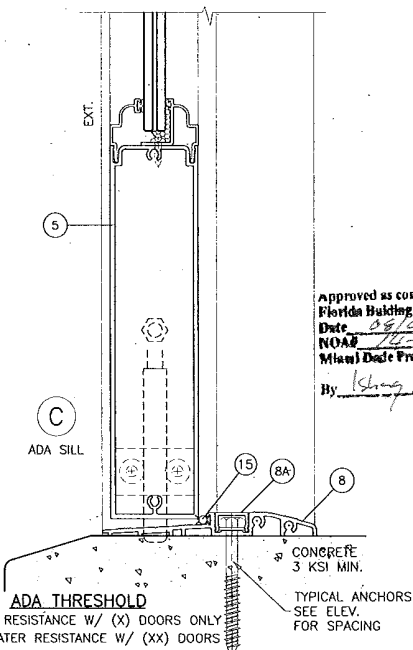
NO	DATE	DESCRIPTION
A	07.10.14	REV. PER PER COMMENTS
B	07.31.14	REV. PER PER COMMENTS

date: 12-31-13  
 scale: 3/8" = 1"  
 dr. by: JAWAD  
 cchk. by:

drawing no.  
**W13-69**  
 sheet 6 of 14



WOOD BUCKS AND METAL STRUCTURE NOT BY SIW WINDOWS MUST SUSTAIN LOADS IMPOSED BY GLAZING SYSTEM AND TRANSFER THEM TO THE BUILDING STRUCTURE.



Approved as complying with the Florida Building Code  
 Date: 09/08/14  
 NOA# 14-0305-0  
 Miami Dade Product Control  
 By: *Isling I. Garcia*

- TYPICAL ANCHORS:** SEE ELEV. FOR SPACING
- TYPE 'A' - 1/4" DIA. ULTRACON BY 'ELCO'** (Fu=177 KSI, Fy=155 KSI)  
 MIN. LENGTH = 2-3/4"  
 INTO 2BY WOOD BUCKS OR WOOD STRUCTURES  
 1-1/2" MIN. PENETRATION INTO WOOD (HEAD/JAMBS)  
 THRU 1BY BUCKS INTO CONC. OR MASONRY  
 1-3/4" MIN. EMBED INTO CONCRETE (HEAD/SILL)  
 1-1/4" MIN. EMBED INTO CONC. OR MASONRY (JAMBS)
- TYPE 'B' - 1/4" DIA. ULTRACON BY 'ELCO'** (Fu=177 KSI, Fy=155 KSI)  
 MIN. LENGTH = 2-3/4"  
 DIRECTLY INTO CONC. OR MASONRY  
 1-3/4" MIN. EMBED INTO CONCRETE (HEAD/SILL)  
 1-1/4" MIN. EMBED INTO CONC. OR MASONRY (JAMBS)
- TYPE 'C' - 1/4" DIA. SELF DRILLING SCREWS** (Fu=120 KSI, Fy=90 KSI)  
 INTO MIAMI-DADE COUNTY APPROVED MULLIONS (MIN. THK. = 1/8")  
 INTO METAL STRUCTURES (HEAD/SILL/JAMBS)  
 STEEL : 12 GA. MIN. (Fy = 36 KSI MIN.)  
 ALUMINUM : 1/8" THK. MIN. (6063-T5 MIN.)  
 (STEEL IN CONTACT WITH ALUMINUM TO BE PLATED OR PAINTED)
- TYPICAL EDGE DISTANCE**  
 INTO CONCRETE AND MASONRY = 2-1/2" MIN.  
 INTO WOOD STRUCTURE = 1" MIN.  
 INTO METAL STRUCTURE = 3/4" MIN.
- CONCRETE AT HEAD, SILL OR JAMBS f'c = 3000 PSI MIN.  
 C-90 HOLLOW/FILLED BLOCK AT JAMBS f'm = 2000 PSI MIN.
- ANCHORS MAY BE HEX OR FLAT HEAD.

Engr: JAVAD AHMAD  
 CIVIL  
 FLA. PE # 70592  
 C.A.N. 3588  
 JUL 31 2014

DOOR DETAILS

**AL-FAROOQ CORPORATION**  
 ENGINEERS & PRODUCT DEVELOPMENT  
 1235 S.W. 87 AVE  
 MIAMI, FLORIDA 33174  
 TEL (905) 264-9100 FAX (905) 262-9978  
 COMP-ANL W13-62SIW

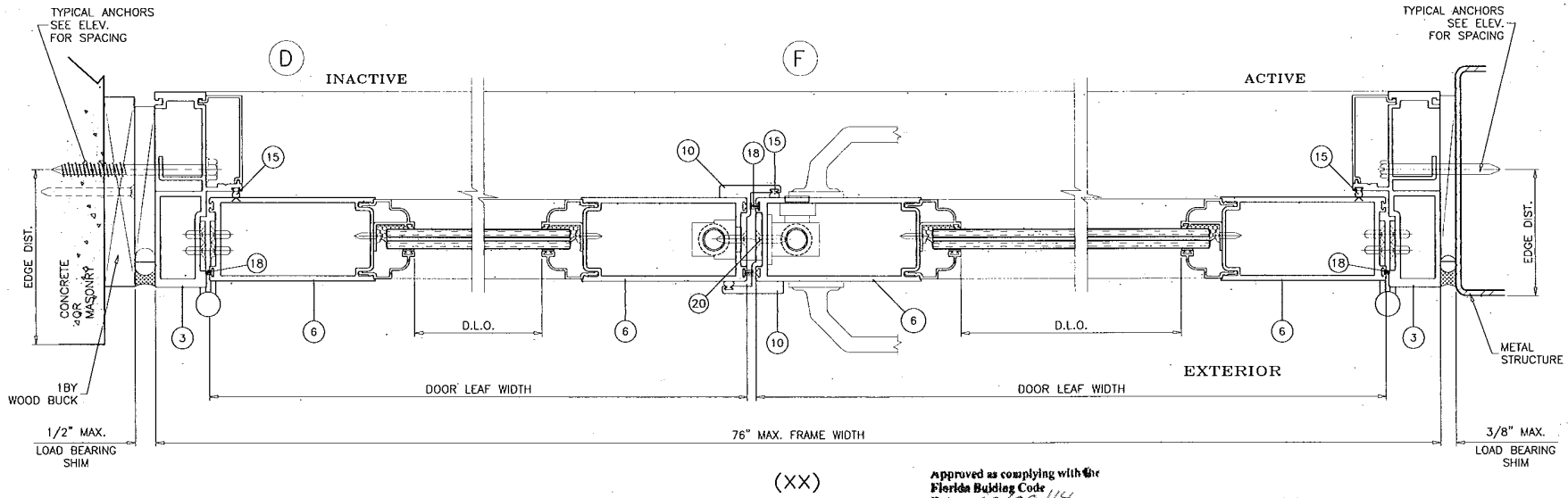
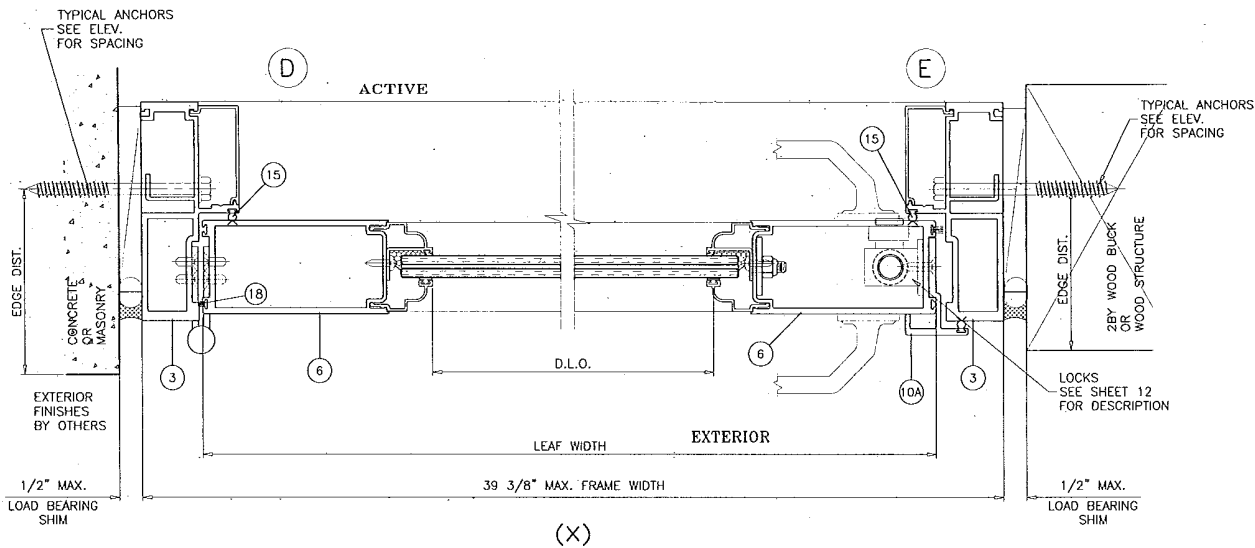
SERIES 500-11 ALUM. OUTSWING ENTRANCE DOOR (L.M.I.)

**SIW IMPACT WINDOWS, LLC.**  
 975 S. CONGRESS AVE. #102  
 DELRAY BEACH, FL. 33445  
 TEL. (561) 274-9392 FAX. (561) 274-9262

NO.	DATE	DESCRIPTION
A	07.10.14	REV. PER REK COMMENTS
B	07.31.14	REV. PER REK COMMENTS

date: 12-31-13  
 scale: 3/8" = 1"  
 dr. by: TARO  
 chg. by:

drawing no. **W13-69**  
 sheet 7 of 14



Approved as complying with the  
 Florida Building Code  
 Date: 09/28/14  
 NOA# 78-0205-07  
 Miami Dade Product Control  
 By: *[Signature]*

Engr: JAWAD AHMAD  
 CML  
 FLA. PE # 70592  
 C.A.N. 3538  
 JUN 18 2014

DOOR DETAILS

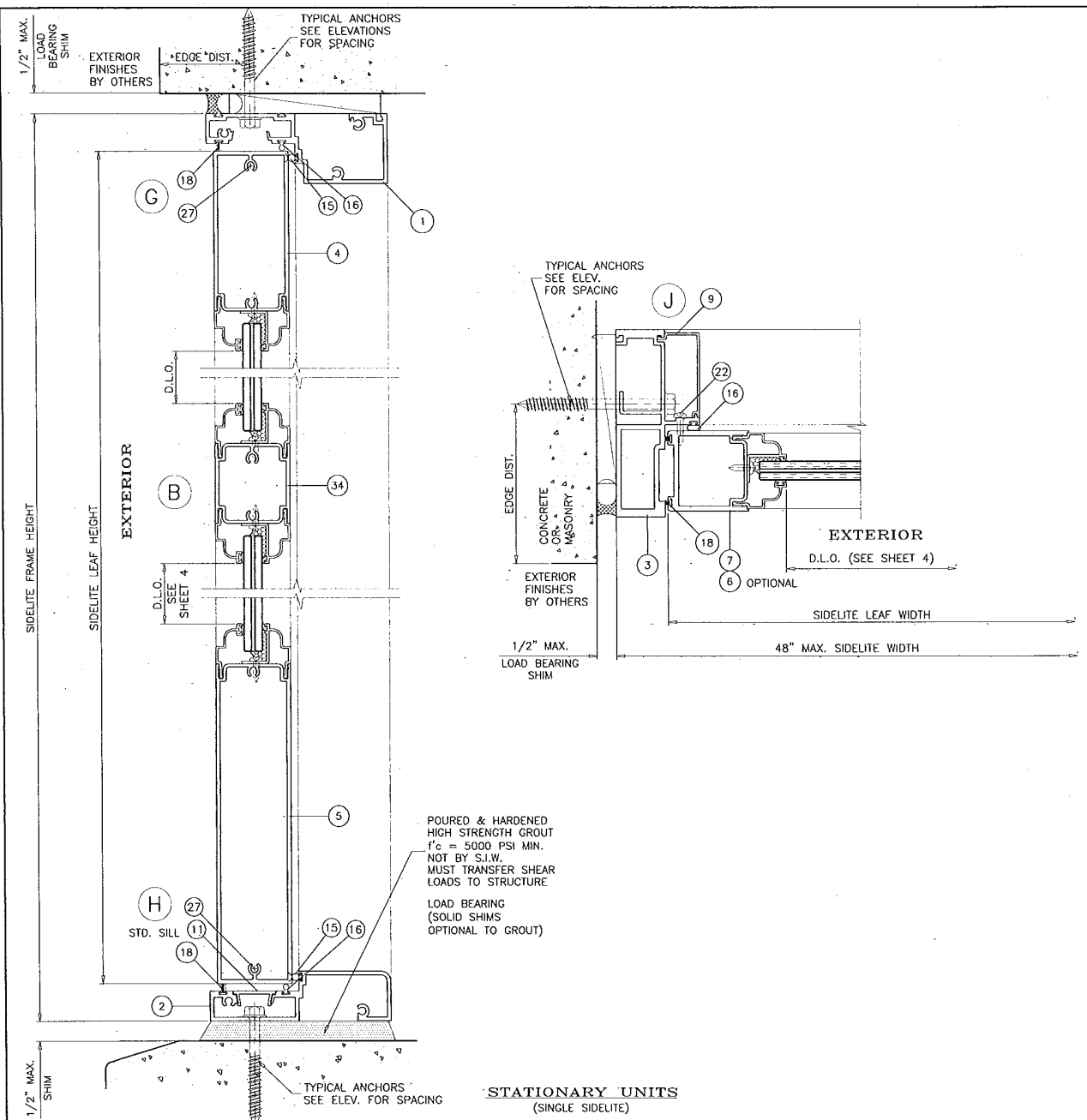
**afc**  
**AL-FAROOQ CORPORATION**  
 ENGINEERS & PRODUCT DEVELOPMENT  
 1285 S.W. 87 AVE  
 MIAMI, FLORIDA 33174  
 TEL. (305) 264-8100 FAX. (305) 262-6978  
 CONIF-ANL\W13-62SIW

SERIES 500-11 ALUM. OUTSWING ENTRANCE DOOR (L.M.I.)  
**SIW IMPACT WINDOWS, LLC.**  
 975 S. CONGRESS AVE. #102  
 DELRAY BEACH, FL. 33445  
 TEL. (561) 274-9392 FAX. (561) 274-9282

REV. NO.	DATE	DESCRIPTION
A	07.10.14	REV. PER REF COMMENTS
B	07.31.14	REV. PER REF COMMENTS

date: 12-31-13  
 scale: 3/8" = 1"  
 dr: by: TARIQ  
 chk: by:

drawing no.  
**W13-69**  
 sheet 8 of 14



**STATIONARY UNITS**  
(SINGLE SIDELITE)

Approved as complying with the  
Florida Building Code  
Date 08/08/14  
NOA# 14-0305107  
Miami Dade Product Control  
By *[Signature]*

**af c**  
**AL-FAROOQ CORPORATION**  
ENGINEERS & PRODUCT DEVELOPMENT  
1235 S.W. 87 AVE  
MIAMI, FLORIDA 33174  
TEL. (305) 264-8100 FAX. (305) 262-6978  
COMP-ANL\W13-62SIW

SERIES 500-11 ALUM. OUTSWING ENTRANCE DOOR (L.M.I.)  
**SIW IMPACT WINDOWS, LLC.**  
975 S. CONGRESS AVE. #102  
DELRAY BEACH, FL. 33445  
TEL. (561) 274-9392 FAX. (561) 274-9282

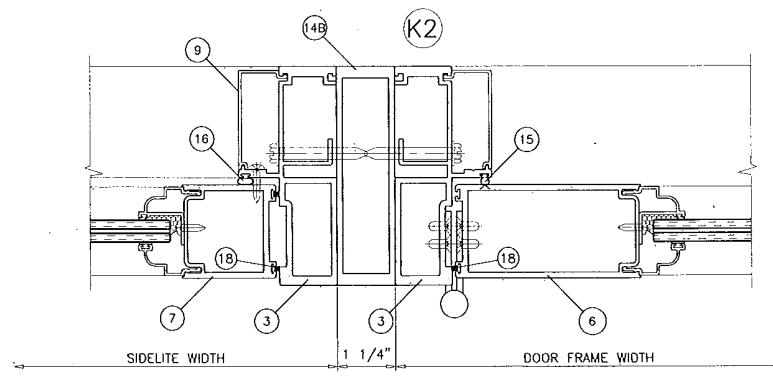
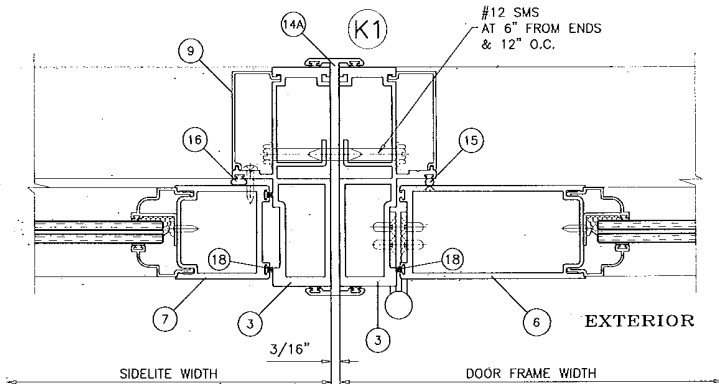
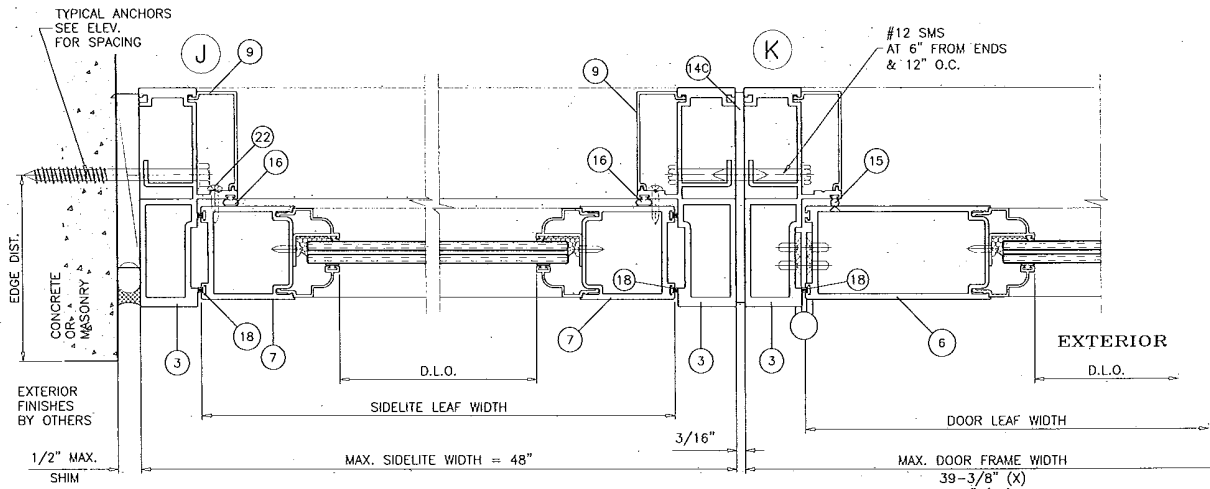
NO.	DATE	BY	DESCRIPTION
A	07.10.14		REV. PER REE COMMENTS
B	07.31.14		REV. PER REE COMMENTS

date: 12-31-13  
scale: 3/8" = 1"  
dr. by: TARIQ  
chk. by:

Engr: JAVAD AHMAD  
CIVIL  
FLA. PE # 70592  
C.A.N. 3588  
*[Signature]*

SIDELITE DETAILS

drawing no. **W13-69**  
sheet 9 of 14



Approved as complying with the  
Florida Building Code  
Date 08/08/14  
NOA# 14-036707  
Miami Dade Product Control  
By [Signature]

MULLION DETAILS

Engr: JAVAD AHMAD  
CIVIL  
FLA. PE # 70592  
C.A.N. 3518

JUL 18 2014

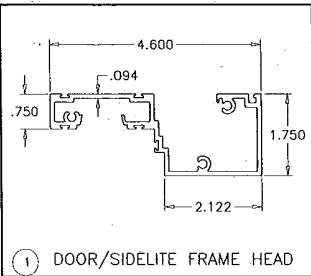
**afc**  
**AL-FAROOQ CORPORATION**  
ENGINEERS & PRODUCT DEVELOPMENT  
12395 S.W. 87 AVE  
MIAMI, FLORIDA 33174  
TEL. (305) 264-8100 FAX. (305) 262-6978  
COMP-ANL W13-62SIW

SERIES 500-11 ALUM OUTSWING ENTRANCE DOOR (L.M.I.)  
**SIW IMPACT WINDOWS, LLC.**  
975 S. CONGRESS AVE. #102  
DELRAY BEACH, FL. 33445  
TEL. (561) 274-9392 FAX. (561) 274-9282

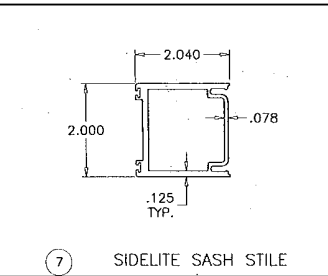
REV. NO.	DATE	DESCRIPTION
A	07.10.14	REV. PER PER COMMENTS
B	07.31.14	REV. PER PER COMMENTS

date: 12-31-13  
scale: 3/8" = 1"  
dr. by: TARRQ  
chk. by:

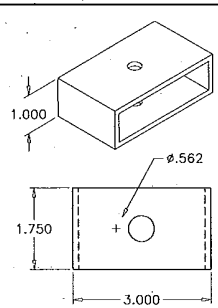
drawing no.  
**W13-69**  
sheet 10 of 14



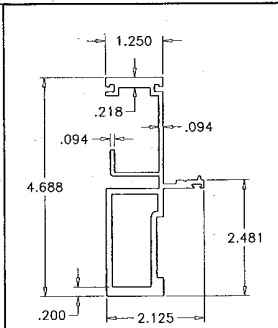
1 DOOR/SIDELITE FRAME HEAD



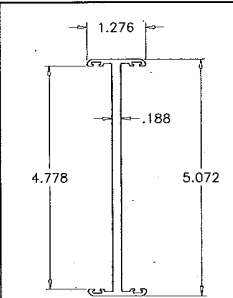
7 SIDELITE SASH STILE



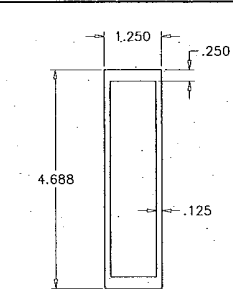
31 FLUSH BOLT BLOCK



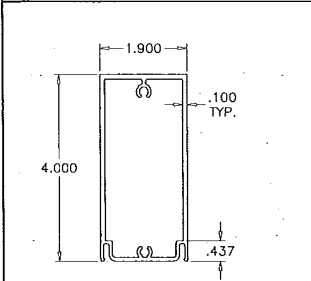
3 FRAME JAMB



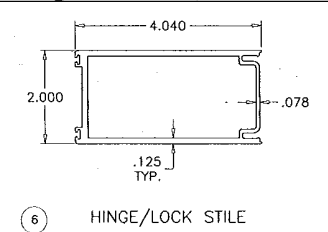
14A H MULLION



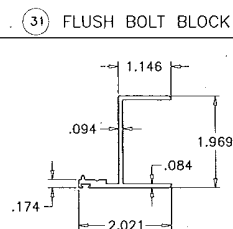
14B MULLION



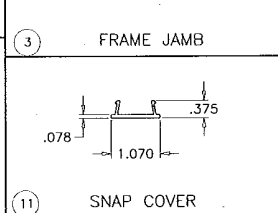
4 TOP RAIL



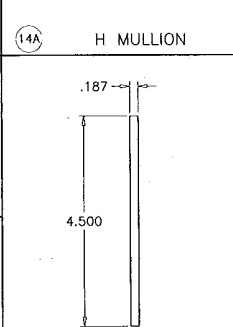
6 HINGE/LOCK STILE



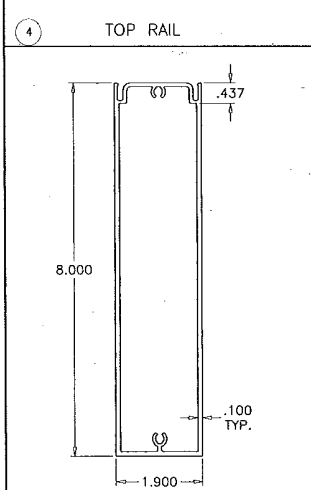
14 JAMB/MULL ADAPTER



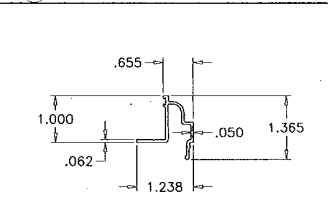
11 SNAP COVER



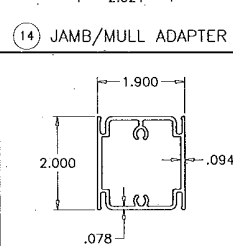
14C MULLION BAR



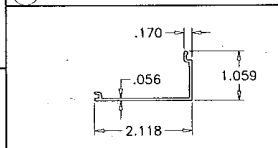
5 BOTTOM RAIL



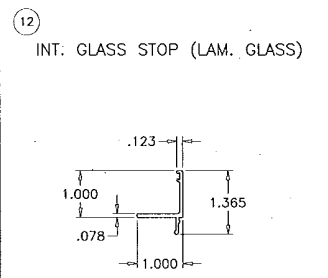
12 INT. GLASS STOP (LAM. GLASS)



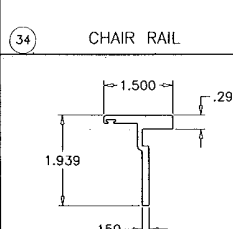
34 CHAIR RAIL



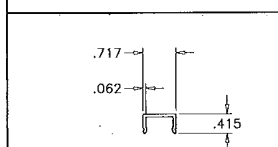
9 JAMB SCREW COVER



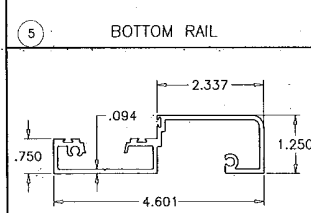
12A INT. GLASS STOP (INSUL. LAM. GLASS)



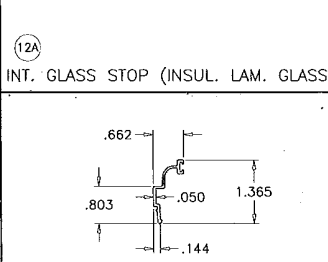
10 DOUBLE DOOR ASTRAGAL



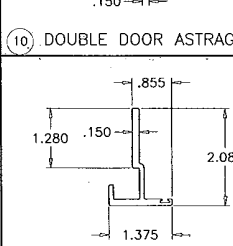
8A THRESHOLD COVER



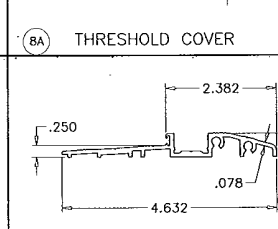
2 STANDARD THRESHOLD



13 EXTERIOR GLASS STOP



10A SINGLE DOOR ASTRAGAL



8 ADA THRESHOLD

Engr: JAVAD AHMAD  
 CIVIL  
 FLA. PE # 70592  
 C.A.N. 3538  
 JUL 31 2014

Approved as complying with the  
 Florida Building Code  
 Date: 08/08/14  
 NOAB 74-2305-C7  
 Miami Date Product Control  
 By: Ishtiaq L. Ghosh

**af c**  
**AL-FAROOQ CORPORATION**  
 ENGINEERS & PRODUCT DEVELOPMENT  
 1235 S.W. 87 AVE  
 MIAMI, FLORIDA 33174  
 TEL (305) 264-6100 FAX (305) 262-6978  
 COMP-ANL W13-62SIW

---

SERIES 500-11 ALUM. OUTSWING ENTRANCE DOOR (L.M.I.)  
**SIW IMPACT WINDOWS, LLC.**  
 975 S. CONGRESS AVE. #102  
 DELRAY BEACH, FL. 33445  
 TEL. (561) 274-9392 FAX. (561) 274-9282

---

REV.	DATE	DESCRIPTION	BY	CHK.
A	07/01/14	REV. PER PER COMMENTS		
B	07/31/14	REV. PER PER COMMENTS		

---

date: 12-31-13  
 scale: 3/8" = 1"  
 dr. by: TARIQ  
 chk. by:

---

drawing no.  
**W13-69**  
 sheet 11 of 14

ITEM #	PART #	REQD.	DESCRIPTION	MATERIAL	MANF./SUPPLIER/REMARKS
1	SIW505	1	DOOR/SIDELITE FRAME HEAD	6063-T6	-
2	SIW515	1	STANDARD THRESHOLD	6063-T6	-
3	SIW506	2/DOOR	FRAME JAMB	6063-T6	-
4	SIW502	1/ LEAF	DOOR TOP RAIL	6063-T6	-
5	SIW536	1/ LEAF	DOOR BOTTOM RAIL	6063-T6	-
6	SIW503	2/ LEAF	HINGE STILE/LOCK STILE	6063-T6	-
7	SIW507	2/ LEAF	SIDELITE SASH STILE	6063-T6	-
8	SIW546	1	ADA THRESHOLD	6063-T6	-
8A	SIW547	1	THRESHOLD COVER	6063-T6	-
9	SIW511	AS REQD.	JAMB SCREW COVER	6063-T6	-
10	SIW509	AS REQD.	DOUBLE DOOR ASTRAGAL	6063-T6	-
10A	SIW535	AS REQD.	SINGLE DOOR ASTRAGAL	6063-T6	-
11	SIW510	AS REQD.	SCREW COVER	6063-T5	-
12	SIW512	AS REQD.	INTERIOR GLASS STOP (LAM. GLASS)	6063-T5	-
12A	SIW520	AS REQD.	INTERIOR GLASS STOP (INSUL. LAM. GLASS)	6063-T5	-
13	SIW513	AS REQD.	EXTERIOR GLASS STOP	6063-T6	-
14	SIW504	AS REQD.	DOOR JAMB/MULL ADAPTER	6063-T6	-
14A	SIW543	AS REQD.	H MULLION	6063-T6	-
14B	SIW914	AS REQD.	MULLION TUBE	6063-T6	-
14C	-	AS REQD.	MULLION BAR	6063-T6	-
15	9016E	-	BULB W'STRIPPING	VINYL	CENTRAL PLSTICS
16	U4513	-	Q-LON W'STRIPPING	VINYL	SCHLEGEL
17	5530	AS REQD.	INTERIOR GLAZING GASKET (DUROMETER 70±5)	SANTOPRENE	BY CENTRAL PLASTICS
17A	5531	AS REQD.	EXTERIOR GLAZING GASKET (DUROMETER 70±5)	SANTOPRENE	BY CENTRAL PLASTICS
18	W23201NW0020	AS RQD.	FINSEAL PILE W'STRIPPING	-	ULTRAFAB
20	#8 X 1/2"	-	ASTRAGAL SCREWS PH SMS	-	AT 4" FROM ENDS & 8" O.C.
21	#8 X 1/2"	AS REQD.	GLASS STOP SCREWS SELF DRILLING	-	AT 8" FROM ENDS & 15" O.C. MAX.
22	#12 X 1-1/4"	-	FIX. PANEL SCREWS PH SMS	-	AT 6" FROM ENDS & 17" O.C. MAX.
24	SD44HD	4/LEAF	BUTT HINGES	-	STAINLESS STEEL
27	#12 X 2"	1/ CORNER	FRAME AND LEAF ASSEMBLY SCREWS	ST. STEEL	PH SMS
28	#12 X 1/2"	AS REQD.	HINGE ASSEMBLY SCREWS	ST. STEEL	FH MS TYPE F SS
31	SIW 521	-	FLUSH BOLT BLOCK	6063-T6	-
32	#2	-	FLUSH BOLTS	-	SULLIVAN & ASSOC.
33	WS110-STATC6	-	SENTINEL MULTIPOINT LOCK	-	ASHLAND HARDWARE
34	SIW539	-	2" CHAIR RAIL	6063-T6	-
35	-	2/ LITE	SETTING BLOCK	EPDM	DUROMETER 85±5 SHORE A

**LOCK OPTIONS:**

**STD. LOCKS:**

**ACTIVE LEAF:**

**OPTION #1:**

SENTINEL MULTIPOINT LOCK BY 'ASHLAND' WITH THROW BOLT AT 35-1/2" FROM BOTTOM FLUSH BOLTS CONNECTED TO LOCK KEY OPERATED ON EXTERIOR AND THUMB TURN ON INTERIOR AND ENGAGING FRAME AT HEAD AND SILL

**OPTION #2:**

3 POINT LOCK ASSEMBLY (M1805S) BY 'ADAMS RITE' WITH 4015 THROW BOLT AT 36" FROM BOTTOM FLUSH BOLTS CONNECTED TO LOCK KEY OPERATED ON EXTERIOR AND THUMB TURN ON INTERIOR AND ENGAGING FRAME AT HEAD AND SILL

**INACTIVE LEAF**

CONCEALED FLUSH BOLTS (FB-1202-914) BY 'SULLIVAN & ASSOC.' MANUALLY OPERATED LEVERS MOUNTED ON EDGE OF LEAF STILE LOCATED AT 13-1/2" FROM BOTTOM AND 34" FROM TOP

**HINGES:**

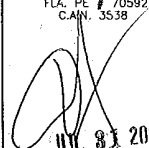
4" X 4" ST. STEEL BUTT HINGES (DSB4NB OR S44HD) AT 13" FROM TOP AND BOTTOM ENDS AND 21-1/2" O.C. MAX. HINGE ATTACHED TO DOOR FRAME AND DOOR STILE USING (4) #12 X 1/2" FH MS 6 HINGES PER LEAF

Approved as complying with the Florida Building Code  
 Date: 08/08/14  
 No. 14-03070  
 Miami Dade Product Control

By: *Isaac J. ...*

**SEALANTS:**

ALL JOINTS AND FRAME CONNECTIONS SEALED WITH SMALL JOINT SEALER.

Engr: JAVAD AHMAD  
 CIVIL  
 FLA. PE # 70592  
 C.A.N. 3538  
  
 JUL 8 2014

**af c**

**AL-FAROOQ CORPORATION**  
 ENGINEERS & PRODUCT DEVELOPMENT  
 1235 S.W. 87 AVE  
 MIAMI, FLORIDA 33174  
 TEL. (305) 264-8100 FAX. (305) 262-6878  
 COMP-ANL\W13-62SIW

---

SERIES 500-11 ALUM OUTSWING ENTRANCE DOOR (L.M.I.)

**SIW IMPACT WINDOWS, LLC.**  
 975 S. CONGRESS AVE. #102  
 DELRAY BEACH, FL 33445  
 TEL. (561) 274-9392 FAX. (561) 274-9282

---

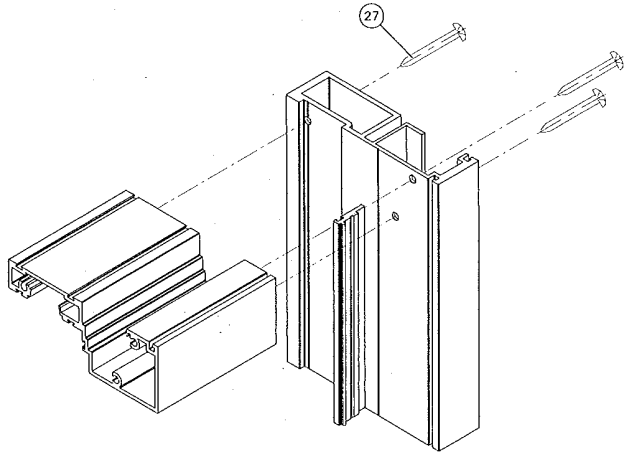
revisions: (no date) by description  
 A 07/10/14 REV. PER REE COMMENTS  
 B 07/31/14 REV. PER REE COMMENTS

---

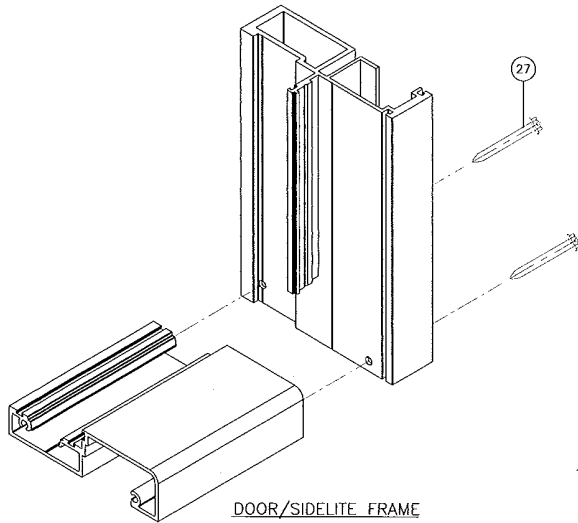
date: 12-31-13  
 scale: 3/8" = 1"  
 dr. by: TARC  
 chk. by:

---

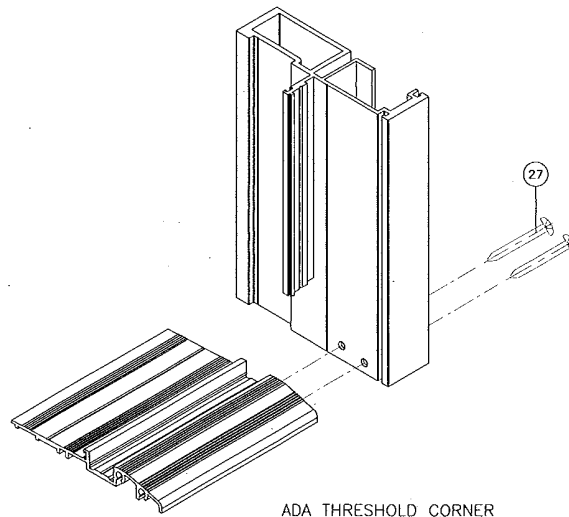
drawing no.  
**W13-69**  
 sheet 12 of 14



DOOR/SIDELITE FRAME  
TOP CORNER



DOOR/SIDELITE FRAME  
BOTTOM CORNER



ADA THRESHOLD CORNER

Approved as complying with the  
Florida Building Code  
Date: 08/08/14  
NOA# 14-0305-a  
Miami Dade Product Control  
By: *[Signature]*

Engr: JAVAD AHMAD  
CIVIL  
FLA. PE # 70592  
C.A.N. 3538

*[Signature]*  
JUL 8 2014

**afc**  
**AL-FAROOQ CORPORATION**  
ENGINEERS & PRODUCT DEVELOPMENT  
1235 S.W. 87 AVE  
MIAMI, FLORIDA 33174  
TEL. (305) 264-8100 FAX. (305) 262-6978  
COMP-ANL W13-62SIW

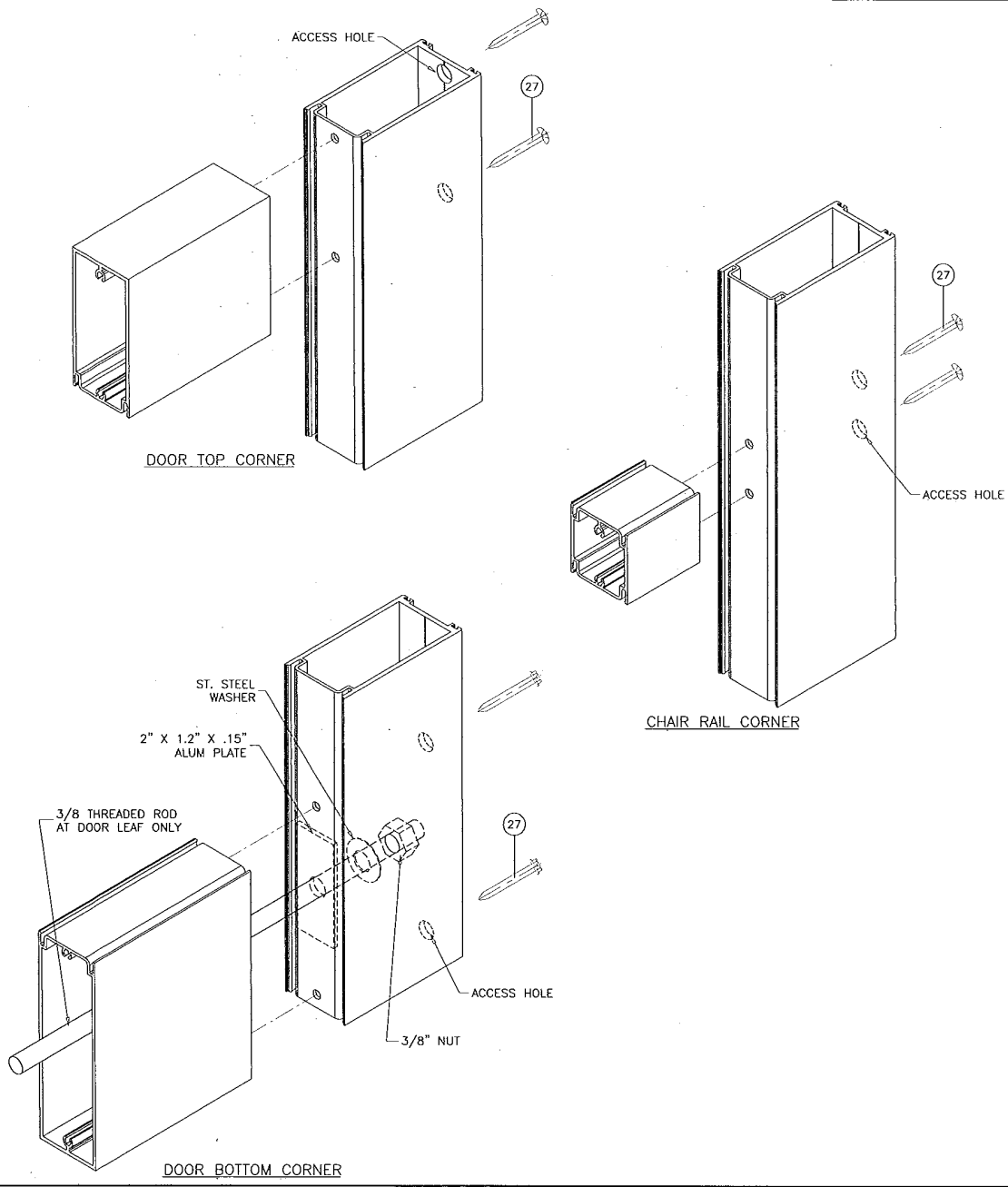
SERIES 500-17 ALUM. OUTSWING ENTRANCE DOOR (L.M.I.)  
**SIW IMPACT WINDOWS, LLC.**  
975 S. CONGRESS AVE. #102  
DELRAY BEACH, FL. 33445  
TEL. (561) 274-9392 FAX. (561) 274-9282

NO	DATE	BY	DESCRIPTION
A	07.10.14		REV. PER REE COMMENTS
B	07.31.14		NO CHANGE THIS SHEET

date: 12-31-13  
scale: 3/8" = 1"  
dr. by: TARIQ  
chk. by:

drawing no.  
**W13-69**  
sheet 13 of 14





Engr: JAWAD AHMAD  
 CIVIL  
 FLA. PE # 70592  
 C.A.N. 3538

*JUL 8 2014*

Approved as complying with the  
 Florida Building Code  
 Date *AUG 08, 2014*  
 NOA# *220030167*  
 Miami Impact Product Control  
 By *Iskhan Khan*

**afc**  
**AL-FAROOQ CORPORATION**  
 ENGINEERS & PRODUCT DEVELOPMENT  
 1235 S.W. 87 AVE  
 MIAMI, FLORIDA 33174  
 TEL. (305) 264-8100 FAX. (305) 262-6975  
 COMP-ANL\W13-62SIW

SERIES 500-11 ALUM. OUTSWING ENTRANCE DOOR (L.M.I.)  
**SIW IMPACT WINDOWS, LLC.**  
 975 S. CONGRESS AVE. #102  
 DELRAY BEACH, FL 33445  
 TEL. (561) 274-9392 FAX. (561) 274-9262

REV. NO.	DATE	BY	DESCRIPTION
A	07.10.14		REV. PER PER COMMENTS
B	07.31.14		NO CHANGE THIS SHEET

date: 12-31-13  
 scale: 3/8" = 1"  
 dr. by: TARC  
 chk. by:

drawing no.  
**W13-69**  
 sheet 14 of 14