



DEPARTMENT OF REGULATORY AND ECONOMIC RESOURCES (RER)
BOARD AND CODE ADMINISTRATION DIVISION
NOTICE OF ACCEPTANCE (NOA)

MIAMI-DADE COUNTY
PRODUCT CONTROL SECTION
11805 SW 26 Street, Room 208
Miami, Florida 33175-2474
T (786) 315-2590 F (786) 315-2599
www.miamidade.gov/economy

SIW Impact Windows, LLC
975 S. Congress Ave. # 102
Delray Beach, Florida 33445

SCOPE:

This NOA is being issued under the applicable rules and regulations governing the use of construction materials. The documentation submitted has been reviewed and accepted by Miami-Dade County RER -Product Control Section to be used in Miami Dade County and other areas where allowed by the Authority Having Jurisdiction (AHJ).

This NOA shall not be valid after the expiration date stated below. The Miami-Dade County Product Control Section (In Miami Dade County) and/or the AHJ (in areas other than Miami Dade County) reserve the right to have this product or material tested for quality assurance purposes. If this product or material fails to perform in the accepted manner, the manufacturer will incur the expense of such testing and the AHJ may immediately revoke, modify, or suspend the use of such product or material within their jurisdiction. RER reserves the right to revoke this acceptance, if it is determined by Miami-Dade County Product Control Section that this product or material fails to meet the requirements of the applicable building code.

This product is approved as described herein, and has been designed to comply with the Florida Building Code, including the High Velocity Hurricane Zone.

DESCRIPTION: Series "525-11" Aluminum Inswing Doors-LMI

APPROVAL DOCUMENT: Drawing No. W14-07 Rev A, titled "Series 525-11 Alum Inswing Entrance Door (L.M.I.)", sheets 1 through 8 of 8, dated 12-28-14 and last revised on FEB 28, 2014, prepared by Al-Farooq Corporation, signed and sealed by Javad Ahmad, P. E., bearing the Miami-Dade County Product Control Approval stamp with the Notice of Acceptance number and approval date by the Miami-Dade County Product Control Section.

MISSILE IMPACT RATING: Large and Small Missile Impact

Limitations:

1. See DP tables for X & XX in sheets 2. See glazing options in sheet 1 and lock options in sheet 6
2. See sheet 3 for typical installations. Sill, is limited to be installed into min 3-ksi concrete.
3. Single and Double doors w/ threshold item #2 (SIW 545) are rated for water Resistance to DP=**+50 PSF**.
4. Glass lites wider than 36" shall have two setting blocks per FBC requirements.

LABELING: Each unit shall bear a permanent label with the manufacturer's name or logo, city, state and series and following statement: "Miami-Dade County Product Control Approved", noted herein.

RENEWAL of this NOA shall be considered after a renewal application has been filed and there has been no change in the applicable building code negatively affecting the performance of this product.

TERMINATION of this NOA will occur after the expiration date or if there has been a revision or change in the materials, use, and/or manufacture of the product or process. Misuse of this NOA as an endorsement of any product, for sales, advertising or any other purposes shall automatically terminate this NOA. Failure to comply with any section of this NOA shall be cause for termination and removal of NOA.

ADVERTISEMENT: The NOA number preceded by the words Miami-Dade County, Florida, and followed by the expiration date may be displayed in advertising literature. If any portion of the NOA is displayed, then it shall be done in its entirety.

INSPECTION: A copy of this entire NOA shall be provided to the user by the manufacturer or its distributors and shall be available for inspection at the job site at the request of the Building Official.

This NOA consists of this page 1 and evidence pages E-1 & E-2, as well as approval document mentioned above. The submitted documentation was reviewed by **Ishaq I. Chanda, P.E.**



Handwritten signature and date: 2/27/15

NOA No. 14-0325.07
Expiration Date: May 22, 2018
Approval Date: March 05, 2015
Page 1

NOTICE OF ACCEPTANCE: EVIDENCE SUBMITTED

A. DRAWINGS

1. Manufacturer's die drawings and sections.
2. Drawing No. **W14-07 Rev A**, titled "Series 525-11 Alum Inswing Entrance Door (L.M.I.)", sheets 1 through 8 of 8, dated 12-28-14 and last revised on FEB 28, 2014, prepared by Al-Farooq Corporation, signed and sealed by Javad Ahmad, P.E.

B. TESTS

1. Test reports on:
 - 1) Air Infiltration Test, per FBC, TAS 202-94
X @1.57PSF=0.28 cfm/ft² & XX@1.57 PSF= 0.29 cfm/ft²
 - 2) Uniform Static Air Pressure Test, Loading per FBC TAS 202-94
 - 3) Water Resistance Test, per FBC, TAS 202-94
 - 4) Large Missile Impact Test per FBC, TAS 201-94
 - 5) Cyclic Wind Pressure Loading per FBC, TAS 203-94
 - 6) Forced Entry Test, per FBC 2411 3.2.1, TAS 202-94

Along with installation diagram of single /double Aluminum inswing doors, prepared by Black Water Testing Inc., Test reports # **BT-SIW-14-016-A, B, C, and D & E** dated July 08, 2014, all signed and sealed by Yamil Kuri, P.E.

Note: The above test reports have been revised & re-issued on DEC 17, 2014, issued by Black Water Testing Inc., signed and sealed by Yamil Kuri, P.E.

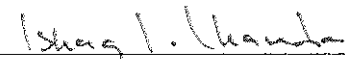
2. Test reports on:
 - 1) Air Infiltration Test, per FBC, TAS 202-94 XX@1.57 PSF= 0.15 cfm/ft²
 - 2) Uniform Static Air Pressure Test, Loading per FBC TAS 202-94
 - 3) Water Resistance Test, per FBC, TAS 202-94
 - 4) Large Missile Impact Test per FBC, TAS 201-94
 - 5) Cyclic Wind Pressure Loading per FBC, TAS 203-94
 - 6) Forced Entry Test, per FBC 2411 3.2.1, TAS 202-94

Along with installation diagram of Double Aluminum Inswing doors, prepared by Black Water Testing Inc., Test reports # **BT-SIW-13-008** and **BT-SIW-13-008(2)**, dated OCT 29, 2013 and December 11, 2013, all signed and sealed by Yamil Kuri, P.E.

Note: The test reports have been revised by an addendum letter dated 12/16/14, issued by Black Water Testing Inc., signed and sealed by Yamil Kuri, P.E.

2. Additional **Reference** Test reports on:
 - 1) Air Infiltration Test, per FBC, TAS 202-94
 - 2) Uniform Static Air Pressure Test, Loading per FBC TAS 202-94
 - 3) Water Resistance Test, per FBC, TAS 202-94
 - 4) Large Missile Impact Test per FBC, TAS 201-94
 - 5) Cyclic Wind Pressure Loading per FBC, TAS 203-94
 - 6) Forced Entry Test, per FBC 2411 3.2.1, TAS 202-94

Along with installation diagram of aluminum Inswing / Outswing doors w/wo sidelite and transom, prepared by Hurricane Engineering and Testing, Test Report No. HETI 07-4339, HETI 07-4371, HETI 07-4371, HETI 07-4372, HETI 07-4373 and HETI 07-4374 dated 01/03/08, HETI-08-2184A & B dated 10/01/08, HETI 09-2572A, HETI 09-2573 dated June 30, 2009, all signed and sealed by Candido Font, P.E.



Ishaq I. Chanda, P.E.
Product Control Examiner
NOA No. 14-0325.07
Expiration Date: May 22, 2018
Approval Date: March 05, 2015

NOTICE OF ACCEPTANCE: EVIDENCE SUBMITTED

B. TESTS

2. Additional Reference Test reports on (continue):

Along with installation diagram of aluminum Outswing doors w/wo sidelite and transom, prepared by Black Water Testing Inc., Test reports #BT-SIW-13-001 and BT-SIW-13-006 dated June 10, 2013 and December 11, 2013, both signed and sealed by Yamil Kuri, P.E.

Note: The above test reports have been revised by an addendum letter dated 05/09/14, issued by Black Water Testing Inc., signed and sealed by Yamil Kuri, P.E.

Along with installation diagram of Single Aluminum Outswing doors w/ sidelite, prepared by Black Water Testing Inc., Test reports # BT-SIW-13-010, BT-SIW-13-010(2), BT-SIW-13-011, BT-SIW-13-011(2), BT-SIW-13-012 and BT-SIW-13-013 dated OCT 29, 2013 and December 11, 2013, all signed and sealed by Yamil Kuri, P.E.

Note: The test reports #BT-SIW-13-010(2) and #BT-SIW-13-011(2) have been revised by an addendum letter dated 05/09/14, issued by Black Water Testing Inc., signed and sealed by Yamil Kuri, P.E

C. CALCULATIONS

1. Anchor verification calculations complying with FBC2014, prepared by Al Farooq Corporation, dated May 12, 2014, SEP 04, 2014, Jul 11, 2014 and last revised on FEB 23, 2015, signed and sealed by Javad Ahmad, P.E.
2. Glazing complies w/ ASTME-1300-02, 04 & -09

D. QUALITY ASSURANCE

1. Miami Dade Department of Regulatory and Economic Resources (RER).

E. MATERIAL CERTIFICATIONS

1. Notice of Acceptance No. **11-0624.02** issued to E.I. DuPont DeNemours & Co., Inc. for their "DuPont Sentry Glass @ interlayer", expiring on 01/14/17.

F. STATEMENTS

1. Statement letter of conformance to FBC 2014 (5th Edition) and letter of no financial interest, prepared by Al Farooq Corporation, dated 08/26/14, signed and sealed by Javad Ahmad, P.E.
2. Lab compliance as part of the above referenced test reports.
3. Addendum letter dated 12/17/14 ref # BT-SIW-14-016-A, B, C, D & E & BT-SIW-13-008 and BT-SIW-13-008(2), dated 05/09/14 ref #BT-SIW-13-005(2), BT-SIW-13-007(2) and BT-SIW-13-009(2), issued by Black Water Testing Inc., signed and sealed by Yamil Kuri, P.E.
4. Addendum letter dated 05/09/14 ref #BT-SIW-13-010(2) and BT-SIW-13-011(2), issued by Black Water Testing Inc., signed and sealed by Yamil Kuri, P.E.
5. Addendum letter dated 05/09/14 ref #BT-SIW-13-001 and BT-SIW-13-006, issued by Black Water Testing Inc., signed and sealed by Yamil Kuri, P.E.
6. Addendum letter ref HETI-07-4374 dated May 06, 2008, issued by HETI, signed and sealed by Candido Font, P.E.

G. OTHER

1. Test proposals dated May 01, 2014, 08/13/13 and 05/23/13 approved by RER.
2. Ref NOA(s) # 14-0306.07, #14-0305.06 and #14-0220.08, 13-0220.06 & 12-0223.23.



Ishaq I. Chanda, P.E.

Product Control Examiner

NOA No. 14-0325.07

Expiration Date: May 22, 2018

Approval Date: March 05, 2015

THESE DOORS ARE RATED FOR LARGE & SMALL MISSILE IMPACT.
SHUTTERS ARE NOT REQUIRED.

SERIES 525-11
ALUMINUM INSWING ENTRANCE DOOR

APPROVAL APPLIES TO SINGLE(X) AND DOUBLE(XX) INSWING LEAF DOORS
SEE SHEET 2 FOR DESIGN LOAD CAPACITIES.

DOORS APPROVED FOR INSTALLATIONS WHERE WATER INFILTRATION
RESISTANCE IS REQUIRED.

THIS PRODUCT HAS BEEN DESIGNED AND TESTED TO COMPLY WITH THE
REQUIREMENTS OF THE FLORIDA BUILDING CODE INCLUDING HIGH VELOCITY
HURRICANE ZONE (HVHZ).

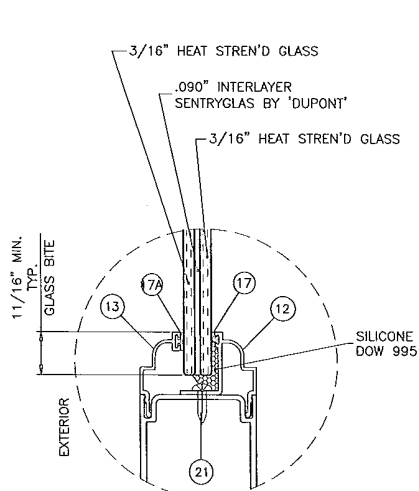
1BY OR 2BY WOOD BUCKS BY OTHERS, MUST BE ANCHORED PROPERLY
TO TRANSFER LOADS TO THE STRUCTURE.

ANCHORS SHALL BE AS LISTED, SPACED AS SHOWN ON DETAILS, ANCHORS
EMBEDMENT TO BASE MATERIAL SHALL BE BEYOND WALL DRESSING OR STUCCO.

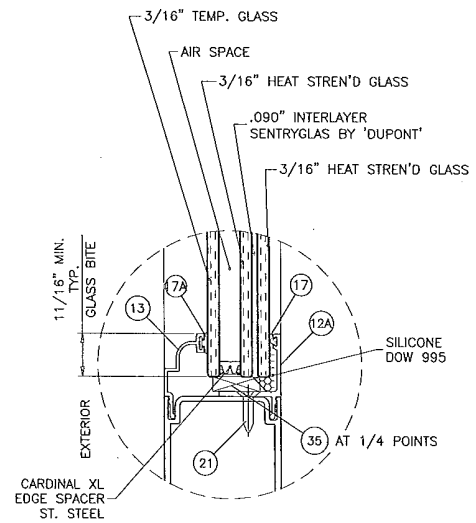
ANCHORING OR LOADING CONDITIONS NOT SHOWN IN THESE DETAILS ARE
NOT PART OF THIS APPROVAL.

A LOAD DURATION INCREASE IS USED IN DESIGN OF ANCHORS INTO WOOD ONLY.

MATERIALS INCLUDING BUT NOT LIMITED TO STEEL/METAL SCREWS, THAT
COME INTO CONTACT WITH OTHER DISSIMILAR MATERIALS SHALL MEET THE
REQUIREMENTS OF THE FLORIDA BLDG. CODE.



GLAZING DETAIL
7/16" OVERALL LAM. GLASS



GLAZING DETAIL
1" OVERALL INSUL. LAM. GLASS

Engr: JAVAD AHMAD
CNIL
FLA. PE # 70592
C.A.N. 3538

FEB 23 2015

Approved as complying with the
Florida Building Code
Date: MAR 03, 2015
NOA#: 14-0325-04
Miami Dade Product Control
By: *[Signature]*

afc

AL-FAROOQ CORPORATION
ENGINEERS & PRODUCT DEVELOPMENT
1235 S.W. 87 AVE
MIAMI, FLORIDA 33174
TEL. (305) 264-8100 FAX. (305) 262-6978
COMP-ANL W13--825IW

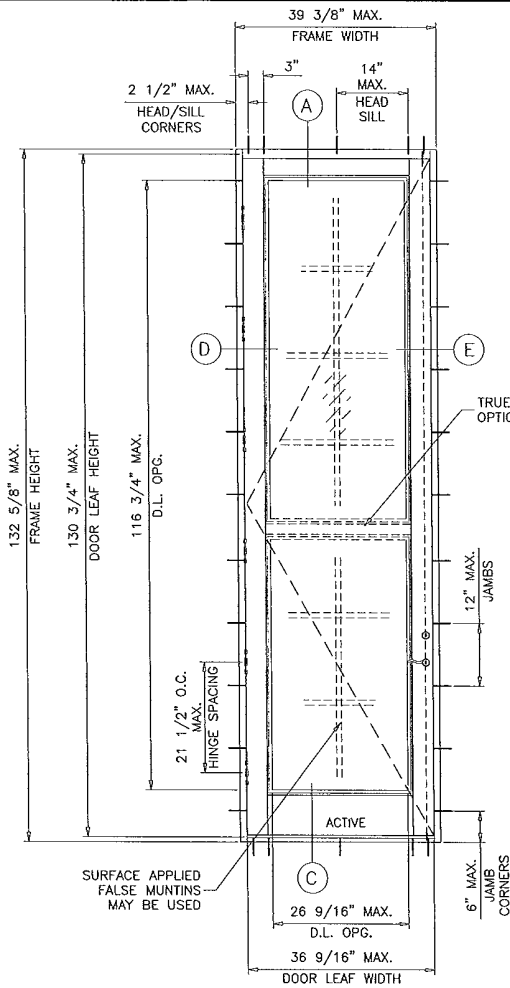
SERIES 525-11 ALUM INSWING ENTRANCE DOOR (L.M.I.)
SIW IMPACT WINDOWS, LLC.
975 S. CONGRESS AVE. #102
DELRAY BEACH, FL. 33445
TEL. (561) 274-9392 FAX. (561) 274-9262

NO.	DATE	BY	DESCRIPTION
A	02/18/15		REV. PER PER COMMENTS

date: 02-28-14
scale: 3/8" = 1"
dr. by: JAVO
chk. by:

drawing no.
W14-07

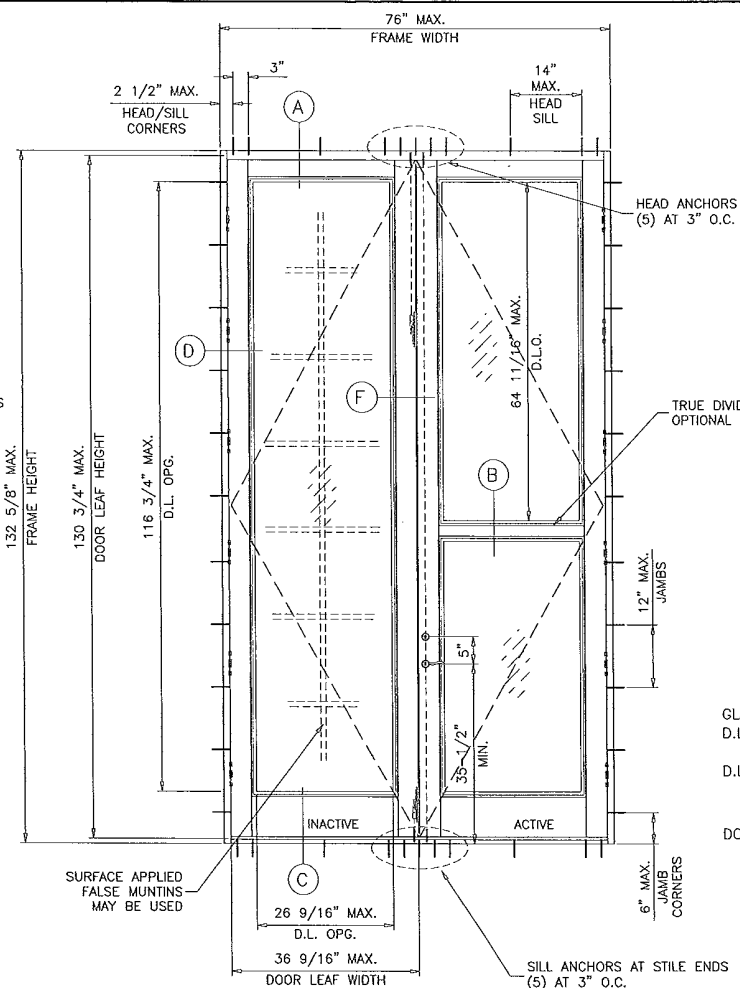
sheet 1 of 8



TYPICAL ELEVATION
(X)

DOORS LOAD CAPACITY - PSF SINGLE DOORS (X)			
DOOR DIMS.		-	
FRAME WIDTH	FRAME HEIGHT	EXT.(+)	INT.(-)
39-3/8"	132-5/8"	50.0	50.0

NOTE:
VERIFY COMPLIANCE WITH EGRESS LIMITATIONS WHERE REQUIRED.



TYPICAL ELEVATION
(XX)

DOORS LOAD CAPACITY - PSF DOUBLE DOORS (XX)			
DOOR DIMS.		-	
FRAME WIDTH	FRAME HEIGHT	EXT.(+)	INT.(-)
76"	132-5/8"	50.0	50.0

GLASS D.L.O. FORMULAE:
 D.L.O. WIDTH = FRAME WIDTH - 12.813" (X DOORS)
 = (FRAME WIDTH - 22.875")/2 (XX DOORS)
 D.L.O. HEIGHT = FRAME HEIGHT - 11.875" (4" BOTTOM RAIL)
 = FRAME HEIGHT - 13.875" (6" BOTTOM RAIL)
 = FRAME HEIGHT - 15.875" (8" BOTTOM RAIL)
 DOOR LEAF HEIGHT = FRAME HEIGHT - 1.875"

Approved as complying with the
Florida Building Code
Date: 3/5/15
NOAH 12-02-2010
Miami-Dade Product Control
B. Ishiyama

NOTE:
GLASS CAPACITIES ON THIS SHEET ARE
BASED ON ASTM E1300-09 (3 SEC. GUSTS)
AND FLORIDA BUILDING COMMISSION
DECLARATORY STATEMENT DCA05-DEC-219

Engr: JAVAD AHMAD
CNL
FLA. PE # 70592
C.A.N. 3538
FEB 23 2015

AL-FAROOQ CORPORATION
 ENGINEERS & PRODUCT DEVELOPMENT
 1235 S.W. 87 AVE
 MIAMI, FLORIDA 33174
 TEL: (305) 264-8100 FAX: (305) 262-6978
 COMP-ANL W13-62SW

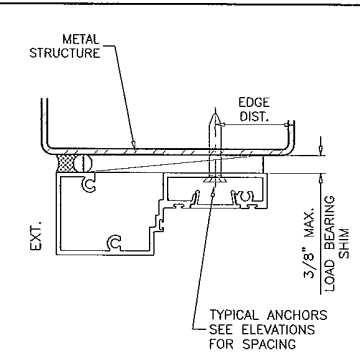
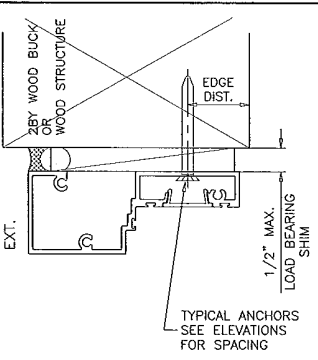
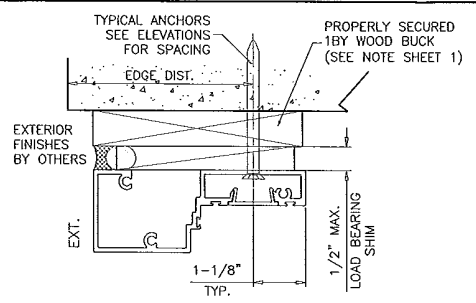
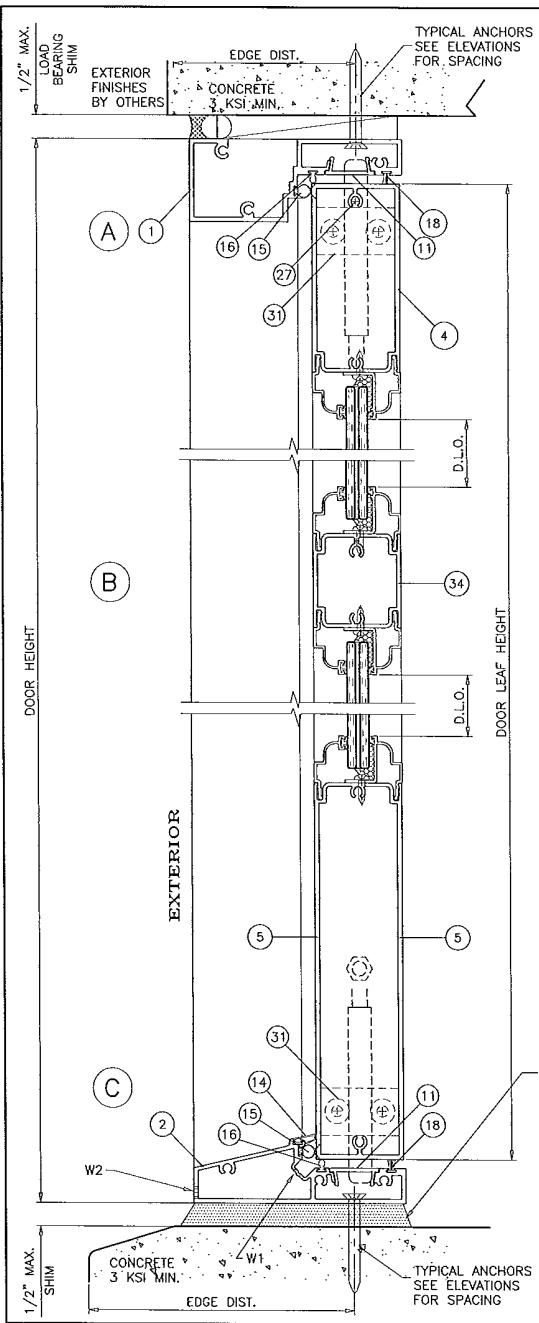
SERIES 525-11 ALUM INSWING ENTRANCE DOOR (L.M.I.)

SIW IMPACT WINDOWS, LLC.
 975 S. CONGRESS AVE. #102
 DELRAY BEACH, FL. 33445
 TEL: (561) 274-9392 FAX: (561) 274-9282

NO.	DATE	BY	DESCRIPTION
A	02-18-15		REV. PER REK COMMENTS

date: 02-28-14
 scale: 1/2"=1'-0"
 dr. by: TARIQ
 chk. by:

drawing no.
W14-07
 sheet 2 of 8



TYPICAL ANCHORS: SEE ELEV. FOR SPACING

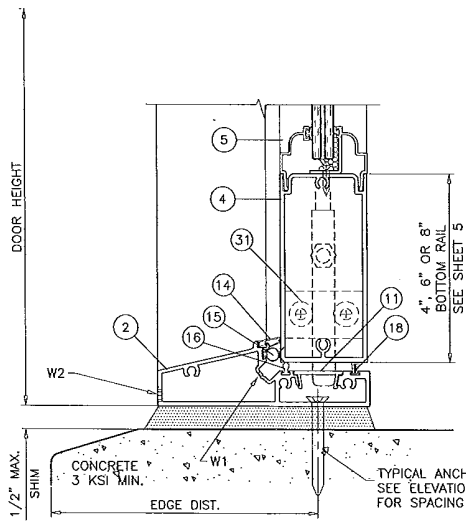
ANCHORS TYPE	SUBSTRATE	AT HEAD		AT SILL		AT JAMBS	
		MIN. LENGTH	MIN. EDGE DIST.	MIN. LENGTH	MIN. EDGE DIST.	MIN. LENGTH	MIN. EDGE DIST.
1/4" DIA. ULTRACONS BY 'ELCO' (Fu=177 KSI, Fy=155 KSI)	WOOD	2-3/4"	1"	N.A.	N.A.	3-3/4"	1"
	MASONRY	N.A.	N.A.	N.A.	N.A.	3-3/4"	2-1/2"
	CONCRETE	2-3/4"	2-1/2"	2-3/4"	2-1/2"	3-3/4"	2-1/2"
1/4" DIA. SELF DRILLING SCREWS (GRADE 5 CRS)	METAL	3/4"	3/4"	N.A.	N.A.	3/4"	3/4"

WOOD = 2BY WOOD BUCKS OR WOOD STRUCTURE S.G. = 0.55 MIN.
 MASONRY = C-90 HOLLOW/FILLED BLOCK f'm = 2000 PSI MIN.
 CONCRETE = f'c = 3000 PSI MIN.
 METAL = 1/8" MIN. THK. STEEL Fy = 36 KSI MIN.
 MIAMI-DADE COUNTY APPROVED MULLION 1/8" MIN. THK.

PROPERLY SECURED 1BY OR 2BY WOOD BUCKS AND METAL STRUCTURES NOT BY S.I.W.
 MUST SUSTAIN LOADS IMPOSED BY GLAZING SYSTEM AND TRANSFER THEM TO BUILDING STRUCTURE.

ANCHORS MAY BE HEX OR FLAT HEAD.

POURED & HARDENED HIGH STRENGTH GROUT f'c = 5000 PSI MIN. NOT BY S.I.W. MUST TRANSFER SHEAR LOADS TO STRUCTURE
 LOAD BEARING (SOLID SHIMS OPTIONAL TO GROUT)



WEEPHOLES:

- W1 = 1/4" X 1" NOTCH AT 6" FROM EACH END (2) AT CENTER OF XX DOORS ONLY AT 14" APART
- W2 = 1/4" X 1" NOTCH AT 1/2" FROM EACH END

Engr: JAVAD AHMAD CIVIL
 FLA. PE # 70592 C.A.N. 1538
 FEB 23 2015

Approved as complying with the Florida Building Code
 Date: 3/5/15
 NOA# 14-0325-07
 Miami-Dade Product Control?
 B. King L. Chant

AL-FAROOQ CORPORATION
 ENGINEERS & PRODUCT DEVELOPMENT
 1235 S.W. 87 AVE
 MIAMI, FLORIDA 33174
 TEL. (305) 264-8100 FAX. (305) 262-6978
 COMP-ANL W13-6251W

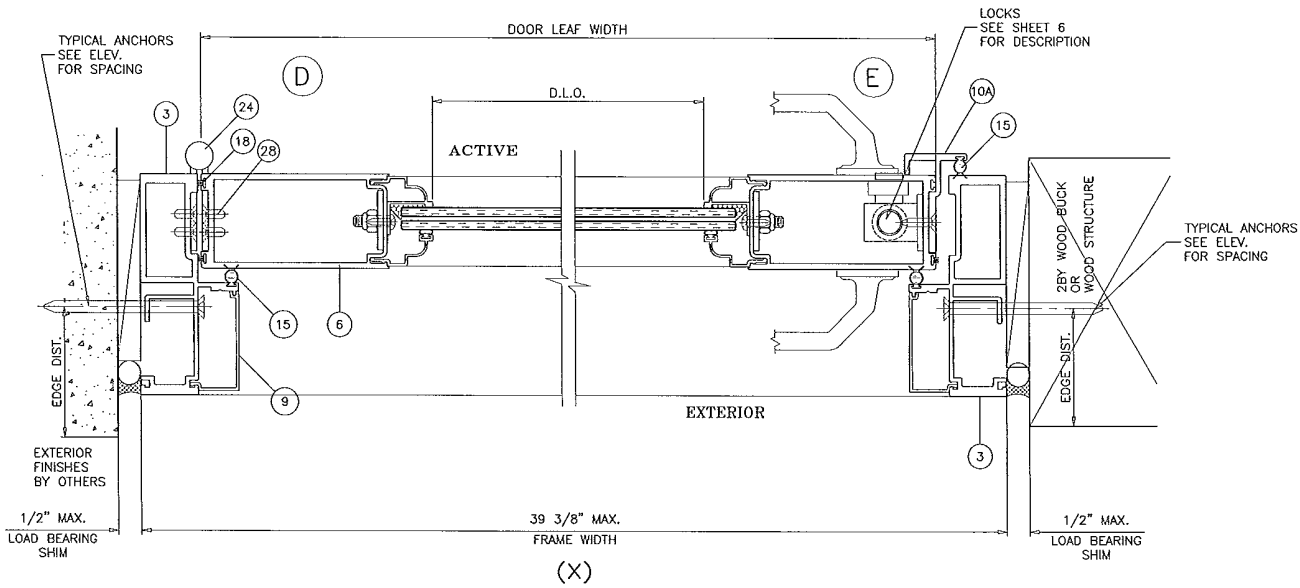
SERIES 525-11 ALUM. INSWING ENTRANCE DOOR (L.M.I.)

SIW IMPACT WINDOWS, LLC.
 975 S. CONGRESS AVE. #102
 DELRAY BEACH, FL. 33445
 TEL. (561) 274-9392 FAX. (561) 274-9262

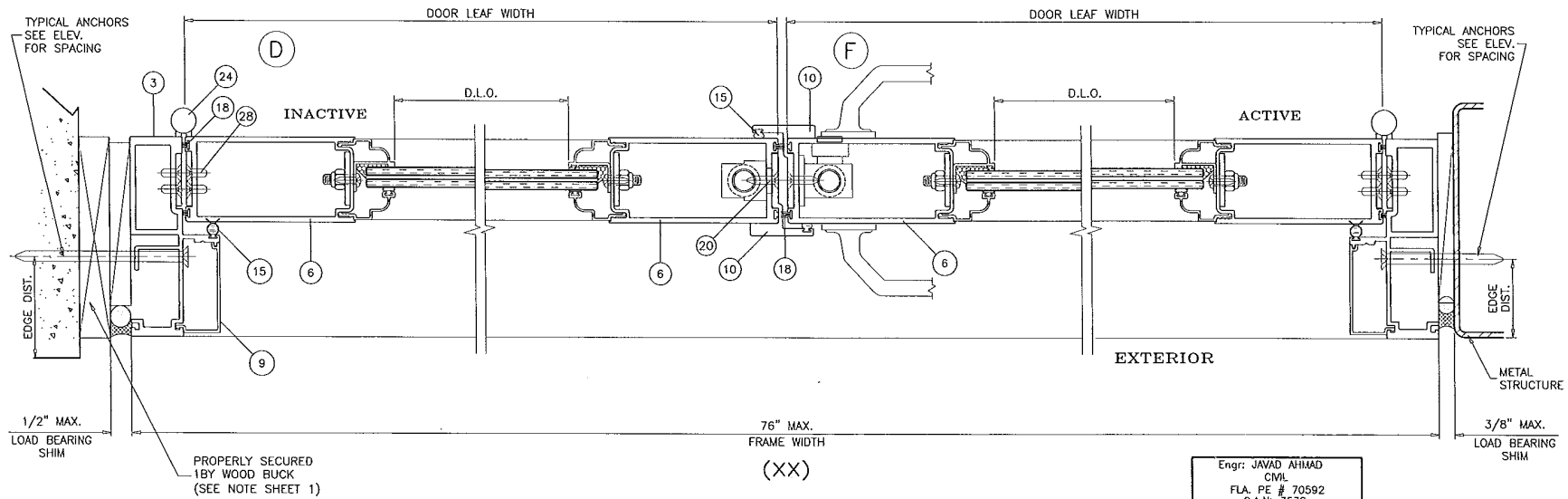
REV.	DATE	DESCRIPTION
A	02.18.15	REV. PER REF COMMENTS

date: 02-28-14
 scale: 3/8" = 1"
 dr. by: TARIQ
 chk. by:

drawing no. **W14-07**
 sheet 3 of 8



Approved as complying with the
Florida Building Code
Date 3/23/15
NOAH 12-132207
Miami Door Product Control
By: [Signature]



Engr: JAVAD AHMAD
CIVIL
FLA. PE # 70592
C.A.N. 3538

FEB 23 2015

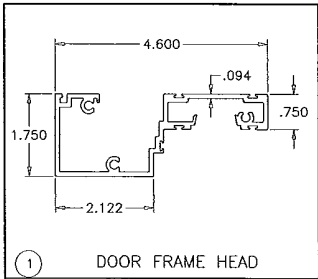
af c
AL-FAROQ CORPORATION
 ENGINEERS & PRODUCT DEVELOPMENT
 1235 S.W. 87 AVE
 MIAMI, FLORIDA 33174
 TEL. (305) 264-8100 FAX. (305) 262-6978
 COMP-ANL W13-625W

SERIES 525-11 ALUM INSWING ENTRANCE DOOR (L.M.I.)
SIW IMPACT WINDOWS, LLC.
 975 S. CONGRESS AVE. #102
 DELRAY BEACH, FL 33445
 TEL. (561) 274-9392 FAX. (561) 274-9282

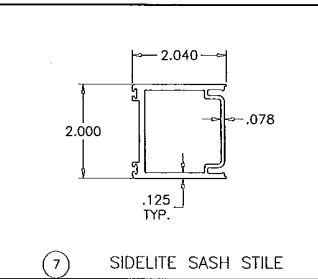
NO.	DATE	BY	DESCRIPTION
A	102.18.15	REV.	PER PER COMMENTS

date: 02-28-14	scale: 3/8" = 1"
dr. by: FARIQ	chk. by:

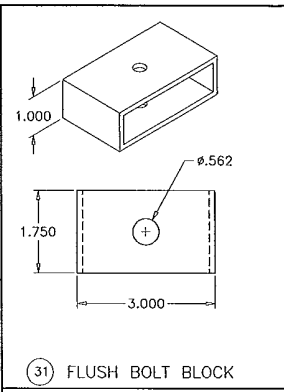
drawing no.
W14-07
 sheet 4 of 8



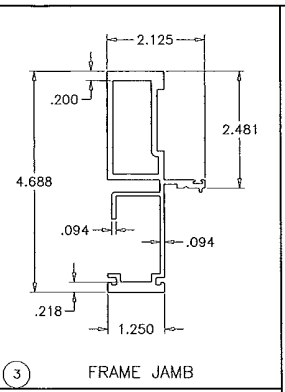
1 DOOR FRAME HEAD



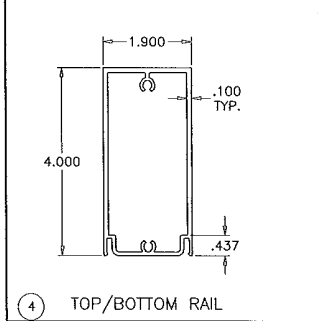
7 SIDELITE SASH STILE



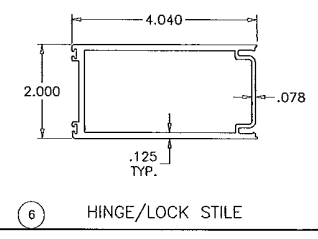
31 FLUSH BOLT BLOCK



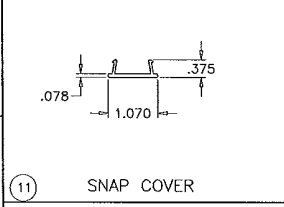
3 FRAME JAMB



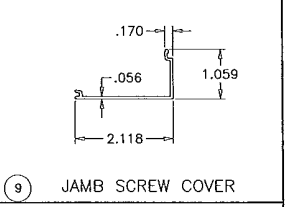
4 TOP/BOTTOM RAIL



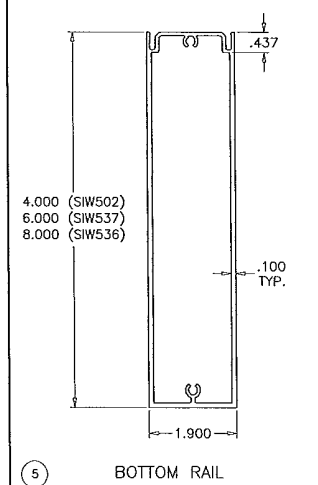
6 HINGE/LOCK STILE



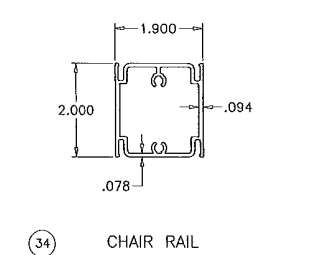
11 SNAP COVER



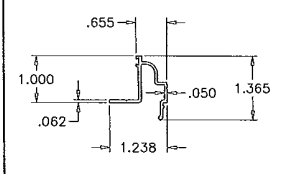
9 JAMB SCREW COVER



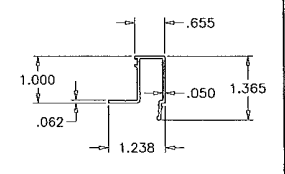
5 BOTTOM RAIL



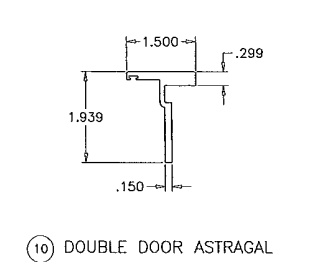
34 CHAIR RAIL



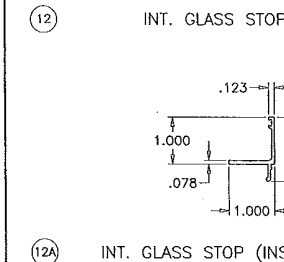
12 INT. GLASS STOP (LAM. GLASS)



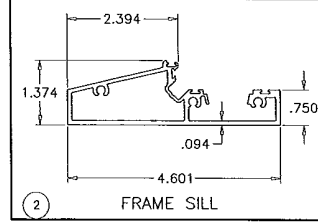
12.1



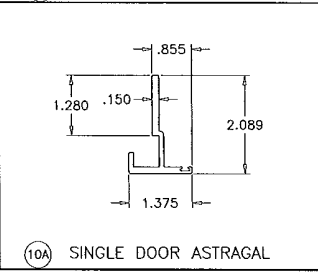
10 DOUBLE DOOR ASTRAGAL



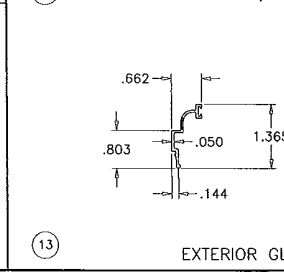
12A INT. GLASS STOP (INSUL. LAM. GLASS)



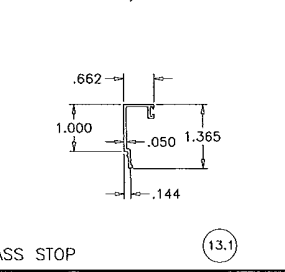
2 FRAME SILL



10A SINGLE DOOR ASTRAGAL



13 EXTERIOR GLASS STOP



13.1

Approved as complying with the Florida code
 Date: 2/2/15
 NOAH 12-052507
 Miami Door Product Control
 B. [Signature]

Engr: JAVAD AHMAD
 CIVIL
 FLA. PE # 70592
 C.A.N. 3538
 FEB 23 2015

afc
AL-FAROOQ CORPORATION
 ENGINEERS & PRODUCT DEVELOPMENT
 1235 S.W. 87 AVE
 MIAMI, FLORIDA 33174
 TEL. (305) 264-8100 FAX. (305) 262-6978
 COMP-ANL W13-6251W

SERIES 525-11 ALUM INSWING ENTRANCE DOOR (L.M.I.)
SIW IMPACT WINDOWS, LLC.
 975 S. CONGRESS AVE. #102
 DELRAY BEACH, FL. 33445
 TEL. (561) 274-9392 FAX. (561) 274-9282

NO.	DATE	BY	DESCRIPTION
A	10/18/15		NO CHANGE THIS SHEET

date: 02-28-14
 scale: 3/8" = 1"
 dr. by: TARIQ
 chk. by:

drawing no.
W14-07
 sheet 5 of 8

STD. LOCKS:

ACTIVE LEAF:

OPTION #1:

SENTINEL MULTIPOINT LOCK BY 'ASHLAND'
WITH THROW BOLT AT 35-1/2" FROM BOTTOM
FLUSH BOLTS CONNECTED TO LOCK
KEY OPERATED ON EXTERIOR AND THUMB TURN ON
INTERIOR AND ENGAGING FRAME AT HEAD AND SILL
WITH 1/2" MIN. PENETRATION

OPTION #2:

3 POINT LOCK ASSEMBLY (M1805S) BY 'ADAMS RITE'
WITH THROW BOLT AT 36" FROM BOTTOM
FLUSH BOLTS CONNECTED TO LOCK
KEY OPERATED ON EXTERIOR AND THUMB TURN ON
INTERIOR AND ENGAGING FRAME AT HEAD WITH 4016 ARM
AND AT SILL WITH 4015 ARM
1/2" MIN. PENETRATION

INACTIVE LEAF

CONCEALED FLUSH BOLTS (FB-1202-914)
BY 'SULLIVAN & ASSOC.'
MANUALLY OPERATED LEVERS MOUNTED ON
INSIDE FACE OF LEAF STILE LOCATED AT
12" FROM BOTTOM AND 34" FROM TOP

HINGES:

(6) 4" X 4" ST. STEEL BUTT HINGES DELTANA (DSB4NB OR SD44HD)
AT 13" FROM TOP AND BOTTOM ENDS AND 21-1/2" O.C. MAX.
HINGE ATTACHED TO DOOR FRAME AND DOOR STILE
USING (4) #12 X 1" FH MS

SEALANT:

ALL JOINTS AND FRAME CONNECTIONS SEALED WITH
'SCHNEE-MOREHEAD 5504' SEAM SEALER.

ITEM #	PART #	REQD.	DESCRIPTION	MATERIAL	MANF./SUPPLIER/REMARKS
1	SIW505	1	DOOR FRAME HEAD	6063-T6	SIW SELECTED EXTRUDER
2	SIW545	1	INSWING FRAME SILL	6063-T6	SIW SELECTED EXTRUDER
3	SIW506	2/DOOR	FRAME JAMB	6063-T6	SIW SELECTED EXTRUDER
4	SIW502	1/ LEAF	DOOR TOP/BOTTOM RAIL	6063-T6	SIW SELECTED EXTRUDER
5	SIW536	1/ LEAF	DOOR BOTTOM RAIL	6063-T6	SIW SELECTED EXTRUDER
6	SIW503	2/ LEAF	HINGE STILE/LOCK STILE	6063-T6	SIW SELECTED EXTRUDER
9	SIW511	AS REQD.	JAMB SCREW COVER	6063-T6	SIW SELECTED EXTRUDER
10	SIW509	AS REQD.	DOUBLE DOOR ASTRAGAL	6063-T6	SIW SELECTED EXTRUDER
10A	SIW535	AS REQD.	SINGLE DOOR ASTRAGAL	6063-T6	SIW SELECTED EXTRUDER
11	SIW510	AS REQD.	SCREW COVER	6063-T6	SIW SELECTED EXTRUDER
12	SIW512	AS REQD.	INTERIOR GLASS STOP (LAM. GLASS)	6063-T6	SIW SELECTED EXTRUDER
12.1	SIW540	AS REQD.	INTERIOR GLASS STOP SQUARE (LAM. GLASS)	6063-T6	SIW SELECTED EXTRUDER
12A	SIW520	AS REQD.	INTERIOR GLASS STOP (INSUL. LAM. GLASS)	6063-T5	SIW SELECTED EXTRUDER
13	SIW513	AS REQD.	EXTERIOR GLASS STOP	6063-T6	SIW SELECTED EXTRUDER
13.1	SIW541	AS REQD.	EXTERIOR GLASS STOP SQUARE	6063-T6	SIW SELECTED EXTRUDER
14	SIW548	1	THRESHOLD TRIM	EDPM	DUROMETER 75±5 SHORE A
15	9016E	-	BULB W'STRIPPING	VINYL	CENTRAL PLSTICS
16	U4513	-	Q-LON W'STRIPPING	VINYL	SCHLEGEL
17	5530	AS REQD.	INTERIOR GLAZING GASKET (DUROMETER 70±5)	SANTOPRENE	BY CENTRAL PLASTICS
17A	5531	AS REQD.	EXTERIOR GLAZING GASKET (DUROMETER 70±5)	SANTOPRENE	BY CENTRAL PLASTICS
18	W23201NW0020	AS REQD.	FINSEAL PILE W'STRIPPING	-	ULTRAFAB
20	#8 X 1/2"	-	ASTRAGAL SCREWS PH SMS	-	AT 4" FROM ENDS & 24" O.C.
21	#8 X 1/2"	AS REQD.	GLASS STOP SCREWS SELF DRILLING	-	AT 8" FROM ENDS & 15" O.C. MAX.
24	SD44HD	4/LEAF	BUTT HINGES	-	STAINLESS STEEL
27	#12 X 2"	1/ CORNER	FRAME AND LEAF ASSEMBLY SCREWS	ST. STEEL	HWH SMS
28	#12 X 1/2"	AS REQD.	HINGE ASSEMBLY SCREWS	ST. STEEL	FH MS TYPE F SS
31	SIW 521	-	FLUSH BOLT BLOCK	6063-T6	-
32	#2	-	FLUSH BOLTS	-	SULLIVAN & ASSOC.
34	SIW539	-	2" CHAIR RAIL	6063-T6	-
35	-	AS REQD.	SETTING BLOCKS AT 1/4 POINTS	EPDM	DUROMETER 85±5 SHORE A

Approved as per drawing with the
Florida Building Code
Date: 3/25/15
NOA# 14-0220
Miami Dade Product Control
By: [Signature]

Engr. JAVAD AHMAD
CIVIL
FLA. PE # 70592
C.A.N. # 538
[Signature]
FEB 23 2015

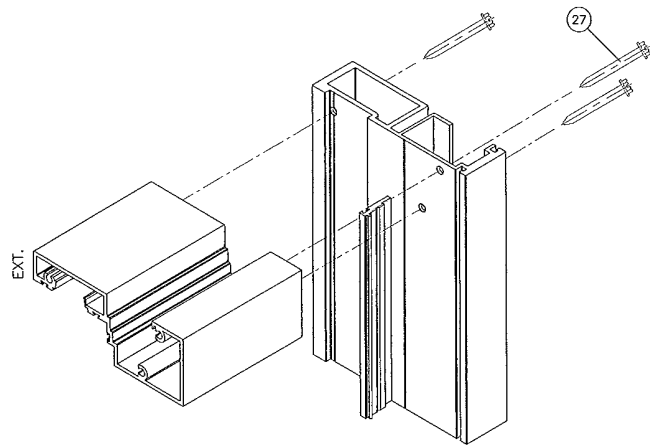
AL-FAROOQ CORPORATION
ENGINEERS & PRODUCT DEVELOPMENT
1235 S.W. 37th Ave
MIAMI, FLORIDA 33174
TEL (305) 264-8100 FAX (305) 266-8978
COMP-ANL V13-625W

SERIES 525-11 ALUM. INSWING ENTRANCE DOOR (L.M.I.)
SIW IMPACT WINDOWS, LLC.
975 S. CONGRESS AVE. #102
DELRAY BEACH, FL. 33445
TEL. (561) 274-9392 FAX. (561) 274-9262

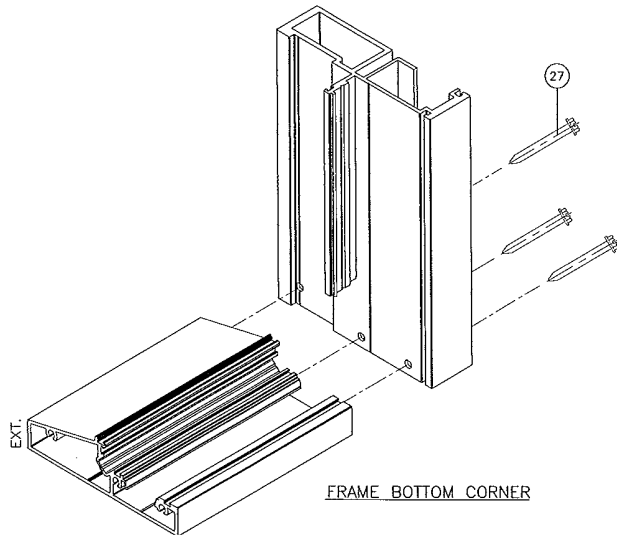
NO.	DATE	BY	DESCRIPTION
A	02.18.15		REV. PER PER COMMENTS

letter: 02-28-14
scale: 3/8" = 1"
dr. by: TARQ
chk. by:

drawing no.
W14-07
sheet 6 of 8



FRAME TOP CORNER



FRAME BOTTOM CORNER

Approved as complying with the
Florida Building Code
Date: 3/5/15
NOA# 14-0327-01
Miami-Dade Product Control
By: [Signature]

Engr: JAVAD AHMAD
CIVIL
FLA. PE # 70592
C.A.N.A. 3538
FEB 23 2015

afc

AL-FAROOQ CORPORATION
ENGINEERS & PRODUCT DEVELOPMENT
1235 S.W. 87 AVE
MIAMI, FLORIDA 33174
TEL. (305) 264-8100 FAX. (305) 262-6978
COMP-ANL W13-62SIW

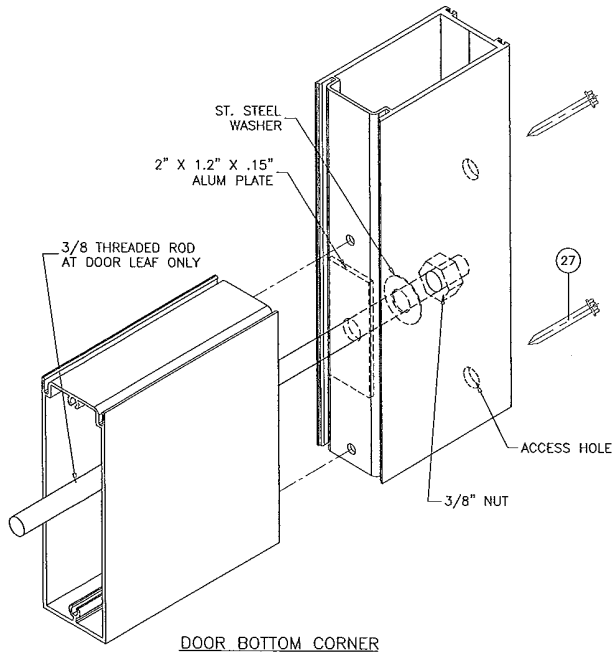
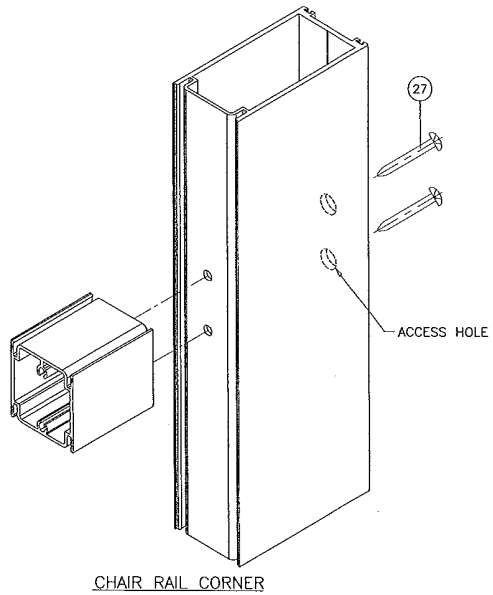
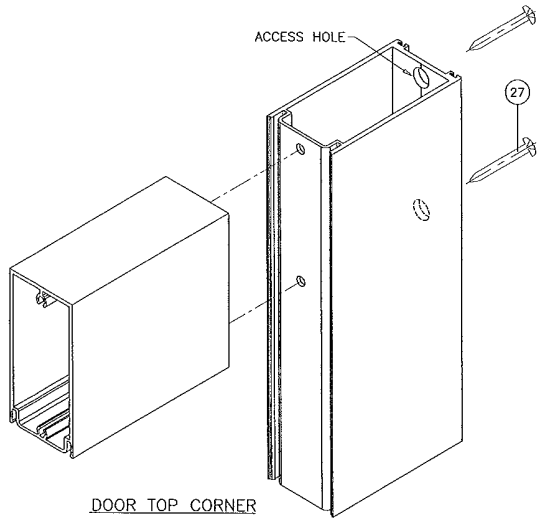
SERIES 525-11 ALUM INSWING ENTRANCE DOOR (L.M.I.)
SIW IMPACT WINDOWS, LLC.
975 S. CONGRESS AVE. #102
DELRAY BEACH, FL. 33445
TEL. (561) 274-9392 FAX. (561) 274-9262

NO.	DATE	BY	DESCRIPTION
A	02/18/15		REV. PER PER COMMENTS

date: 02-28-14	scale: 3/8" = 1"
dr. by: TARIQ	chk. by:

drawing no.
W14-07

sheet 7 of 8



Approved as per drawing with the
 Florida ~~Handbook~~
 Date ~~02/25/2015~~
 NOA# ~~14-0220-01~~
 Miami-Dade Product Checklist
 B. Lakshmi

Engr: JAVAD AHMAD
 CIVIL
 FLA. PE # 70592
 C.A.N. 0538
 FEB 23 2015

af c
AL-FAROOQ CORPORATION
 ENGINEERS & PRODUCT DEVELOPMENT
 1235 S.W. 87 AVE
 MIAMI, FLORIDA 33174
 TEL. (305) 264-8100 FAX. (305) 262-6978
 COMP-ANL W13-62SIW

SERIES 525-11 ALUM INSWING ENTRANCE DOOR (L.M.I.)
SIW IMPACT WINDOWS, LLC.
 975 S. CONGRESS AVE. #102
 DELRAY BEACH, FL. 33445
 TEL. (561) 274-9392 FAX. (561) 274-9262

NO	DATE	BY	DESCRIPTION
A	02.18.15		NO CHANGE THIS SHEET

date: 02-28-14
 scale: 3/8" = 1"
 dr. by: PARIC
 chk. by:

drawing no.
W14-07
 sheet 8 of 8