



DEPARTMENT OF REGULATORY AND ECONOMIC RESOURCES (RER)
BOARD AND CODE ADMINISTRATION DIVISION

NOTICE OF ACCEPTANCE (NOA)

MIAMI-DADE COUNTY
PRODUCT CONTROL SECTION

11805 SW 26 Street, Room 208
Miami, Florida 33175-2474
T (786) 315-2590 F (786) 315-2599

www.miamidade.gov/economy

SIW Impact Windows LLC
975 S. Congress Ave. #102
Delray Beach, FL 33445

SCOPE:

This NOA is being issued under the applicable rules and regulations governing the use of construction materials. The documentation submitted has been reviewed and accepted by Miami-Dade County RER-Product Control Section to be used in Miami Dade County and other areas where allowed by the Authority Having Jurisdiction (AHJ).

This NOA shall not be valid after the expiration date stated below. The Miami-Dade County Product Control Section (In Miami Dade County) and/or the AHJ (in areas other than Miami Dade County) reserve the right to have this product or material tested for quality assurance purposes. If this product or material fails to perform in the accepted manner, the manufacturer will incur the expense of such testing and the AHJ may immediately revoke, modify, or suspend the use of such product or material within their jurisdiction. RER reserves the right to revoke this acceptance, if it is determined by Miami-Dade County Product Control Section that this product or material fails to meet the requirements of the applicable building code.

This product is approved as described herein, and has been designed to comply with the Florida Building Code, including the High Velocity Hurricane Zone.

DESCRIPTION: Series S-2000-12 Aluminum and Glass Sectional Garage Door up to 12'-0" Wide

APPROVAL DOCUMENT: Drawing No. 17-03, titled "S-2000 (12) Alum/Glass Sectional Garage Door (L.M.I.), sheets 1 through 8 of 8, dated 02/09/2017, with revision A dated 03/23/2017, prepared by the Al-Farooq Corporation, signed and sealed by Javad Ahmad, P.E., bearing the Miami-Dade County Product Control approval stamp with the Notice of Acceptance number and approval date by the Miami-Dade County Product Control Section.

MISSILE IMPACT RATING: Large and Small Missile Impact Resistant

LABELING: A permanent label with the manufacturer's name or logo, manufacturing address, model number, the positive and negative design pressure rating, indicate impact rated if applicable, installation instruction drawing reference number, approval number (NOA), the applicable test standards, and the statement reading 'Miami-Dade County Product Control Approved' is to be located on the door's side track, bottom angle, or inner surface of a panel.

RENEWAL of this NOA shall be considered after a renewal application has been filed and there has been no change in the applicable building code negatively affecting the performance of this product.

TERMINATION of this NOA will occur after the expiration date or if there has been a revision or change in the materials, use, and/or manufacture of the product or process. Misuse of this NOA as an endorsement of any product, for sales, advertising or any other purposes shall automatically terminate this NOA. Failure to comply with any section of this NOA shall be cause for termination and removal of NOA.

LIMITATION: Roll-up mechanism is not part of this approval.

ADVERTISEMENT: The NOA number preceded by the words Miami-Dade County, Florida, and followed by the expiration date may be displayed in advertising literature. If any portion of the NOA is displayed, then it shall be done in its entirety.

INSPECTION: A copy of this entire NOA shall be provided to the user by the manufacturer or its distributors and shall be available for inspection at the job site at the request of the Building Official.

This NOA consists of this page 1 and evidence page E-1, as well as approval document mentioned above.

The submitted documentation was reviewed by **Carlos M. Utrera, P.E.**



Carlos M. Utrera
04/13/2017

NOA No. 17-0215.09
Expiration Date: April 20, 2022
Approval Date: April 20, 2017
Page 1

NOTICE OF ACCEPTANCE: EVIDENCE SUBMITTED

A. DRAWINGS

1. Drawing No. **17-03**, titled "S-2000 (12) Alum/Glass Sectional Garage Door (L.M.I.), sheets 1 through 8 of 8, dated 02/09/2017, with revision A dated 03/23/2017, prepared by the Al-Farooq Corporation, signed and sealed by Javad Ahmad, P.E.

B. TESTS

1. Addendum letter to Test Report No. **BT-SIW-16-006**, dated 03/21/2017, signed and sealed by Constantin Bortes, P.E.
2. Test reports on 1) Air Infiltration Test, per FBC, TAS 202-94
2) Uniform Static Air Pressure Test, Loading per FBC TAS 202-94
3) Large Missile Impact Test per FBC, TAS 201-94
4) Cyclic Wind Pressure Loading per FBC, TAS 203-94
5) Forced Entry Test, per FBC, TAS 202-94
along with marked-up drawings and installation diagram of a Series S-2000 Aluminum Glass Garage Door 12'-0" (Specimens #1 and 4), prepared by Blackwater Testing Inc, Test Report No. **BT-SIW-16-006**, dated 01/18/2017, signed and sealed by Constantin Bortes, P.E.
3. Addendum letter to Test Report No. **BT-SIW-16-003**, dated 03/27/2017, signed and sealed by Constantin Bortes, P.E.
4. Test reports on 1) Uniform Static Air Pressure Test, Loading per FBC TAS 202-94
2) Large Missile Impact Test per FBC, TAS 201-94
3) Cyclic Wind Pressure Loading per FBC, TAS 203-94
4) Forced Entry Test, per FBC, TAS 202-94
along with marked-up drawings and installation diagram of a Series S-2000 Aluminum Glass Garage Doors 12'-0" (Specimens #1, 2, 3 and 4), prepared by Blackwater Testing Inc, Test Report No. **BT-SIW-16-003**, dated 09/19/2016, signed and sealed by Constantin Bortes, P.E.

C. CALCULATIONS

1. Anchor calculations prepared by Al-Farooq Corporation, dated 01/23/2017, signed and sealed by Javad Ahmad, P.E.

D. QUALITY ASSURANCE

1. Miami-Dade Department of Regulatory and Economic Resources (RER)

E. MATERIAL CERTIFICATIONS

1. None.

F. STATEMENTS

1. Statement letter of code conformance to the 5th edition (2014) FBC and of no financial interest issued by Al-Farooq Corporation, dated 01/23/2017, signed and sealed by Javad Ahmad, P.E.



Carlos M. Utrera, P.E.
Product Control Examiner
NOA No. 17-0215.09
Expiration Date: April 20, 2022
Approval Date: April 20, 2017

NOTE:
GLASS CAPACITIES ARE
BASED ON ASTM E1300-09 (3 SEC. GUSTS)
AND FLORIDA BUILDING COMMISSION
DECLARATORY STATEMENT DCA05-DEC-219

THESE DOORS ARE RATED FOR LARGE & SMALL MISSILE IMPACT.
SHUTTERS ARE NOT REQUIRED.

SERIES 2000 (12)
ALUMINUM/GLASS SECTIONAL GARAGE DOOR

THIS PRODUCT HAS BEEN DESIGNED AND TESTED TO COMPLY WITH THE REQUIREMENTS OF THE 2014 (5TH EDITION) FLORIDA BUILDING CODE INCLUDING HIGH VELOCITY HURRICANE ZONE (HVHZ).

WOOD BUCKS & BUCK FASTENERS BY OTHERS, MUST BE DESIGNED AND INSTALLED ADEQUATELY TO TRANSFER APPLIED PRODUCT LOADS TO THE BUILDING STRUCTURE.

ANCHORS SHALL BE CORROSION RESISTANT, SPACED AS SHOWN ON DETAILS AND INSTALLED PER MANUF'S INSTRUCTIONS. SPECIFIED EMBEDMENT TO BASE MATERIAL SHALL BE BEYOND WALL DRESSING OR STUCCO.

A LOAD DURATION INCREASE IS USED IN DESIGN OF ANCHORS INTO WOOD ONLY.

ALL SHIMS TO BE HIGH IMPACT, NON-METALLIC AND NON-COMPRESSIBLE.

MATERIALS INCLUDING BUT NOT LIMITED TO STEEL/METAL SCREWS, THAT COME INTO CONTACT WITH OTHER DISSIMILAR MATERIALS SHALL MEET THE REQUIREMENTS OF THE 2014 FLORIDA BUILDING CODE & ADOPTED STANDARDS.

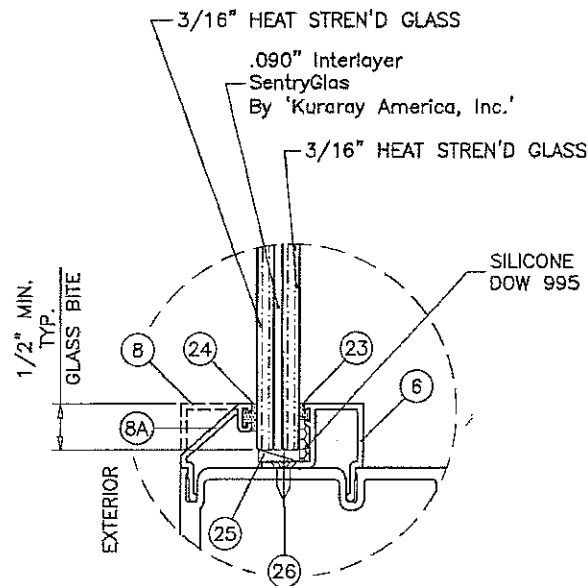
THIS PRODUCT APPROVAL IS GENERIC AND DOES NOT PROVIDE INFORMATION FOR A SITE SPECIFIC PROJECT, I.E. LIFE SAFETY OF THIS PRODUCT, ADEQUACY OF STRUCTURE RECEIVING THIS PRODUCT AND SEALING AROUND OPENING FOR WATER INFILTRATION RESISTANCE ETC.

CONDITIONS NOT SHOWN IN THIS DRAWING ARE TO BE ANALYZED SEPARATELY, AND TO BE REVIEWED BY BUILDING OFFICIAL.

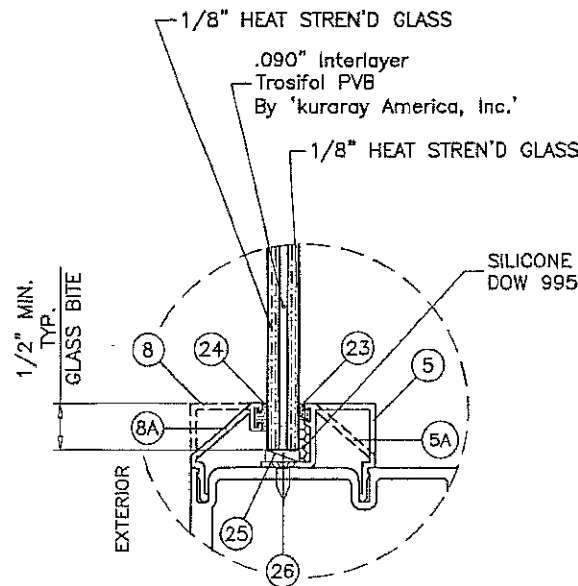
MANUFACTURER'S LABEL SHALL BE LOCATED ON A READILY VISIBLE LOCATION IN ACCORDANCE WITH SECTION 1710.8.3 OF FLORIDA BUILDING CODE. LABELING TO COMPLY WITH SECTION 1710.8.2.

DOORS APPROVED FOR INSTALLATIONS WHERE AIR INFILTRATION RESISTANCE IS REQUIRED.

Test Pressure = 6.24 Psf
Measured Flow = 0.04 cfm/ft²



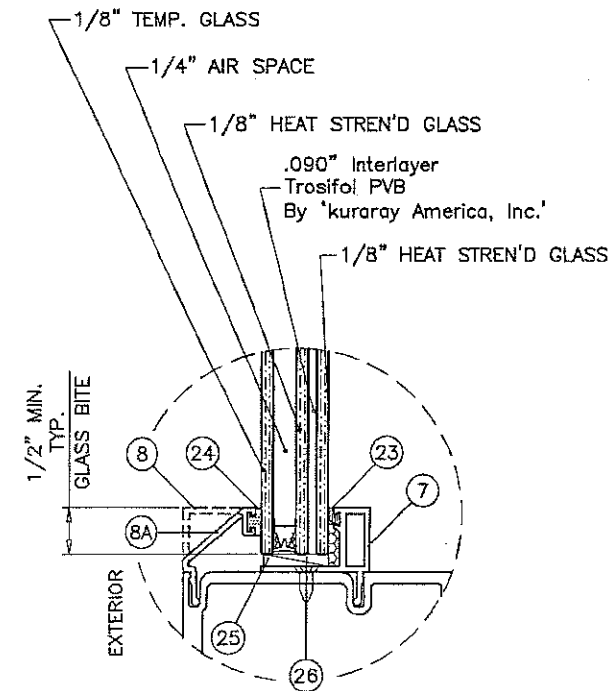
GLASS TYPE 'G1'
7/16" OVERALL LAM. GLASS



GLASS TYPE 'G2'
5/16" OVERALL LAM. GLASS

FOR USE AT DIVIDED LITES ONLY
LIMIT MAX. LOADS TO +46.0 & -56.0 PSF

GLAZING OPTIONS

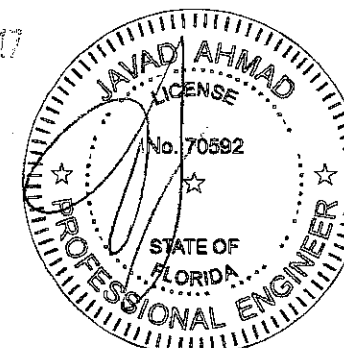


GLASS TYPE 'G3'
11/16" OVERALL INSUL. LAM. GLASS

FOR USE AT DIVIDED LITES ONLY

PRODUCT APPROVED
as complying with the Florida
Building Code
NOA-No. **17-0215.09**
Approval Date **04/20/2017**
By *[Signature]*
Miami-Dade Product Control

MAR 29 2017



S-2000 (12) ALUM/GLASS SECTIONAL GARAGE DOOR (L.M.I.)
SIW IMPACT WINDOWS, LLC.
975 S. CONGRESS AVE. #102
DELRAY BEACH, FL. 33445
TEL (561) 274-9392 FAX (561) 274-9262

revisions:	no	date	by	description	REV. PER	COMMENTS
	A	03.23.17				

date: 02-09-17
scale: 1/2" = 1"
dr. by: TARIQ
chk. by:

drawing no.
17-03

sheet 1 of 8

af c
AL-FAROOQ CORPORATION
ENGINEERS & PRODUCT DEVELOPMENT
9360 SUNSET DRIVE, SUITE 220
MIAMI, FLORIDA 33173 (G.A.N. 3638)
TEL. (305) 264-8100 FAX. (305) 262-6978
COMP-ANL\W17-03SIW

5-1/2" X 3 1/2" X 12 GA.
ST. STEEL TOP BRACKET
W/ (6) #14 X 5/8" SMS

7-1/2" X 3" X 12 GA. ST. STEEL
END ROLLER HINGE
W/ (4) #14 X 5/8" SMS

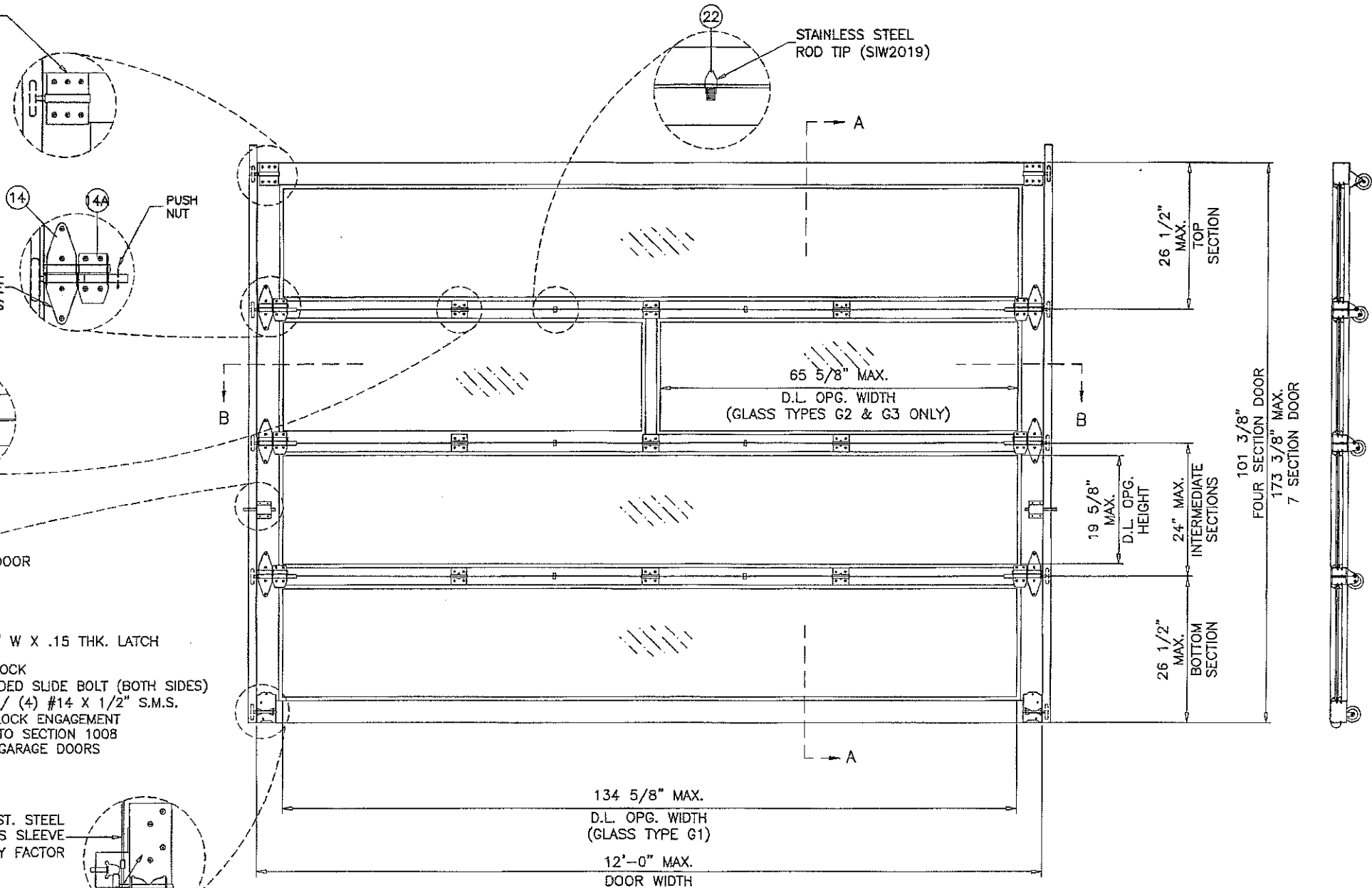
3" X 3" X 12 GA. ST. STEEL
CUT-DOWN HINGE
W/ (4) #14 X 5/8" SMS

1" W X .15 THK. LATCH
STANDARD LOCK
SPRING LOADED SLIDE BOLT (BOTH SIDES)
FASTENED W/ (4) #14 X 1/2" S.M.S.
5/8" MIN. LOCK ENGAGEMENT
CONFORMS TO SECTION 1008
REGARDING GARAGE DOORS

.158 DIA. ST. STEEL
CABLE & NICO-PRESS SLEEVE
W/ MIN. 5 TO 1 SAFETY FACTOR

7-7/8" X 3-1/8" X 12 GA.
ST. STEEL PLATE
WITH (6) #14 X 3/4" SDS

STAINLESS STEEL
ROD TIP (SIW2019)



INSIDE ELEVATION

GLASS TYPES 'G1' & 'G3'
MAXIMUM DESIGN LOAD RATING = + 60.0 PSF
(FOR SIZES SHOWN OR SMALLER) - 60.0 PSF

GLASS TYPE 'G2'
MAXIMUM DESIGN LOAD RATING = + 46.0 PSF
(FOR SIZES SHOWN OR SMALLER) - 56.0 PSF

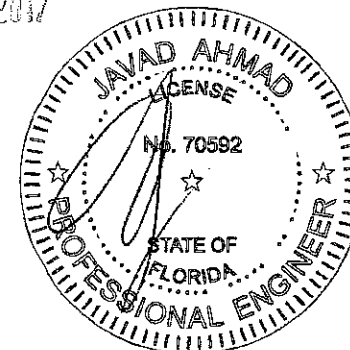
NOMINAL DOOR HEIGHT	CONSISTS OF	
	INTERMEDIATE SECTIONS	TOP AND BOTTOM SECTIONS
8'-6"	2 SECTIONS 24" HIGH	2 SECTIONS 26-1/2" HIGH
10'-6"	3 SECTIONS 24" HIGH	2 SECTIONS 26-1/2" HIGH
12'-6"	4 SECTIONS 24" HIGH	2 SECTIONS 26-1/2" HIGH
14'-6"	5 SECTIONS 24" HIGH	2 SECTIONS 26-1/2" HIGH

PRODUCT APPROVED
as complying with the Florida
Building Code
NOA-No. **17-0215.09**

Approval Date **04/20/2017**

By *[Signature]*
Miami-Dade Product Control

MAR 29 2017



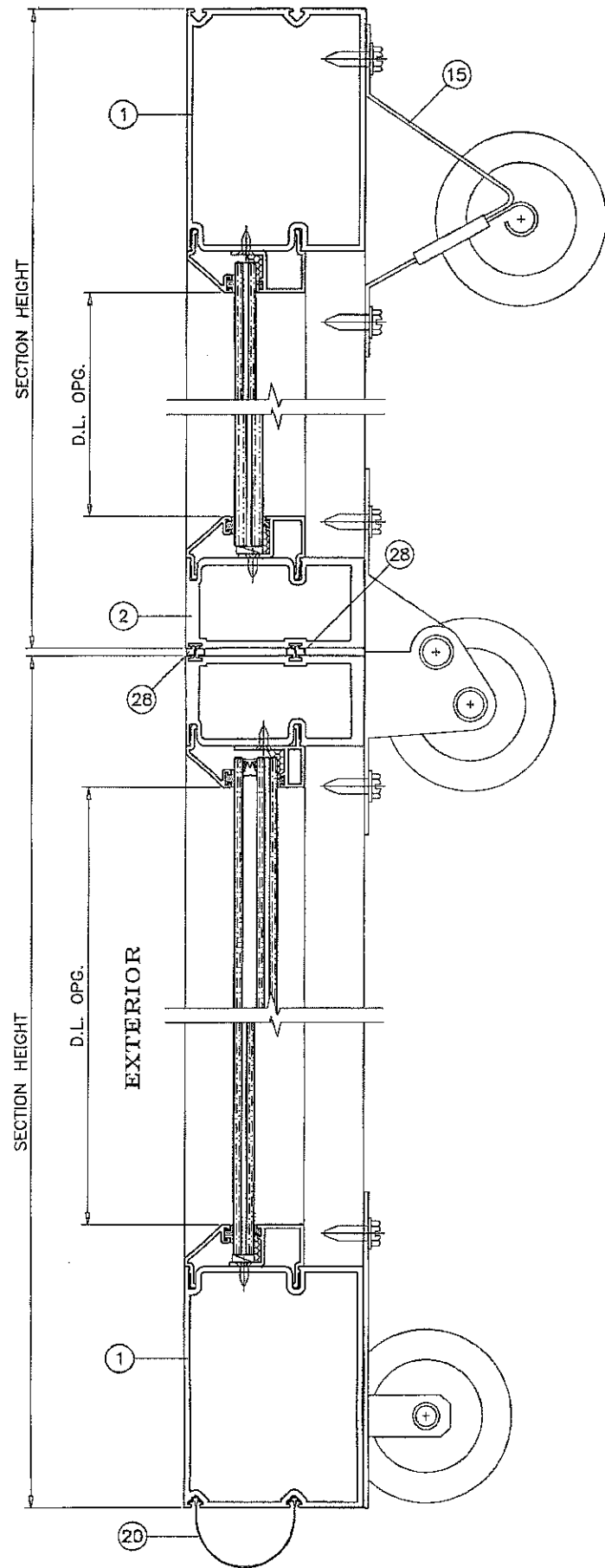
afC
AL-FAROOQ CORPORATION
ENGINEERS & PRODUCT DEVELOPMENT
9360 SUNSET DRIVE, SUITE 220
MIAMI, FLORIDA 33173 (G.A.N. 3538)
TEL. (305) 264-8100 FAX. (305) 262-6978
COMP-ANL\W17-03SIW

S-2000 (12) ALUM/GLASS SECTIONAL GARAGE DOOR (L.M.I.)
SIW IMPACT WINDOWS, LLC.
975 S. CONGRESS AVE. #102
DELRAY BEACH, FL. 33445
TEL. (561) 274-9392 FAX. (561) 274-9262

NO	DATE	DESCRIPTION	REV. PER	COMMENTS
A	03.23.17			

date: 02-09-17
scale: 1/2"=1'-0"
dr. by: TARIQ
chk. by:

drawing no.
17-03
sheet 2 of 8

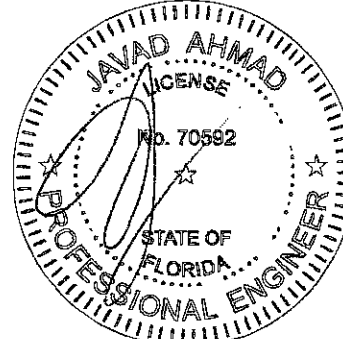


SECTION A-A

ITEM #	PART #	REQD.	DESCRIPTION	MATERIAL	MANF./SUPPLIER/REMARKS
1	SIW2001	2	TOP AND BOTTOM RAIL	6063-T6	-
2	SIW2002	AS REQD.	INTERMEDIATE RAIL	6063-T6	-
3	SIW2004	2/ SECTION	VERTICAL END STILE	6063-T6	-
4	SIW816	AS REQD.	VERTICAL DIVIDER STILE	6063-T6	OPTIONAL
5	SIW2005	4/ SECTION	INTERIOR GLASS STOP (5/16" GLASS)	6063-T6	-
5A	SIW2007	4/ SECTION	ALT. INTERIOR GLASS STOP (5/16" GLASS)	6063-T6	-
6	SIW2012	4/ SECTION	INTERIOR GLASS STOP (7/16" GLASS)	6063-T6	-
7	SIW2013	4/ SECTION	INTERIOR GLASS STOP (INSUL. LAM. GLASS)	6063-T6	-
8	SIW2006	4/ SECTION	EXTERIOR GLASS STOP	6063-T6	-
8A	SIW2008	4/ SECTION	ALT. EXTERIOR GLASS STOP	6063-T6	-
9	SIW2009	AS REQD.	SEAL HOUSING	6063-T6	-
10	SIW303	AS REQD.	SNAP COVER	6063-T6	-
11	AMLOW 201	2	DOOR TRACK (2" ROLLERS)	ST. STEEL	-
11A	SIW2015	2	DOOR TRACK (3" ROLLERS)	ST. STEEL	-
12	AMLOW 200	2	INSTALLATION ANGLE (2" TRACK)	ST. STEEL	-
12A	SIW2015B	2	INSTALLATION ANGLE (3" TRACK)	ST. STEEL	-
13	AMLOW202	AS REQD.	TRACK BRACKET (2" TRACK)	ST. STEEL	-
13A	SIW2016	AS REQD.	TRACK BRACKET (3" TRACK)	ST. STEEL	-
14	H101	AS REQD.	UNIVERSAL HINGES	ST. STEEL	-
14A	H102	AS REQD.	UNIVERSAL HINGES (CUT DOWN)	ST. STEEL	-
15	H103	2	TOP FIXTURE	ST. STEEL	-
16	H104	2	BOTTOM FIXTURE	ST. STEEL	-
17	H106	AS REQD.	OVERHEAD CUT DOWN HINGE	ST. STEEL	-
18	H105	2	STANDARD LOCK	-	-
19	SIW2018	AS REQD.	2" ROLLER WITH 11" STEM	STEEL	-
19A	SIW2017	AS REQD.	3" ROLLER WITH 11" STEM	STEEL	-
20	SIW2011	1	BOTTOM SEAL	SANTOPRENE	CENTRAL PLASTICS
21	SIW2010	AS REQD.	OUTER SEAL	POLYPROPYLENE	MELTPPOINT PLASTICS
22	SIW2019	-	ROD TIP	ST. STEEL	-
23	5530	AS REQD.	INTERIOR GLAZING GASKET	SANTOPRENE	CENTRAL PLASTICS, DUROMETER 70±5 SHORE A
24	5531	AS REQD.	EXTERIOR GLAZING GASKET	SANTOPRENE	CENTRAL PLASTICS, DUROMETER 70±5 SHORE A
25	-	2/ LITE	SETTING BLOCKS AT 1/4 POINTS	EPDM	DUROMETER 85±5 SHORE A
26	#8 X 1/2"	AS REQD.	GLASS STOP SCREWS	ST. STEEL	FH SELF DRILLING, AT 6" FROM ENDS & 24" O.C.
27	H107	2	5/32" SPRING LIFT CABLE	ST. STEEL	-
28	SIW811	AS REQD.	BULB W'STRIPPING AT INTERMEDIATE RAIL	PVC	-
29	#12 X 2"	AS REQD.	ASSEMBLY FASTENERS	ST. STEEL	PH SMS

MAR 29 2017

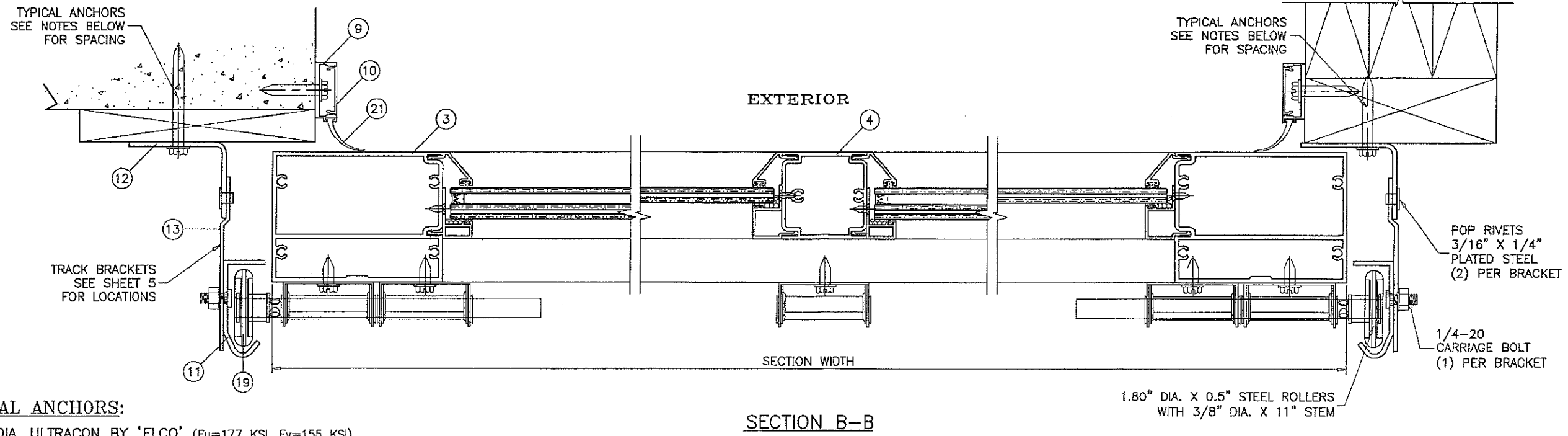
PRODUCT APPROVED
 as complying with the Florida
 Building Code
 NOA-No. 17-0215.09
 Approval Date 04/20/2017
 By *[Signature]*
 Miami-Dade Product Control



afC
AL-FAROOQ CORPORATION
 ENGINEERS & PRODUCT DEVELOPMENT
 9360 SUNSET DRIVE, SUITE 220
 MIAMI, FLORIDA 33173 (C.A.N. 3538)
 TEL (305) 262-6978 FAX (305) 264-8100
 COMP-ANI\W17-03SIW

S-2000 (12) ALUM/GLASS SECTIONAL GARAGE DOOR (L.M.I.)
SIW IMPACT WINDOWS, LLC.
 975 S. CONGRESS AVE. #102
 DELRAY BEACH, FL. 33445
 TEL. (561) 274-9392 FAX. (561) 274-9282

revisions:	no.	date	by	description
	A	03.23.17		REV. PER RER COMMENTS
date:	02-09-17			
scale:	3/8" = 1"			
dr. by:	TARIQ			
chk. by:				
drawing no.	17-03			
sheet	3 of 8			



TYPICAL ANCHORS:

5/16" DIA. ULTRACON BY 'ELCO' (Fu=177 KSI, Fy=155 KSI)

INTO WOOD STRUCTURES
 1-1/2" MIN. PENETRATION INTO WOOD
 AT 2" FROM BOTTOM AND 10" O.C. MAX.

THRU 1BY OR 2BY BUCKS INTO CONC. OR MASONRY
 1-3/4" MIN. EMBED INTO CONCRETE
 2-1/2" MIN. EMBED INTO FILLED BLOCKS
 AT 2" FROM BOTTOM AND 10" O.C. MAX.

DIRECTLY INTO CONCRETE
 1-3/4" MIN. EMBED INTO CONCRETE
 AT 2" FROM BOTTOM AND 10" O.C. MAX.

DIRECTLY INTO MASONRY
 2-1/4" MIN. EMBED INTO FILLED BLOCKS
 AT 2" FROM BOTTOM AND 5" O.C. MAX.

3/8" DIA. KWIK BOLT 3 EXPANSION ANCHOR BY 'HILTI'

DIRECTLY INTO MASONRY
 2-1/2" MIN. EMBED INTO FILLED BLOCKS
 AT 2" FROM BOTTOM AND 10" O.C. MAX.
 4" MIN. EDGE DISTANCE

5/16" DIA. DRIL-FLEX SCREWS BY 'ELCO' (Fu=100 KSI, Fy=65 KSI)

INTO STEEL STRUCTURES
 AT 2" FROM BOTTOM AND 10" O.C. MAX.
 STEEL: 1/8" THK. MIN. (Fy = 36 KSI MIN.)
 (STEEL IN CONTACT WITH ALUMINUM TO BE PLATED OR PAINTED)

5/16" DIA. LAG SCREWS

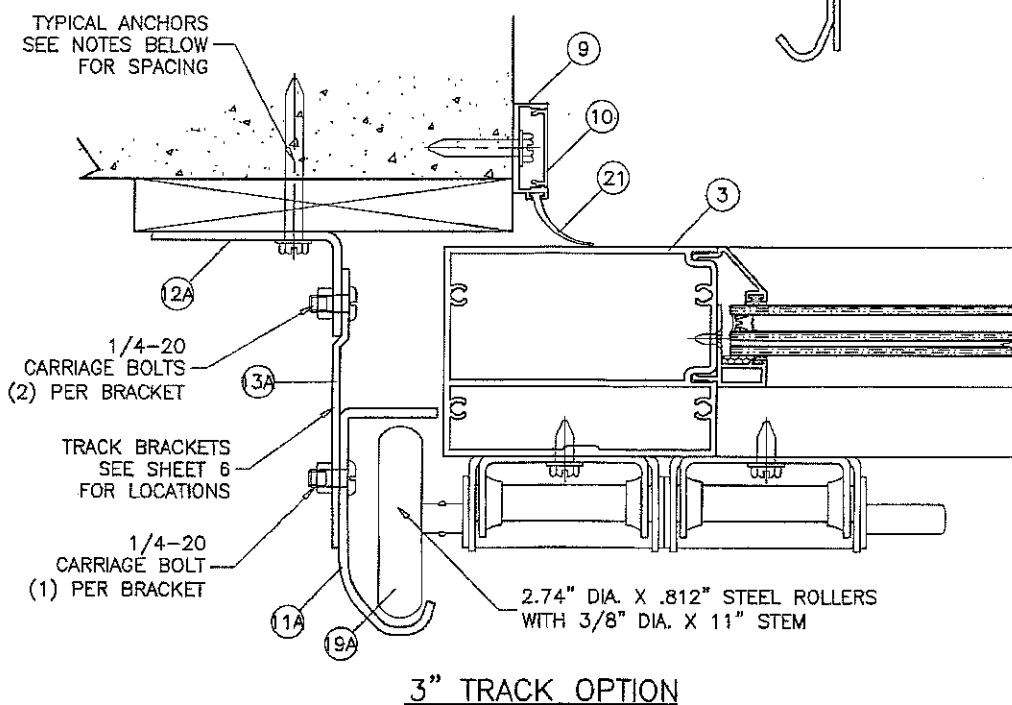
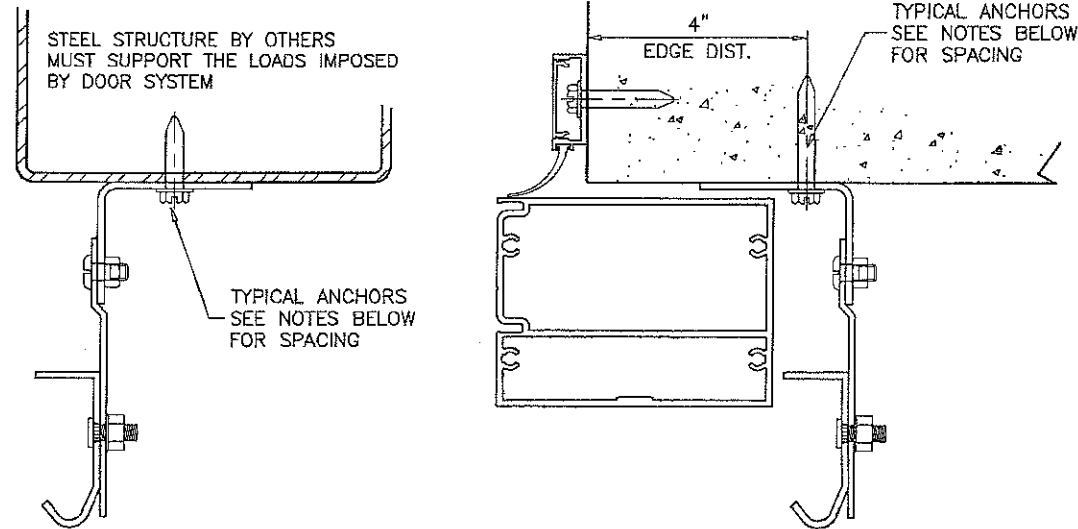
INTO WOOD STRUCTURES
 1-1/2" MIN. PENETRATION INTO WOOD
 AT 2" FROM BOTTOM AND 10" O.C. MAX.

TYPICAL EDGE DISTANCE

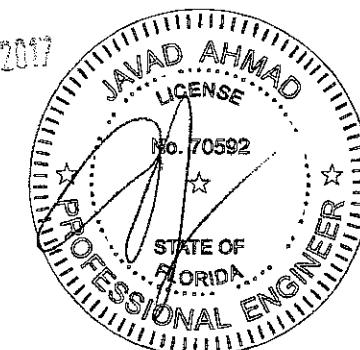
INTO CONCRETE = 3-1/8" MIN.
 INTO FILLED BLOCKS = 2-1/2" MIN.
 INTO WOOD STRUCTURE = 1-1/4" MIN.
 INTO METAL STRUCTURE = 3/4" MIN.

WOOD SG = 0.55 MIN.
 CONCRETE f'c = 3000 PSI MIN.
 C-90 GROUT FILLED BLOCK f'm = 2000 PSI MIN.

SECTION B-B



PRODUCT APPROVED
 as complying with the Florida
 Building Code
 NOA-No. **17-0215.09**
 Approval Date **04/20/2017**
 By *[Signature]*
 Miami-Dade Product Control



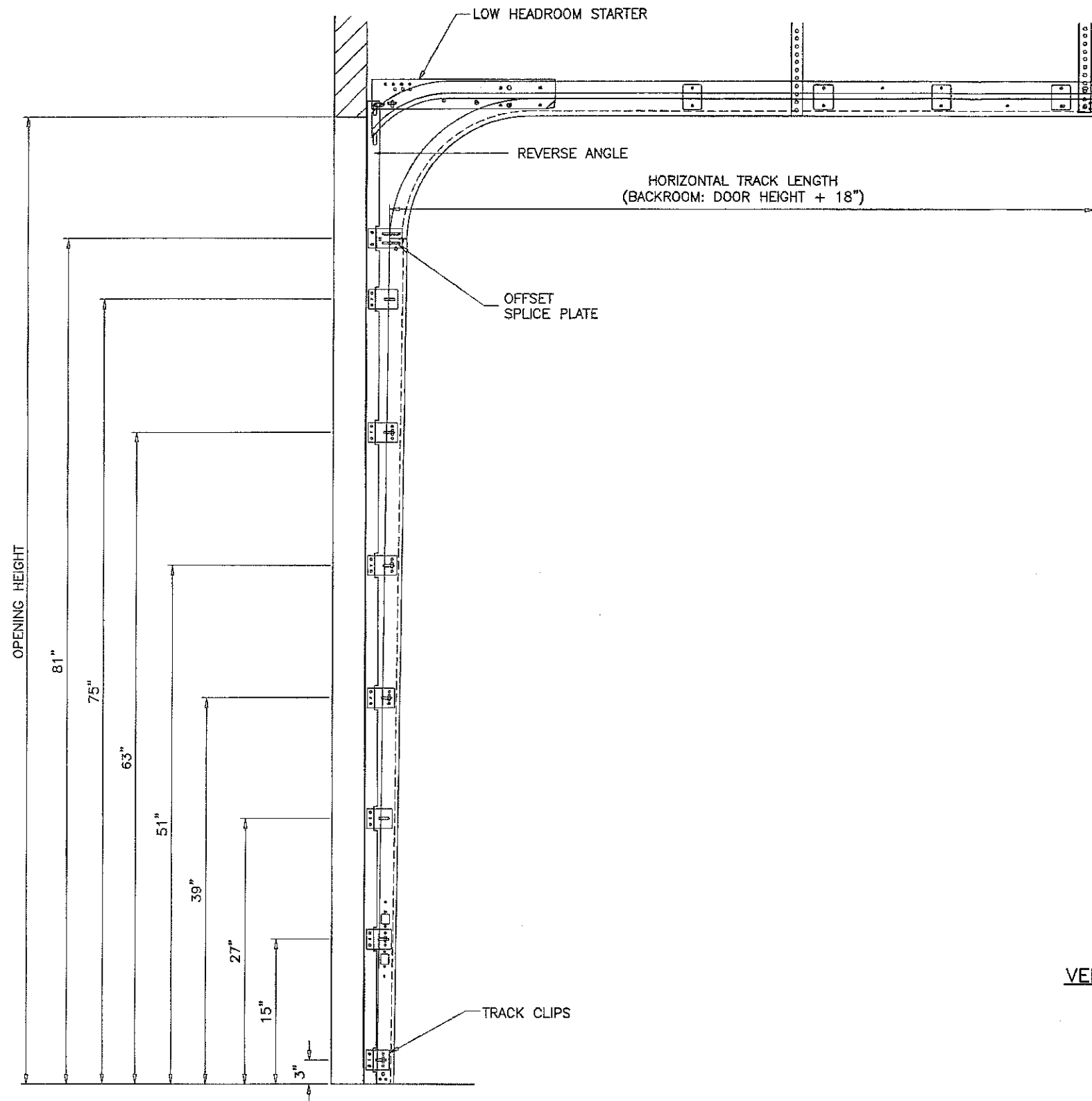
afC
AL-FAROOQ CORPORATION
 ENGINEERS & PRODUCT DEVELOPMENT
 9360 SUNSET DRIVE, SUITE 220
 MIAMI, FLORIDA 33173 (C.A.N. 3538)
 TEL (305) 264-8100 FAX (305) 264-8978
 COMP-ANL\W17-03SIW

S-2000 (12) ALUM/GLASS SECTIONAL GARAGE DOOR (L.M.I.)
SIW IMPACT WINDOWS, LLC.
 975 S. CONGRESS AVE. #102
 DELRAY BEACH, FL. 33445
 TEL (561) 274-9392 FAX (561) 274-9262

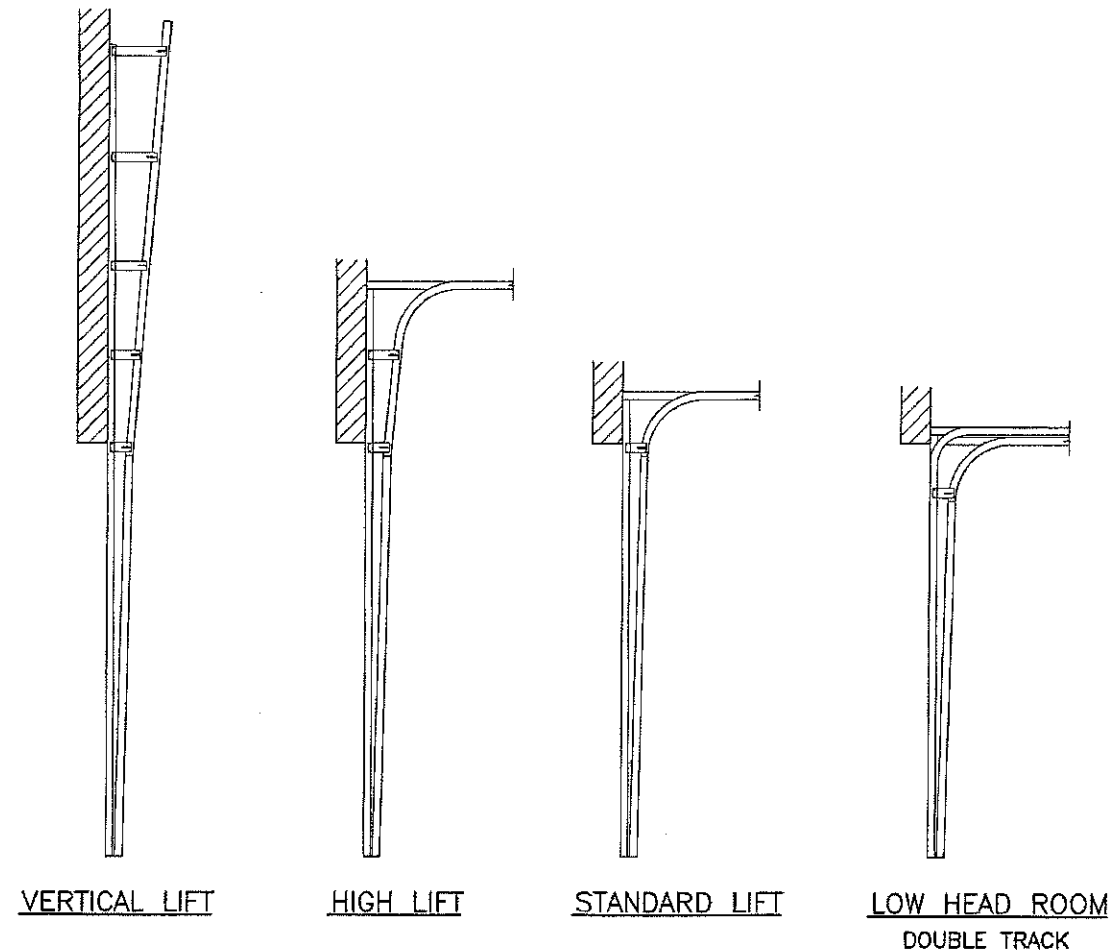
revisions:	no	date	by	description
	A	03.23.17		REV. PER RER COMMENTS

date: 02-09-17
 scale: 3/8" = 1"
 dr. by: TARIQ
 chk. by:

drawing no.
17-03
 sheet 4 of 8



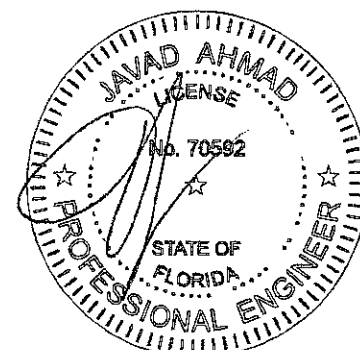
TRACK BRACKET PLACEMENT (2" TRACK)



AVAILABLE TRACK OPTIONS

PRODUCT APPROVED
 as complying with the Florida
 Building Code
 NOA-No. **17-0215.09**
 Approval Date **04/20/2017**
 By *[Signature]*
 Miami-Dade Product Control

MAR 29 2017



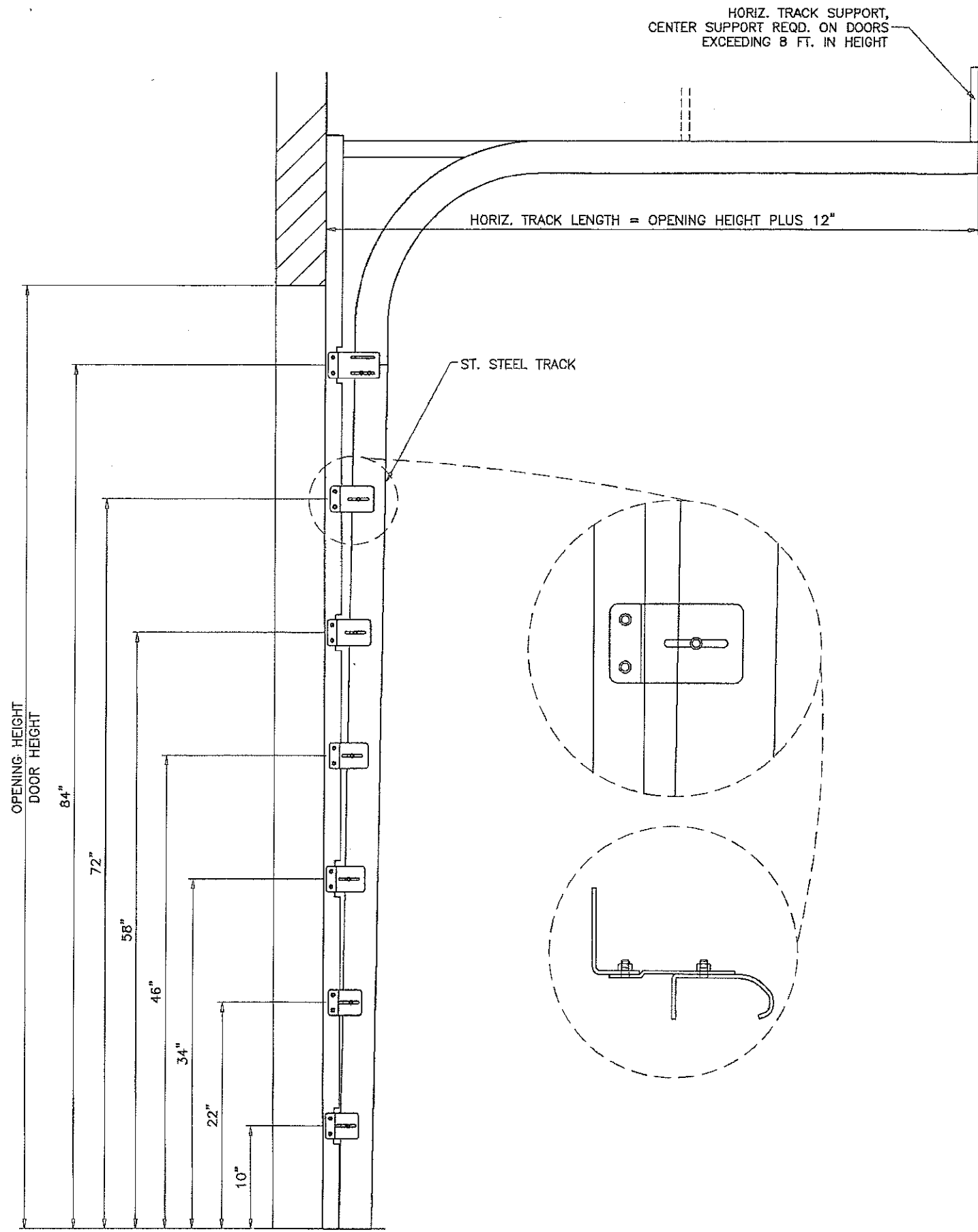
af c
AL-FAROOQ CORPORATION
 ENGINEERS & PRODUCT DEVELOPMENT
 9360 SUNSET DRIVE, SUITE 220
 MIAMI, FLORIDA 33173 (C.A.N. 8538)
 TEL (305) 262-6978 FAX (305) 264-8100
 COMP-ANL\W17-03SIW

S-2000 (12) ALUM/GLASS SECTIONAL GARAGE DOOR (L.M.I.)
SIW IMPACT WINDOWS, LLC.
 975 S. CONGRESS AVE. #102
 DELRAY BEACH, FL. 33445
 TEL. (561) 274-9392 FAX. (561) 274-9262

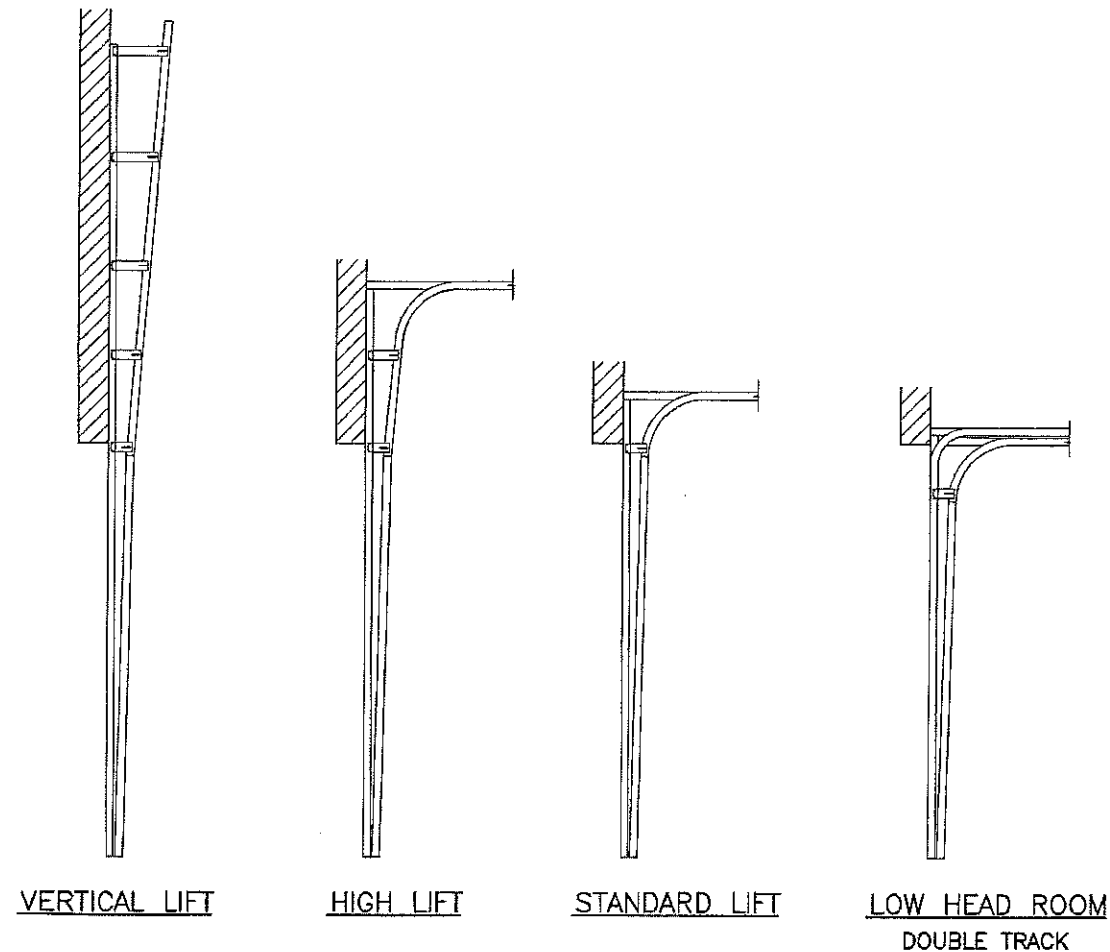
revisions:		no	date	description
A	03.23.17			NO CHANGE THIS SHEET

date:	02-09-17	scale:	-
dr. by:	TARIQ	chk. by:	

drawing no.	17-03
sheet	5 of 8



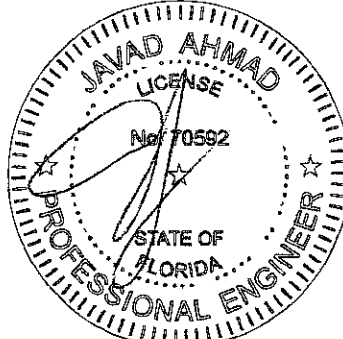
TRACK BRACKET PLACEMENT (3" TRACK)



AVAILABLE TRACK OPTIONS

PRODUCT APPROVED
 as complying with the Florida
 Building Code
 NOA-No. **17-0215.09**
 Approval Date **04/20/2017**
 By *[Signature]*
 Miami-Dade Product Control

MAR 29 2017



afc

AL-FAROOQ CORPORATION
 ENGINEERS & PRODUCT DEVELOPMENT
 9360 SUNSET DRIVE, SUITE 220
 MIAMI, FLORIDA 33173 (C.A.#. 3538)
 TEL. (305) 264-8100 FAX. (305) 262-6978
 COMP-ANL \V17-03SIW

S-2000 (12) ALUM/GLASS SECTIONAL GARAGE DOOR (L.M.I.)
SIW IMPACT WINDOWS, LLC.
 975 S. CONGRESS AVE. #102
 DELRAY BEACH, FL. 33445
 TEL. (561) 274-9392 FAX. (561) 274-9262

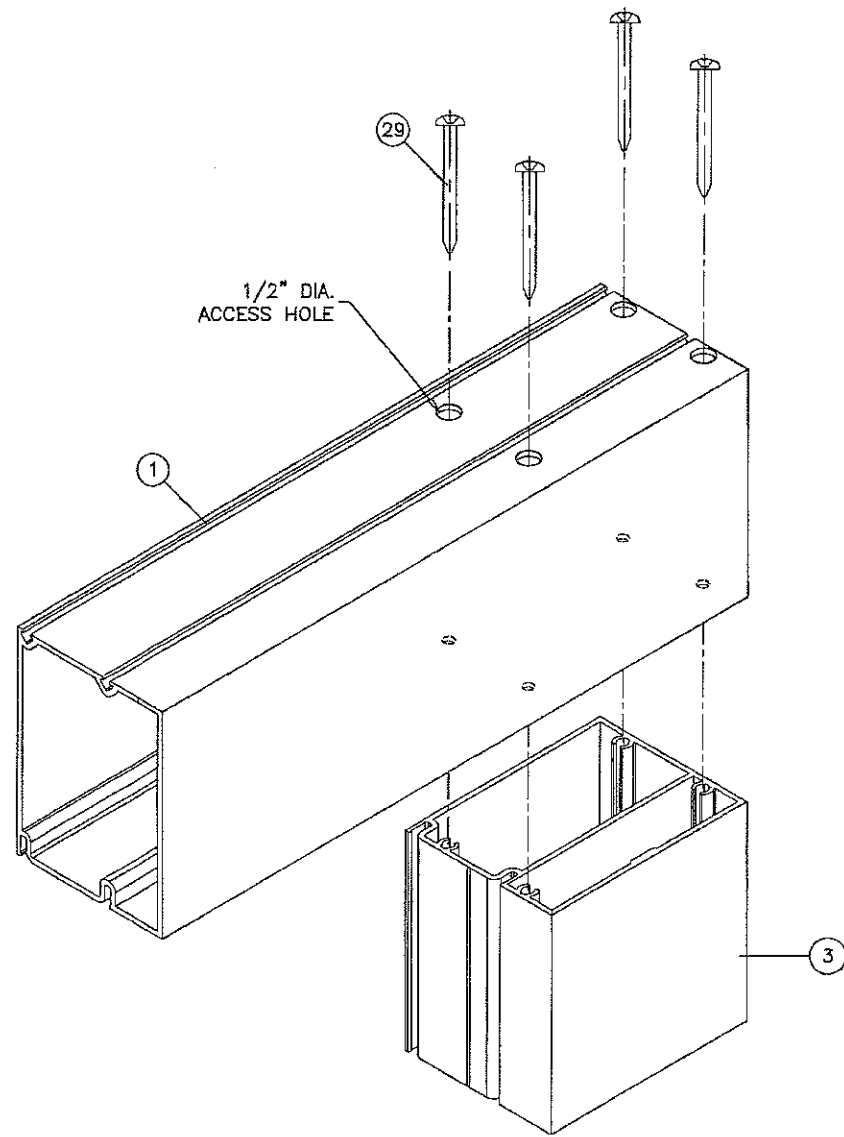
no	date	by	description
A	03.23.17		NO CHANGE THIS SHEET

revisions:

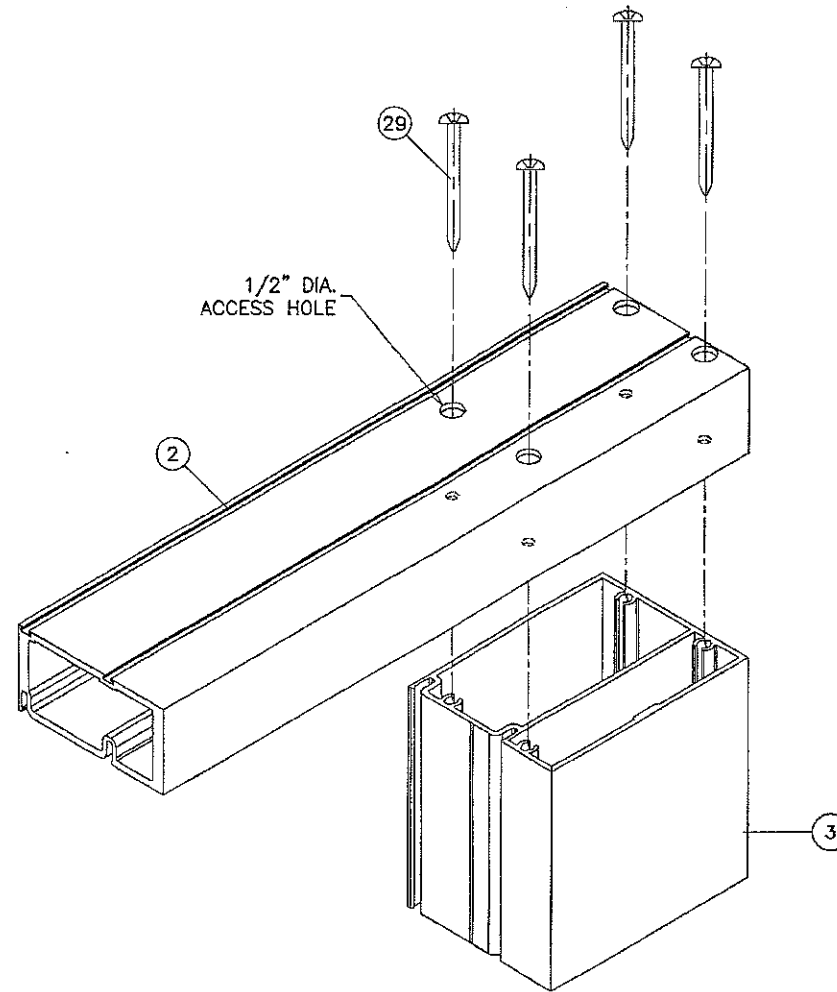
date: 02-09-17
 scale: -
 dr. by: TARIQ
 chk. by:

drawing no.
17-03

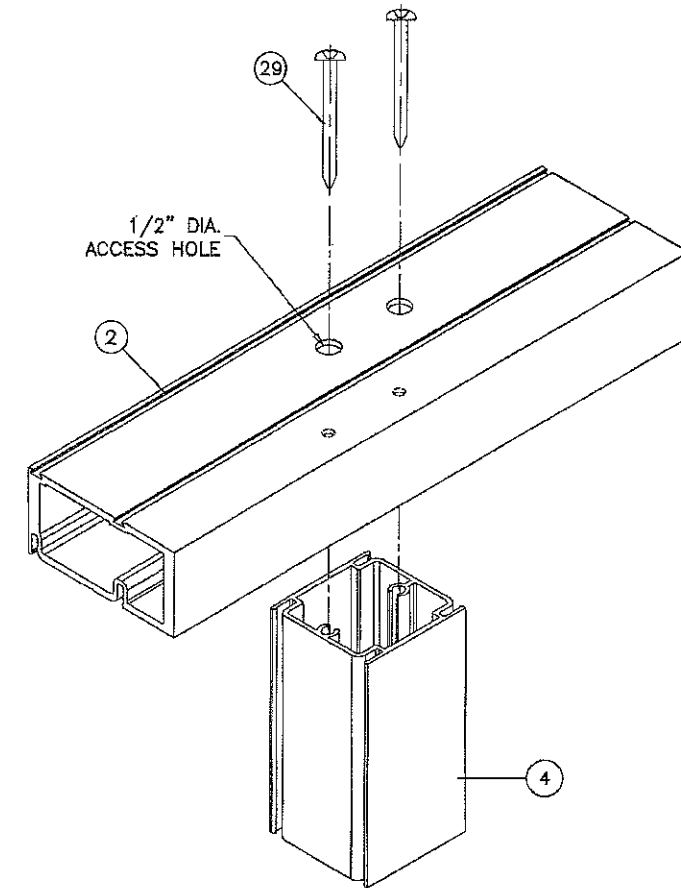
sheet 6 of 8



TOP/BOTTOM RAIL CORNER



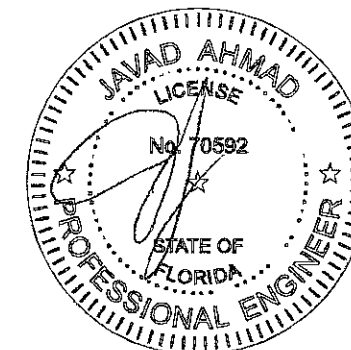
INTERMEDIATE RAIL CORNER



DIVIDER STILE CORNER

PRODUCT APPROVED
 as complying with the Florida
 Building Code
 NOA-No. **17-0215.09**
 Approval Date **04/20/2017**
 By *[Signature]*
 Miami-Dade Product Control

MAR 29 2017



af c

AL-FAROOQ CORPORATION
 ENGINEERS & PRODUCT DEVELOPMENT
 9360 SUNSET DRIVE, SUITE 220
 MIAMI, FLORIDA 33173 (C.A.N. 3538)
 TEL (305) 264-8100 FAX (305) 262-8978
 COMP-ANL\W17-03SIW

S-2000 (12) ALUM/GLASS SECTIONAL GARAGE DOOR (L.M.I.)
SIW IMPACT WINDOWS, LLC.
 975 S. CONGRESS AVE. #102
 DELRAY BEACH, FL. 33445
 TEL (561) 274-9392 FAX (561) 274-9262

no	date	by	description
A	03.23.17		REV. PER RER COMMENTS

date: 02-09-17
 scale: 3/8" = 1"
 dr. by: TARIQ
 chk. by:

drawing no.
17-03

sheet 8 of 8